

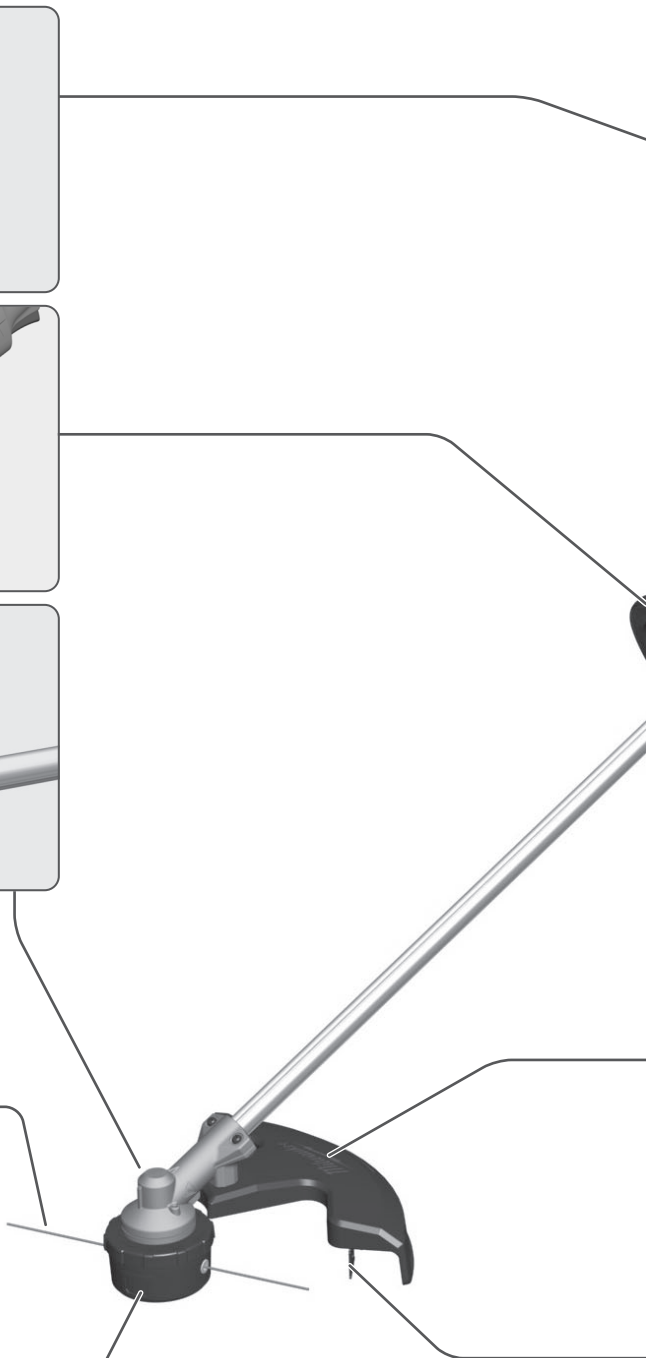
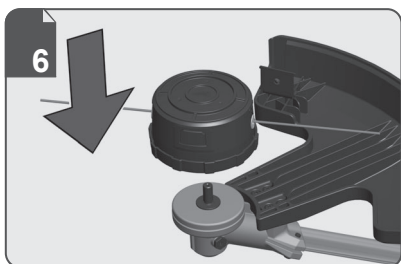
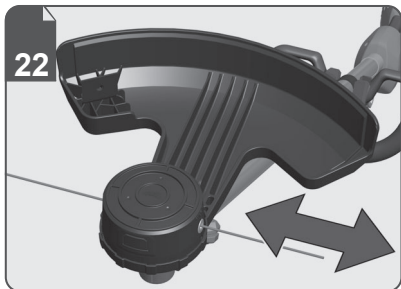
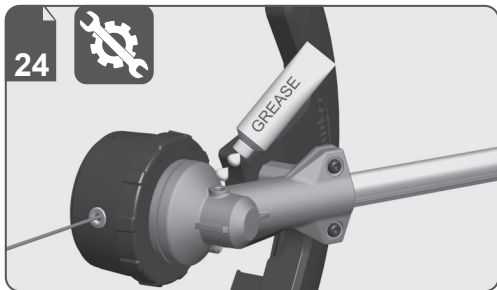
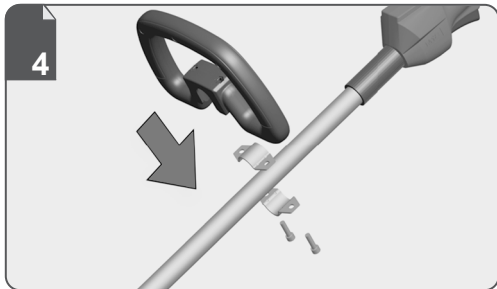
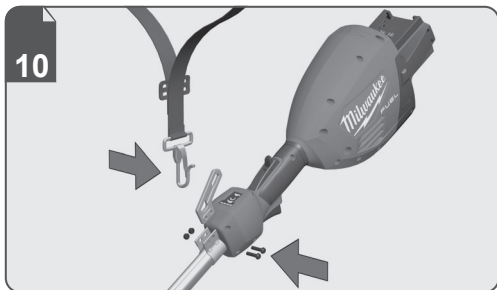
Milwaukee™

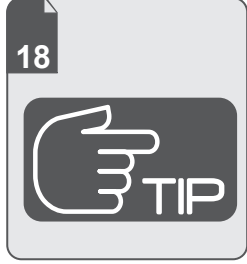
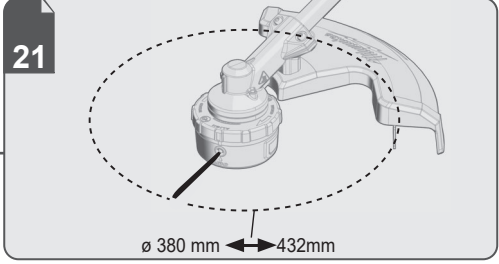
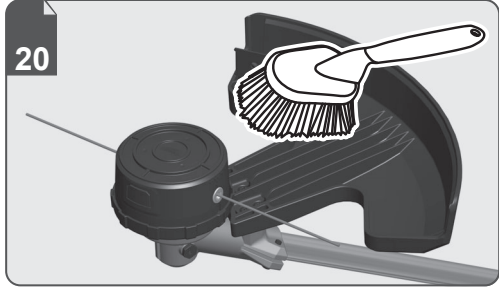
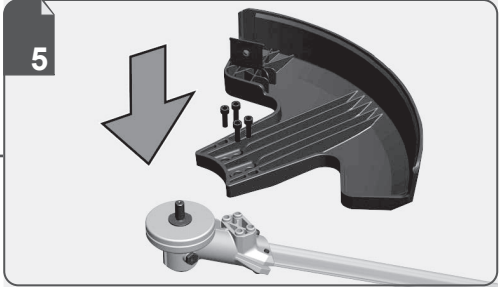
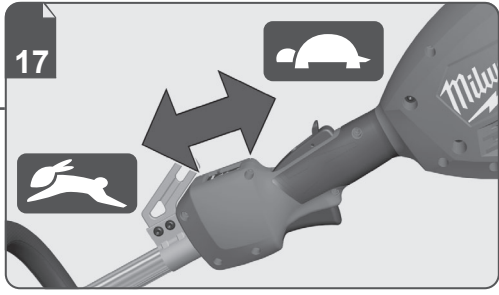
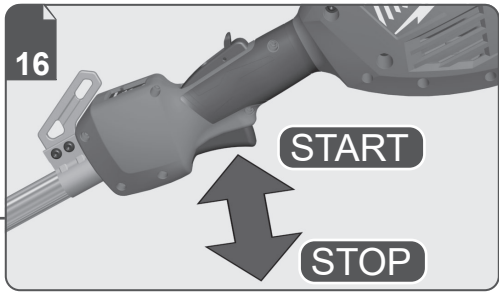
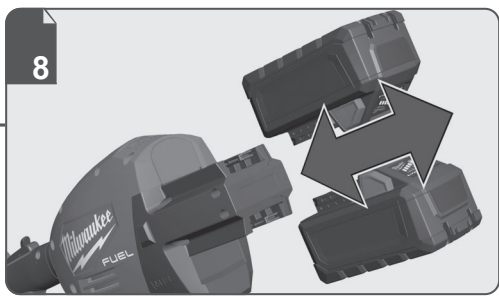
Nothing but **HEAVY DUTY.**™

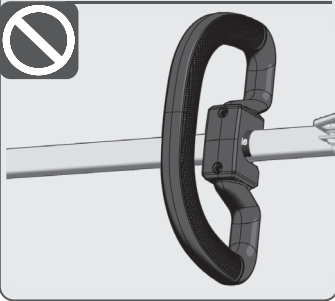
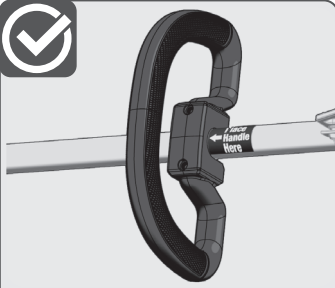
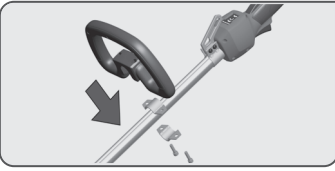


M18 F2GTR

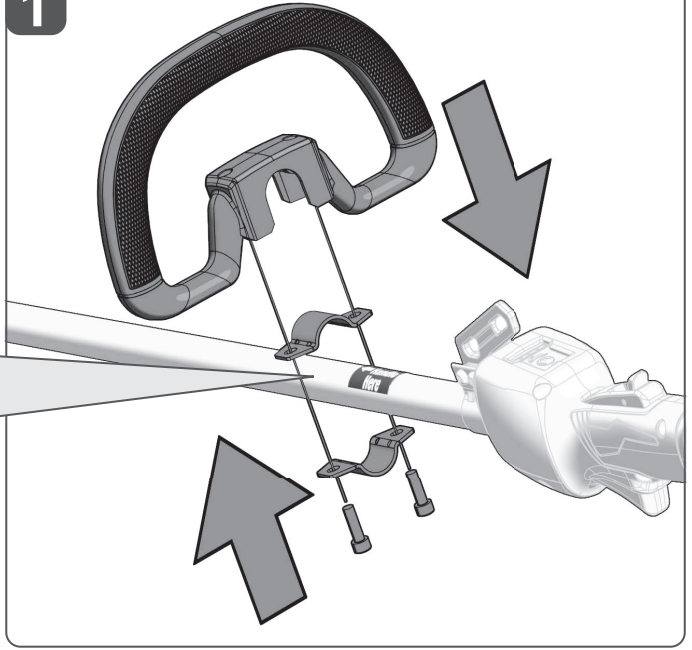
- ⓔ User Manual
- ⓩ 操作指南
- ⓩ 操作指南
- Ⓚ 사용시 주의사항
- Ⓣ คู่มือการใช้งาน
- Ⓜ Buku Petunjuk Pengguna
- Ⓥ Cẩm nang hướng dẫn sử dụng
- Ⓜ 取扱説明書



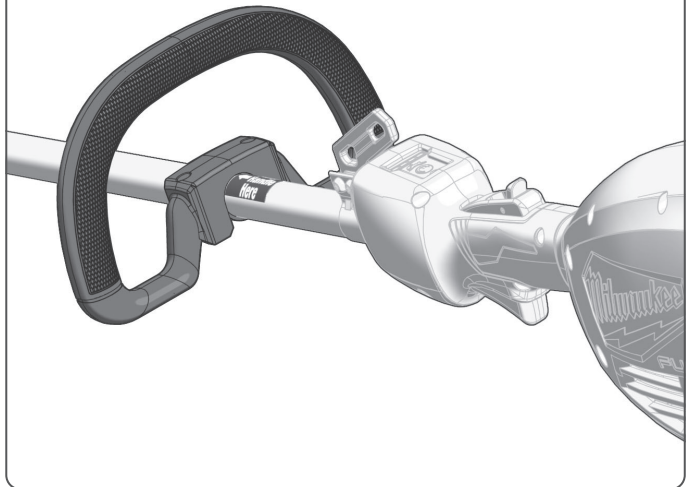


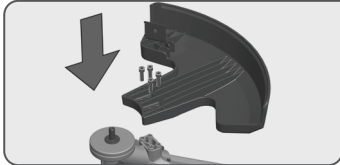


1

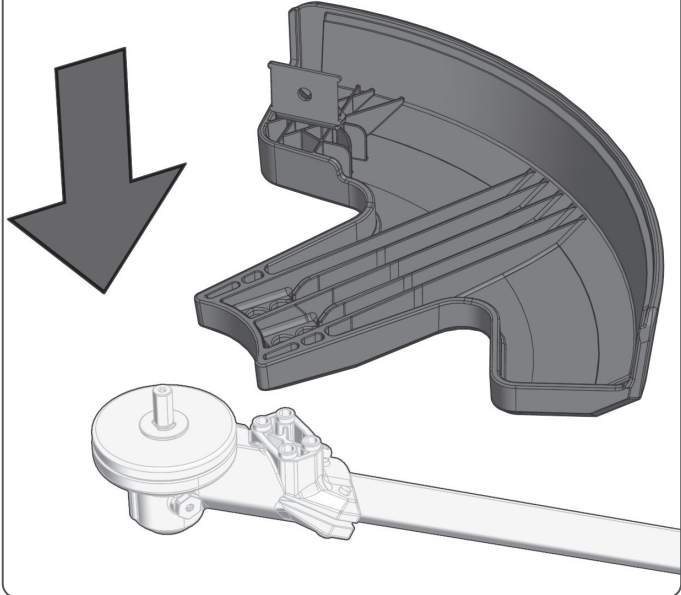


2

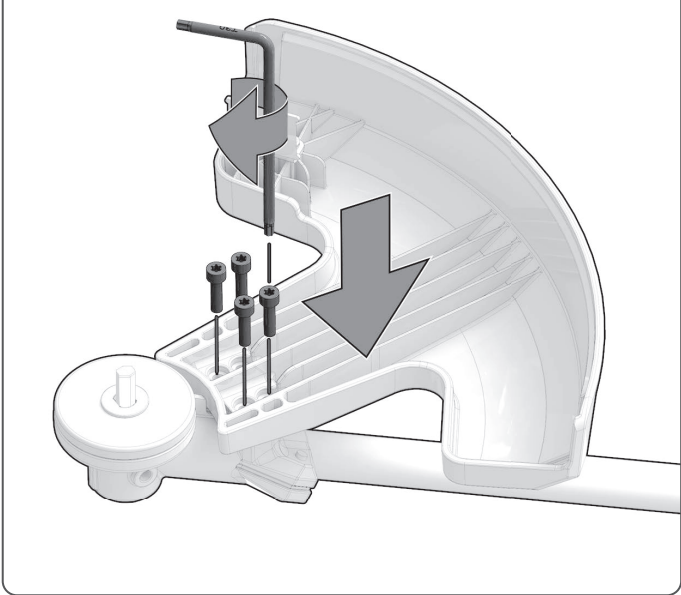


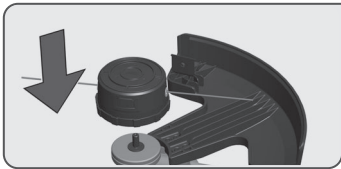


1

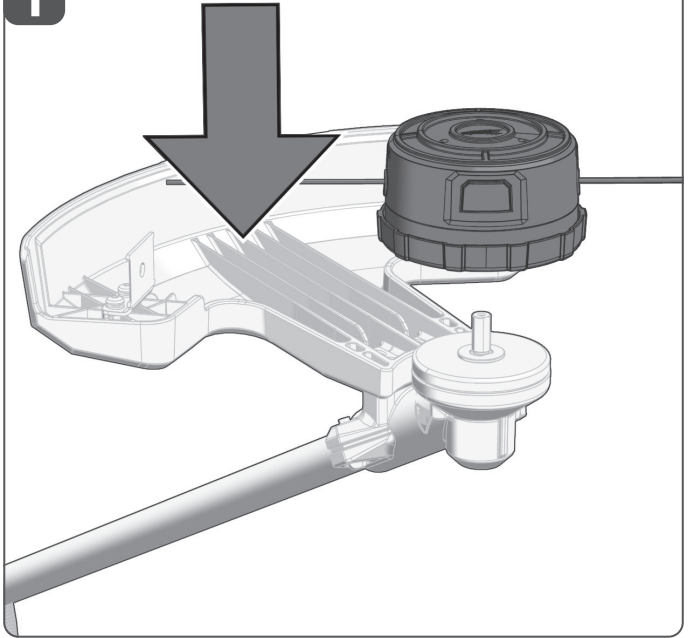


2

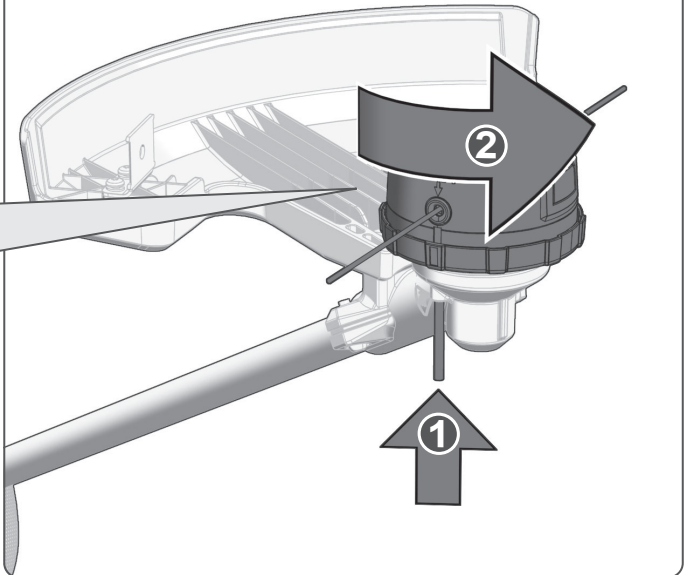
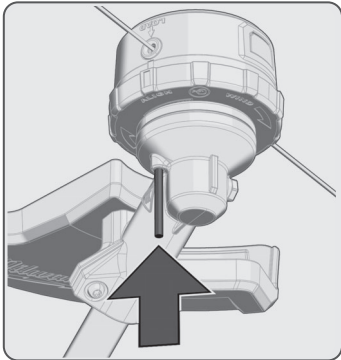


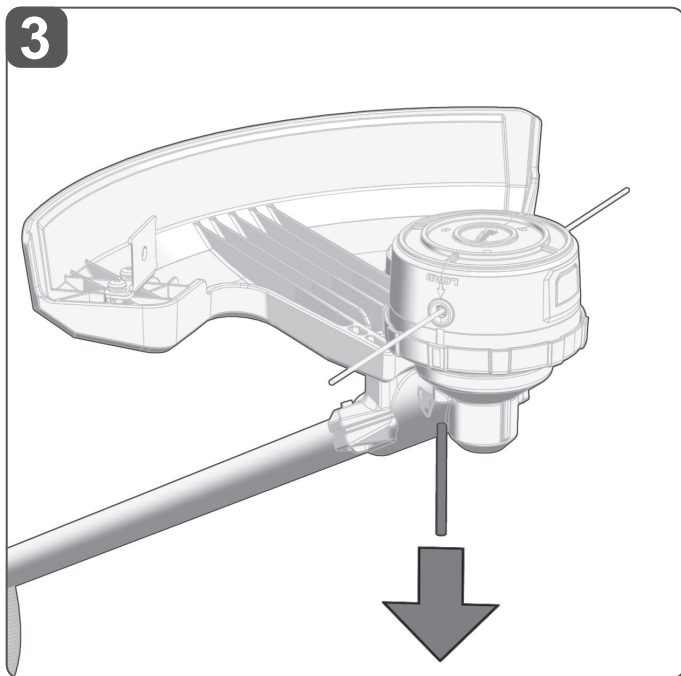


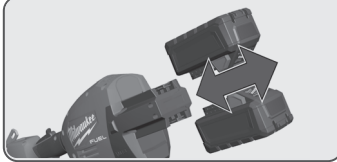
1



2







Remove the battery pack before starting any work on the product.

對產品進行任何工作前，先移除電池組。

在开始任何工作之前，请先取出电池。

제품을 청소하거나 분리하기 전, 배터리 팩을 제거하십시오.

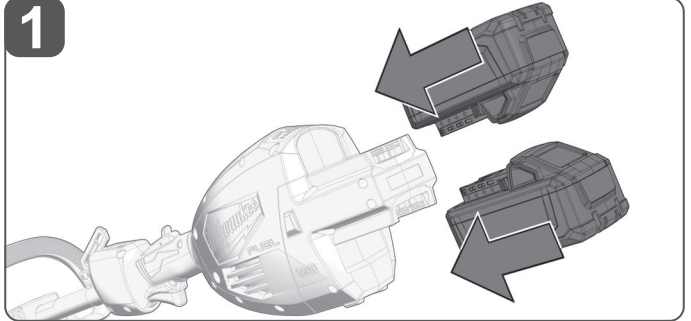
ถอดแบตเตอรี่ออกก่อนเริ่มการใช้งาน

Lepaskan paket baterai sebelum memulai pekerjaan apa pun pada produk.

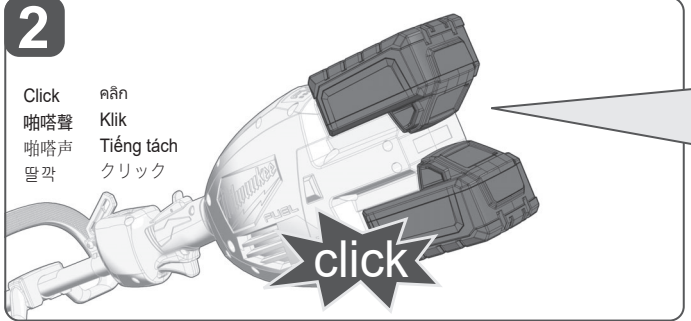
Tháo pin trước khi bắt đầu thao tác với sản phẩm.

作業前の調整時や保守・点検時は、本体からバッテリーを取り外してください。

1

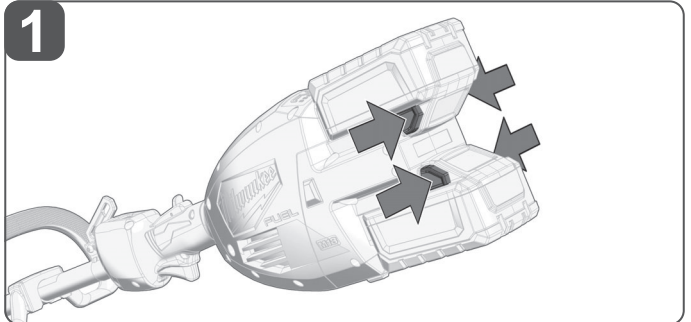


2

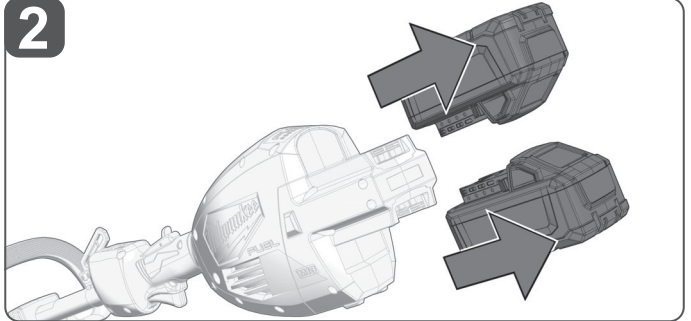


Click คลิก
啪嗒聲 Klik
啪嗒声 Tiếng tách
딸깍 클리ッ

1



2





The product only runs with 2 battery packs.

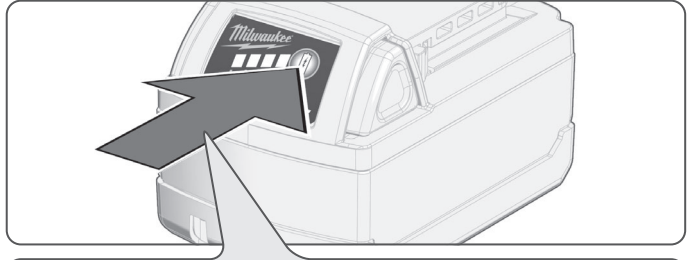
此工具須使用 2 個電池組運行。
此工具須使用 2 個電池組運行。
이 제품은 2개의 배터리만으로 작동합니다.

ผลิตภัณฑ์นี้ทำงานด้วยแบตเตอรี่ 2 ก้อนเท่านั้น

Produk ini dijalankan hanya dengan 2 baterai.

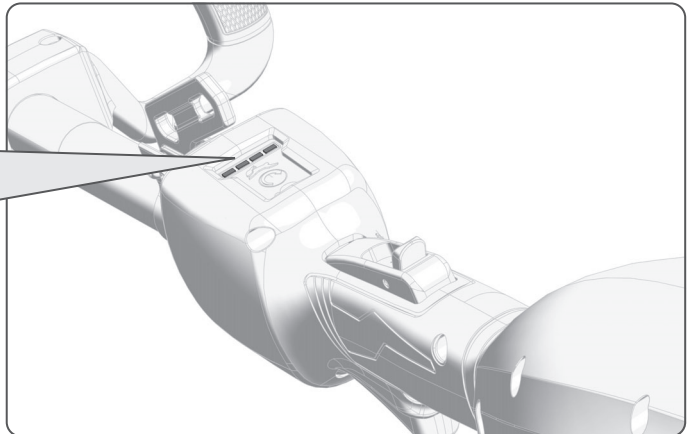
Sản phẩm chỉ chạy với 2 pin.

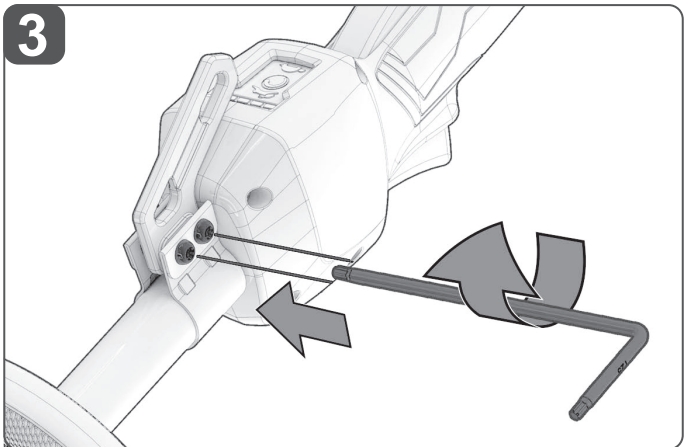
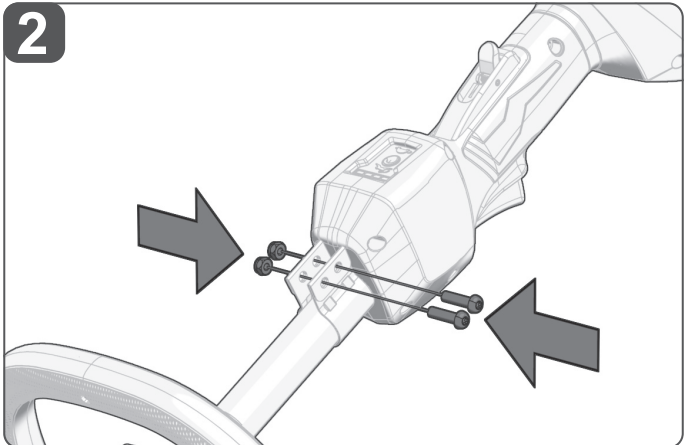
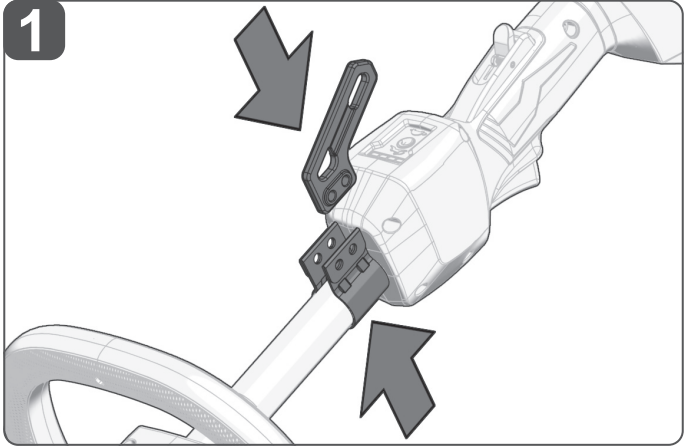
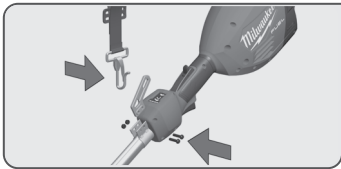
本製品は2個のバッテリーのみで動作します。

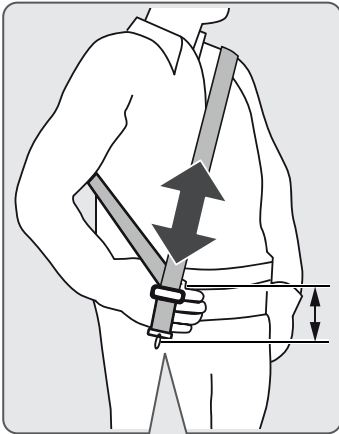
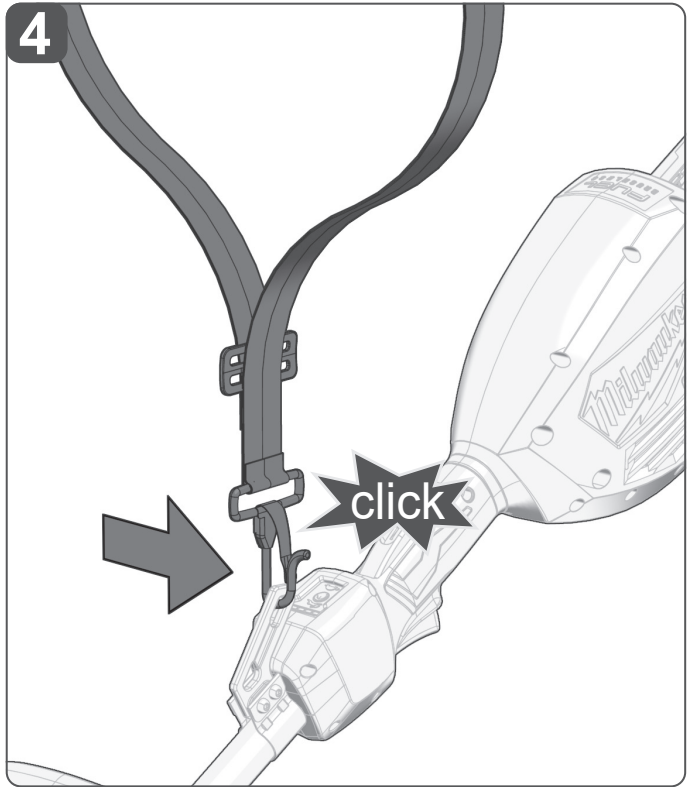


		75-100 %	
		50-75 %	
		30-50 %	
		10-30 %	
		< 10 %	

10-30%	30-50%	50-75%	75-100%







Adjust the strap. The carabiner should be a hand's width below the hip.

調整肩帶。登山扣應在臀部下方一隻手的寬處。

調整肩帶。登山扣應在臀部下方一只手的寬處。

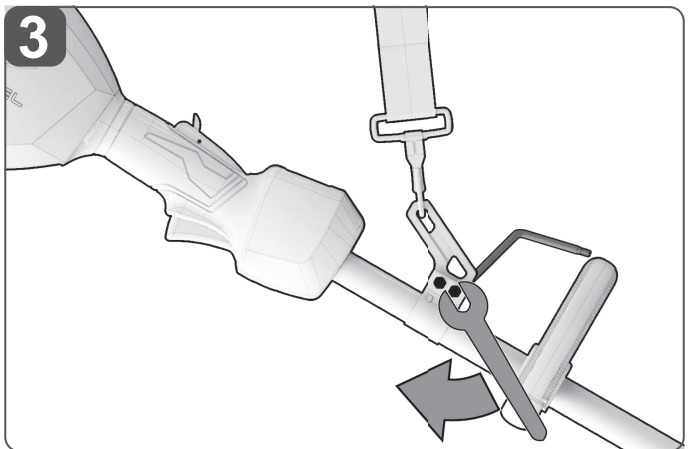
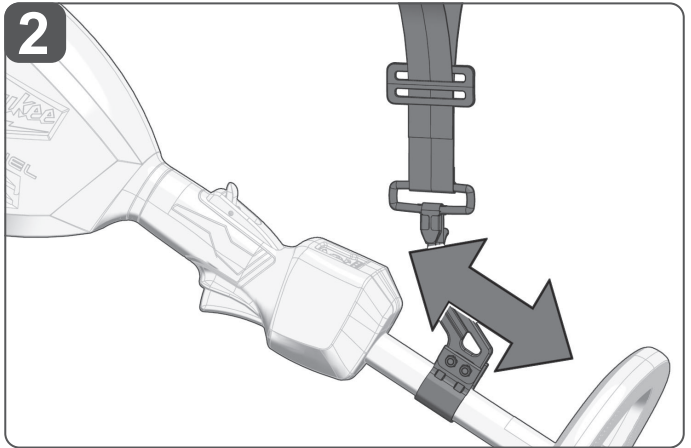
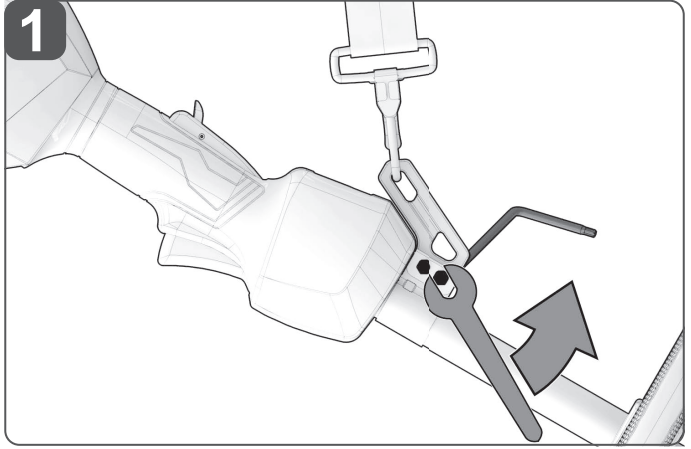
스트랩을 조정하십시오. 카라비너는 엉덩이 아래 손 너비에 있어야 합니다.

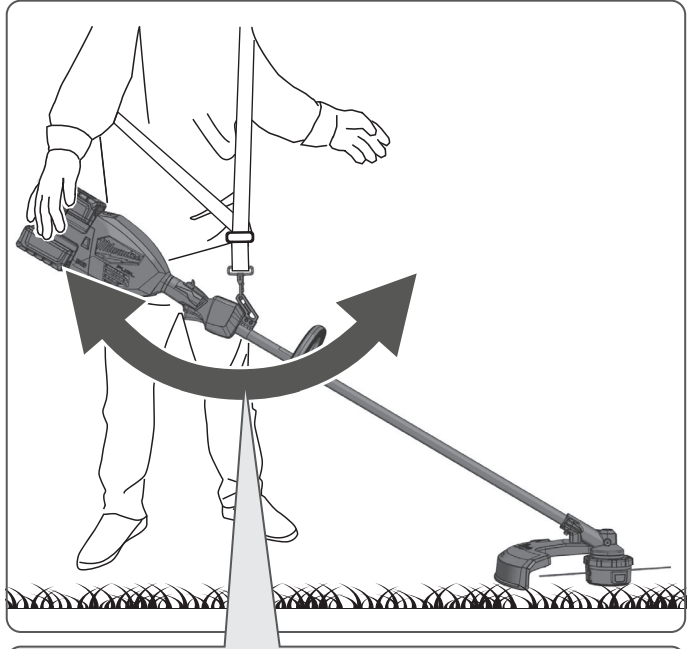
ปรับสายรัด ตะขอเกี่ยวควรอยู่ที่ระดับมือใต้สะโพก

Atur tali pengikat. Carabiner harus berada satu tangan di bawah pinggul Anda.

Điều chỉnh dây. Móc đa năng phải có độ rộng bằng bàn tay ở dưới hông bạn.

ストラップを調節します。カラビナの位置は、腰から手の幅1つ分下の所にご覧ください。





Level the product The trimmer head touch lightly the ground.

平放產品。切割頭應輕輕接觸地面。

平放本工具。割草机机头应轻轻接触地面。

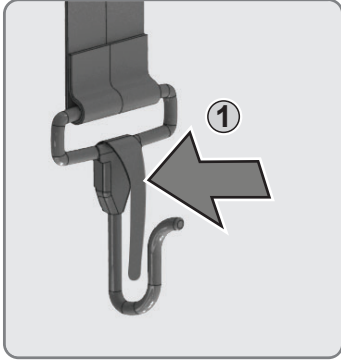
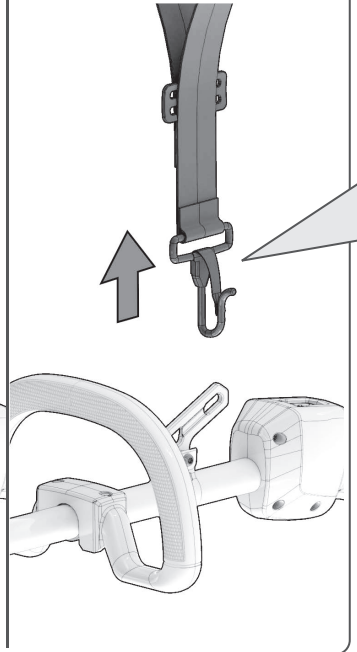
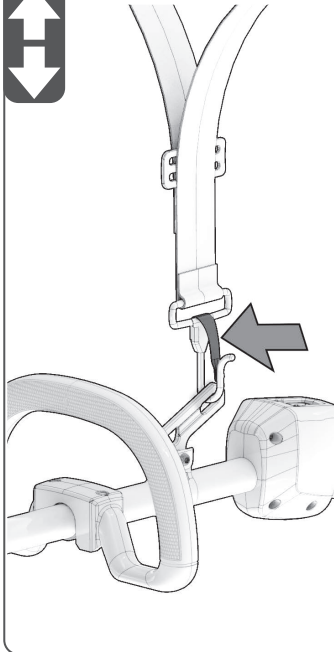
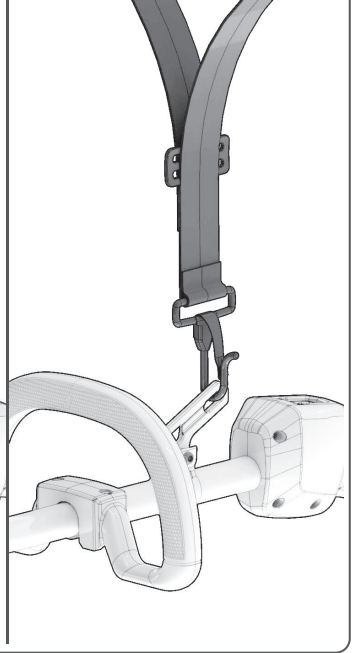
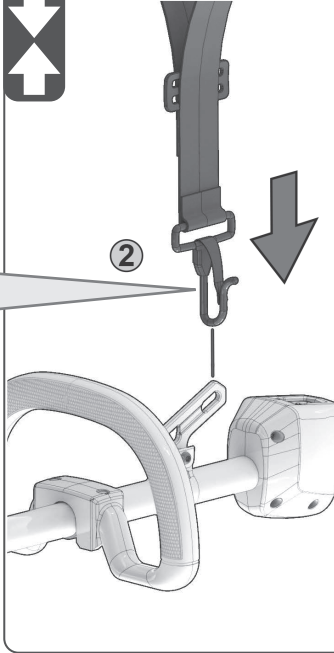
제품을 평평하게 놓습니다. 트리머 헤드가 바닥에 가볍게 닿습니다.

จัดตำแหน่งผลิตภัณฑ์ หัวเครื่องเล็มหญ้าสัมผัสกับพื้นดินเล็กน้อย

Sejajarkan produk. Kepala pemangkas rumput sedikit menyentuh tanah.

Đề sản phẩm cân bằng. Đầu máy cắt chạm nhẹ vào mặt đất.

本製品を水平にします。トリマーヘッドで地面に軽く触れます。



Quick release: In case of imminent danger, the product must be jettisoned quickly. To do this, open the lock and set down the product. Practise quick release. Do not throw the product during practice.

快速釋放：在迫在眉睫的危險情況下，必須迅速拋棄產品。為此，打開鎖並放下產品。按下快速釋放。按下時請勿拋出產品。

快速释放：在迫在眉睫的危險情況下，必須迅速拋棄本工具。为此，請打開並放下本工具。练习快速释放。练习时请勿抛出本工具。

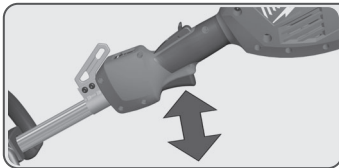
신속 해제: 위험이 임박한 경우, 제품을 신속하게 포기해야 합니다. 이를 위해 잠금 장치를 개방하고 제품을 내려 놓습니다. 신속하게 해제합니다. 신속하게 해제하는 동안 제품을 던지지 마십시오.

การปลดอุปกรณ์แบบเร็ว: ในกรณีที่จะเกิดอันตรายรุนแรง ต้องรีบปลดอุปกรณ์ให้อย่างรวดเร็ว ซึ่งทำได้โดยเปิดล็อกแล้ววางอุปกรณ์ลง ให้ฝึกปลดอุปกรณ์แบบเร็ว อย่าโยนผลิตภัณฑ์ขณะฝึก

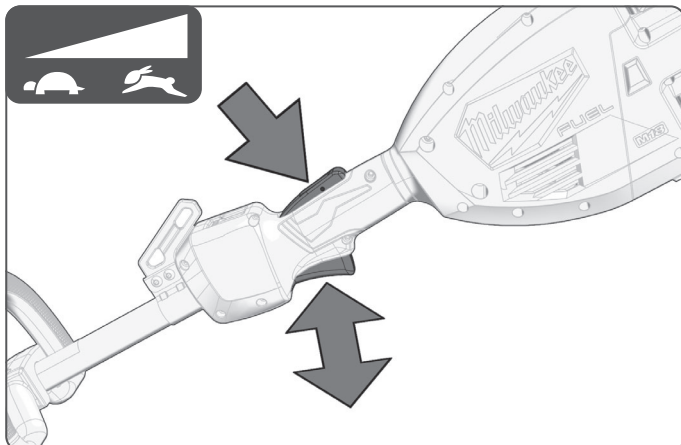
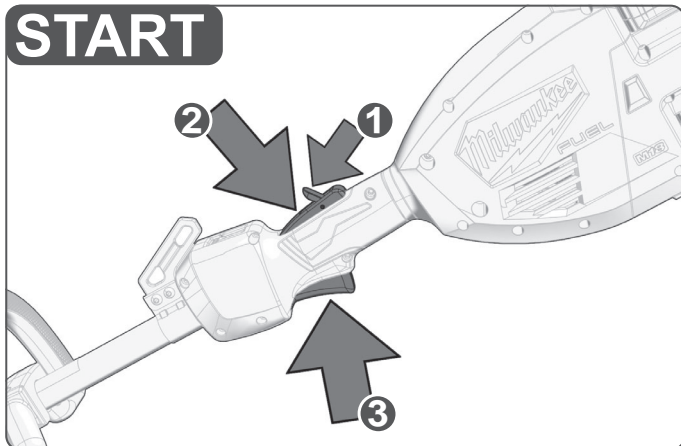
Pelepasan cepat: Jika terjadi bahaya, produk harus segera dilepaskan. Untuk melakukan ini, buka kunci dan letakkan produk. Latih pelepasan cepat. Jangan melempar produk selama latihan.

Nhà nhanh: Trong trường hợp sắp xảy ra nguy hiểm, phải bỏ sản phẩm ra thật nhanh. Để làm được việc này, hãy mở khóa và đặt sản phẩm xuống. Thực hành nhà nhanh. Không ném sản phẩm trong quá trình thực hành.

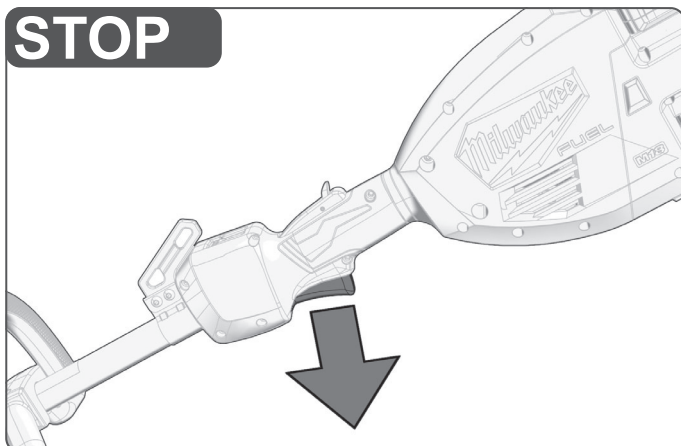
クイックリリース: 差し迫った危険がある場合、本製品は即座に放り投げる必要があります。これを行うには、ロックを開き、本製品を下に置きます。クイックリリースを練習してください。練習中に本製品を投げないでください。



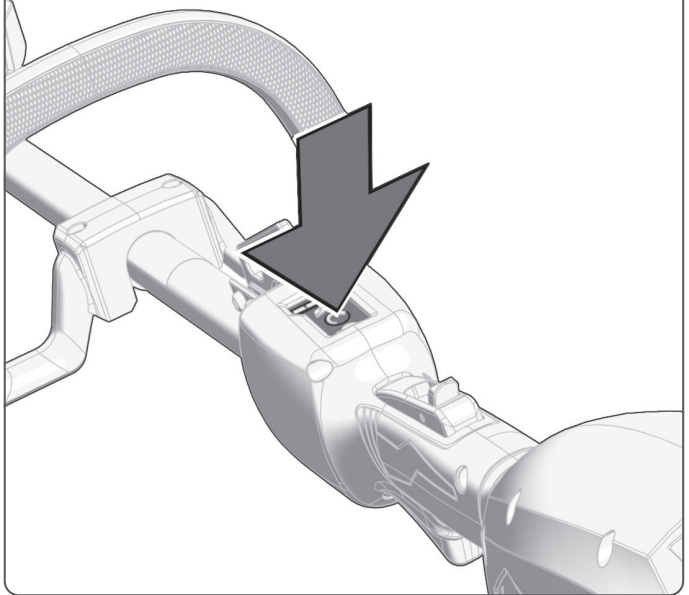
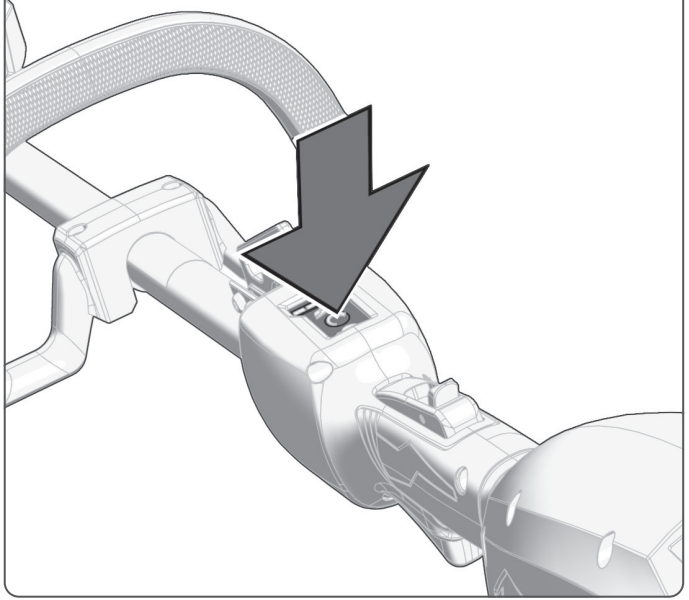
START

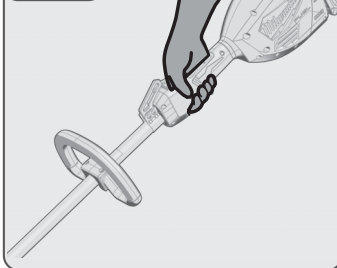
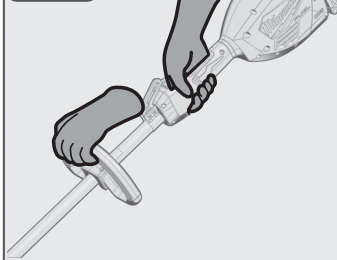


STOP



Start	Stop
開始	停止
시작	정지
สตาร์ท	หยุดเครื่อง
Mulai	Berhenti
Khởi động	Dừng
スタート	ストップ





min. 30 cm

Insulated gripping surface

絶縁の抓握表面

绝缘的抓握表面

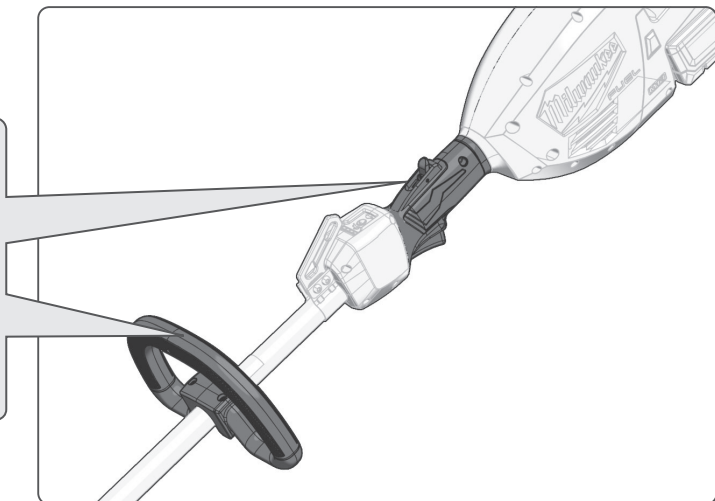
절연 그립 표면

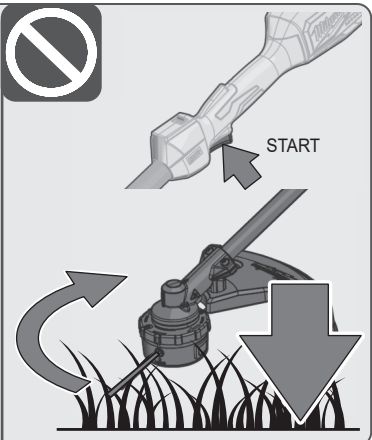
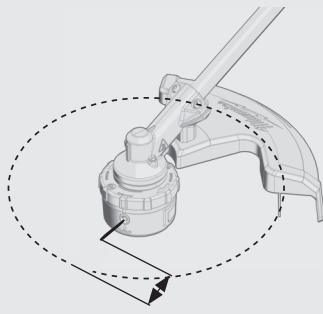
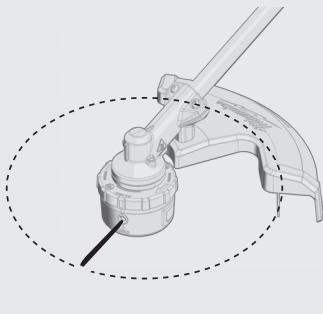
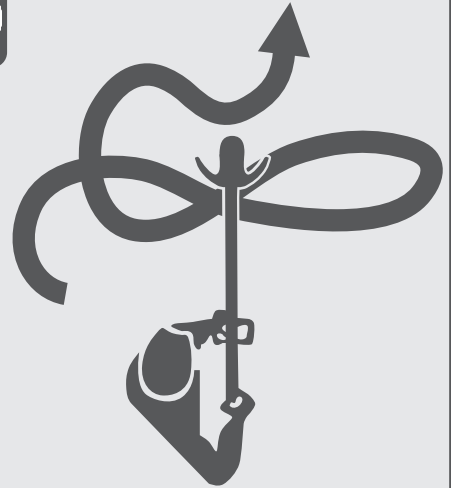
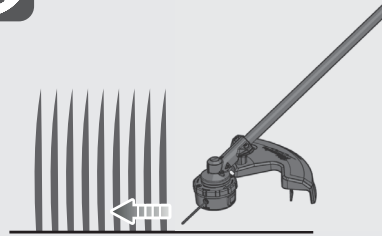
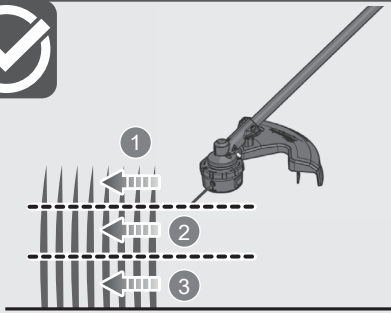
พื้นผิวจับกันความร้อน

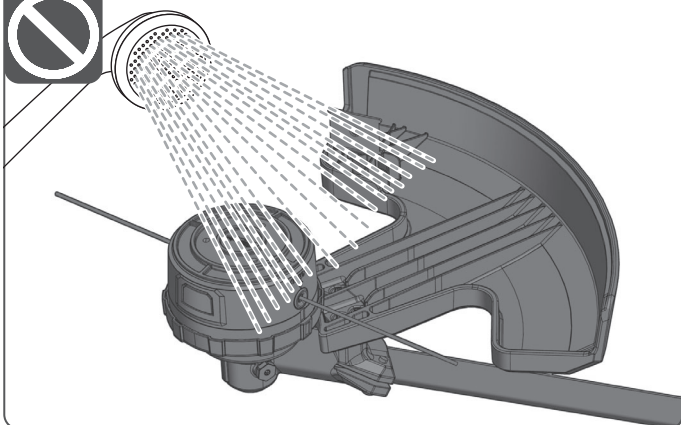
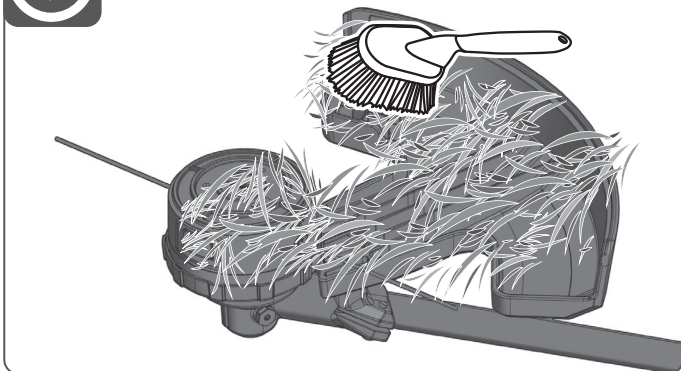
Permukaan genggam berinsulasi

Bề mặt tay cầm được cách điện

絶縁グリップ面

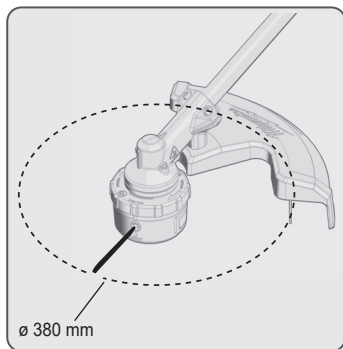
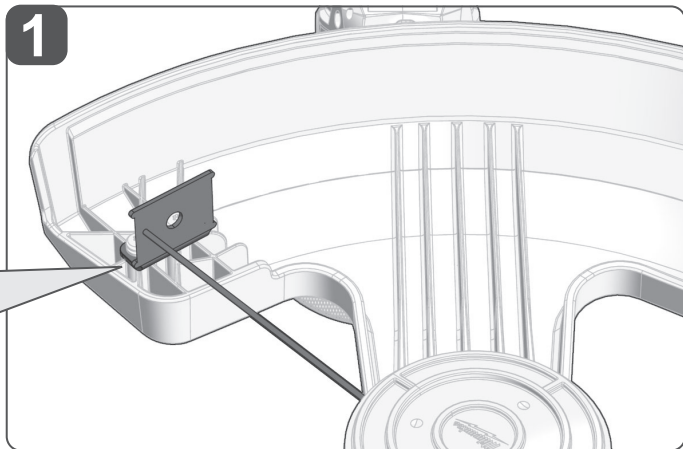




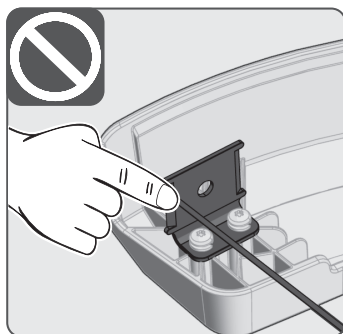
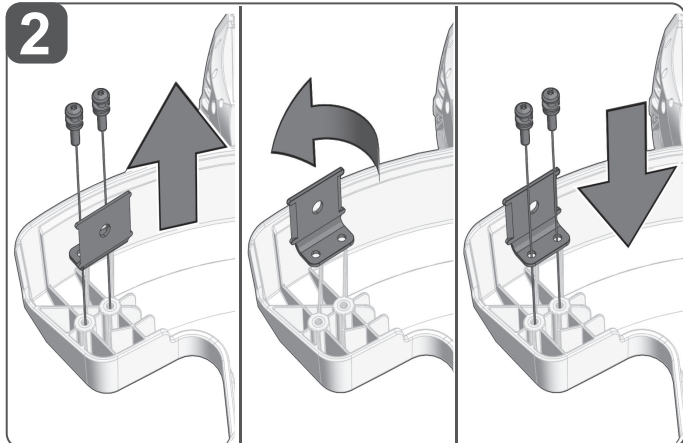




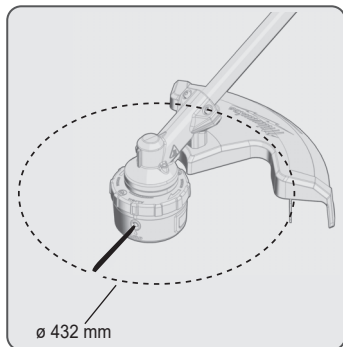
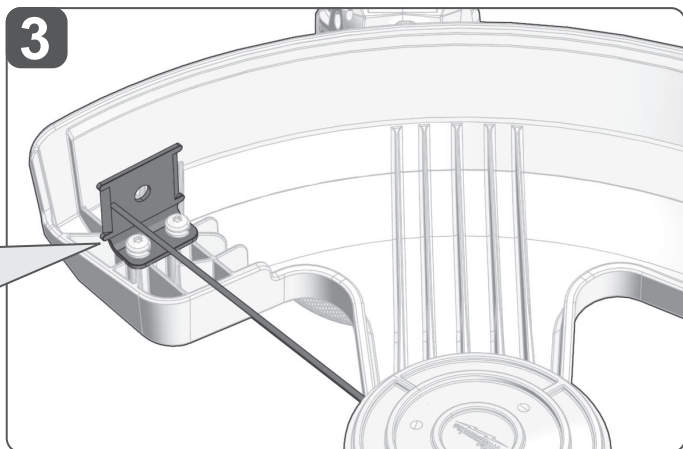
1



2

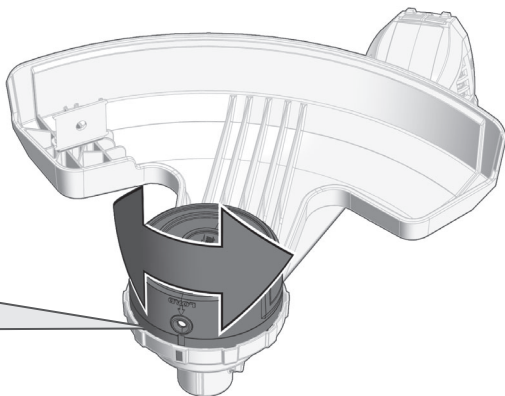


3

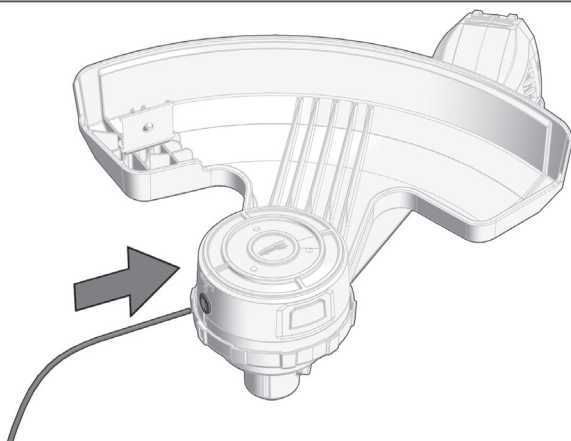




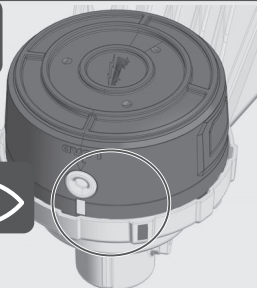
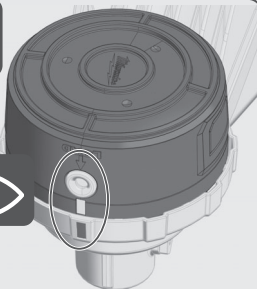
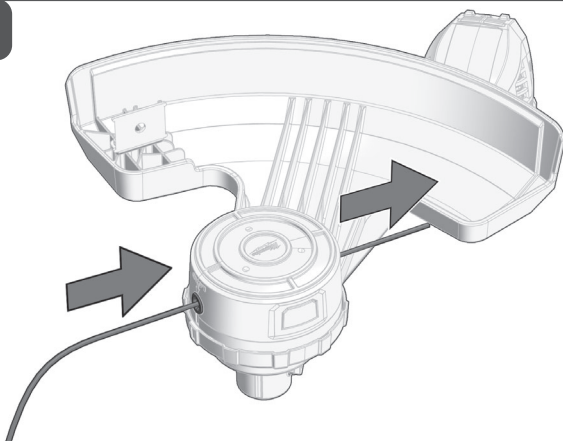
1

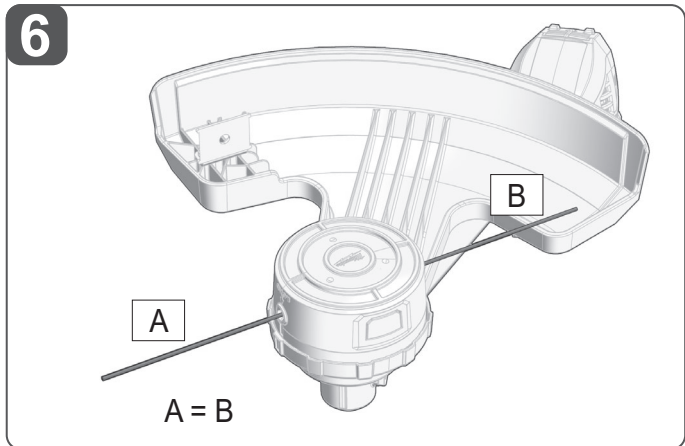
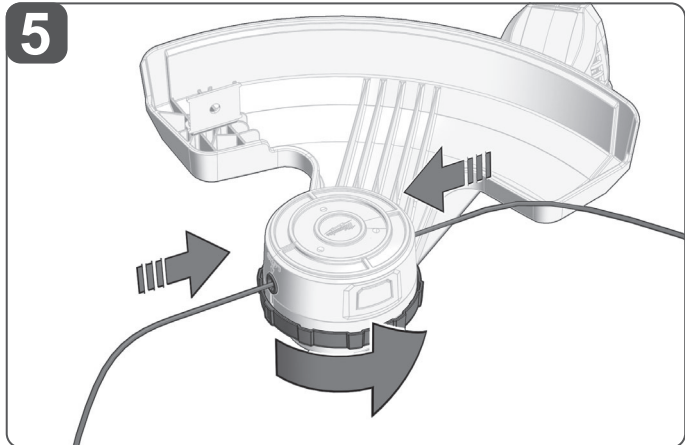
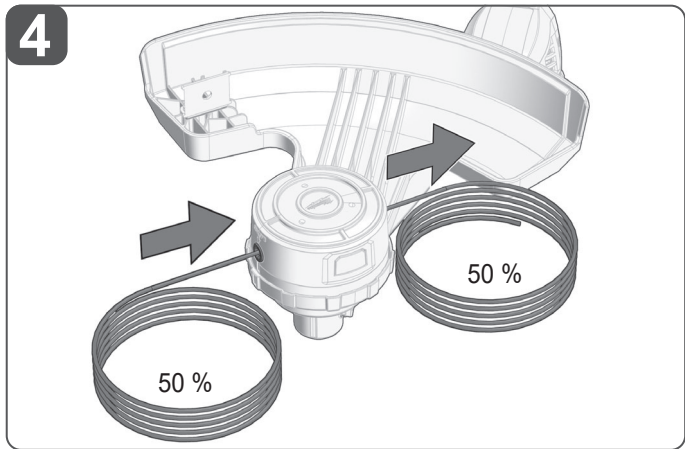


2



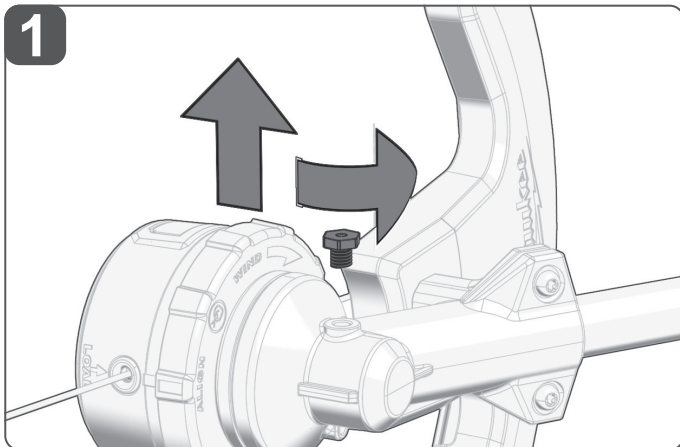
3



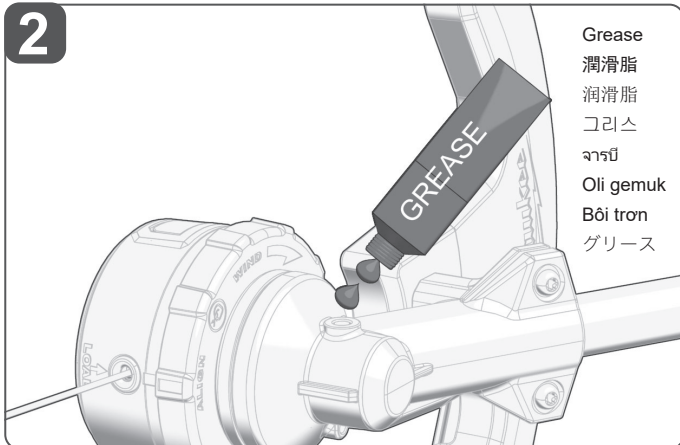




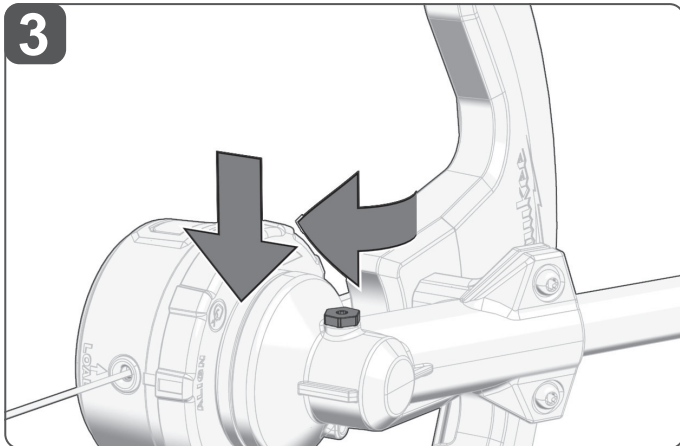
1



2



3





Accessories / spare parts

配件/備件

附件/配件

액세서리/부속품

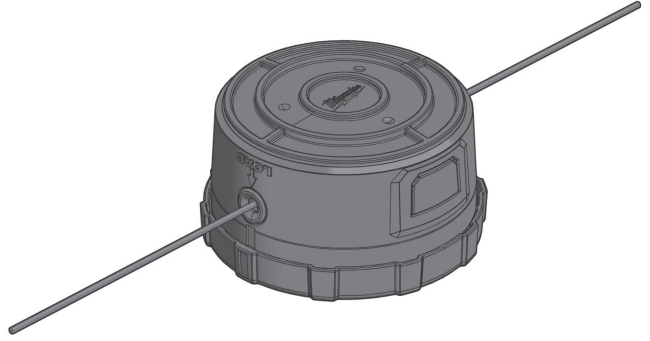
อุปกรณ์เสริม/อะไหล่

Aksesori/Suku cadang

Phụ kiện / Phụ tùng

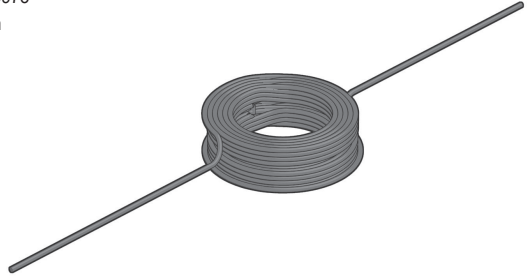
付属品・スペアパーツ

001528007



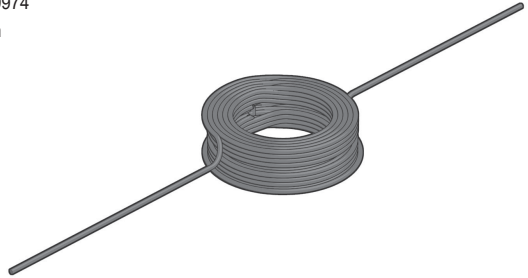
001999973

2.0 mm



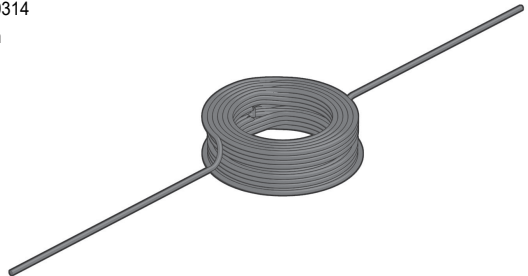
001999974

2.4 mm



001999314

2.7 mm



Type	Cordless grass trimmer
Voltage	36 V (2 x 18 V) ---
No-load speed, low speed	4900/min
No-load speed, high speed	6200/min
Max cutting line \varnothing	7.6 m x 2 mm / 6.1 m x 2.4 mm / 4.5 m x 2.7 mm
Max cutting capacity	432 mm
Weight according EPTA-Procedure 01/2014	7.5 kg
Weight (product only)	5.4 kg
Battery weight (M18B2 - M18HB12)	0.43 kg - 1.49 kg
Recommended ambient operating temperature	-18 – +50 °C
Recommended battery types	M18B..., M18 HB...
Recommended charger	M12-18..., M18 DFC, M18 PC6

Noise information

Noise emission values determined according to EN 62841

A-weighted sound pressure level	79.0 dB (A)
Uncertainty K	3 dB (A)
A-weighted sound power level	89.7 dB (A)
Uncertainty K	3 dB (A)

Always wear ear protectors.

Vibration information

Total vibration values (vector sum in the three axes) determined according to EN 62841

Vibration emission value a_n (front handle)	4.56 m/s ²
Uncertainty K	1.5 m/s ²
Vibration emission value a_n (rear handle)	2.62 m/s ²
Uncertainty K	1.5 m/s ²


WARNING!

The declared vibration total values and the declared noise emission values given in this instruction manual have been measured in accordance with a standardised test and may be used to compare one tool with another. They may be used for a preliminary assessment of exposure.

The declared vibration and noise emission values represent the main applications of the tool. However, if the tool is used for different applications, used with different accessories, or poorly maintained, the vibration and noise emission may differ. These conditions may significantly increase the exposure levels over the total working period.

An estimation of the level of exposure to vibration and noise should take into account the times when the tool is turned off or when it is running idle. These conditions may significantly reduce the exposure level over the total working period.

Identify additional safety measures to protect the operator from the effects of vibration and noise, such as maintaining the tool and the accessories, keeping the hands warm (in case of vibration), and organising work patterns.

 **WARNING! Read all safety warnings, instructions, illustrations, and specifications provided with this product.** Failure to follow all instructions listed below may result in electric shock, fire, and/or serious injury.

Save all warnings and instructions for future reference.

GRASS TRIMMER SAFETY WARNINGS

Do not use the product in bad weather conditions, especially when there is a risk of lightning. This decreases the risk of being struck by lightning.

Thoroughly inspect the area for wildlife where the product is to be used. Wildlife may be injured by the product during operation.

Thoroughly inspect the area where the product is to be used and remove all stones, sticks, wires, bones, and other foreign objects. Thrown objects can cause personal injury.

Before using the product, always visually inspect to see that the cutter or blade and the cutter or blade assembly are not damaged. Damaged parts increase the risk of injury.

Follow instructions for changing accessories. Improperly tightened blade securing nuts or bolts may either damage the blade or result in it becoming detached.

Wear eye, ear, head, and hand protection. Adequate protective equipment will reduce personal injury by flying debris or accidental contact with the cutting line or blade.

While operating the product, always wear non-slip and

protective footwear. Do not operate the product when barefoot or wearing open sandals. This reduces the chance of injury to the feet from contact with the moving cutters or lines.

While operating the product, always wear long trousers. Exposed skin increases the likelihood of injury from thrown objects.

Keep bystanders away while operating the product. Thrown debris can result in serious personal injury.

Always use two hands when operating the product. Holding the product with both hands avoid loss of control.

Hold the product by insulated gripping surfaces only, because the cutting line or blade may contact hidden wiring. Cutting line or blades contacting a "live" wire may make exposed metal parts of the product "live" and could give the operator an electric shock.

Always keep proper footing and operate the product only when standing on the ground. Slippery or unstable surfaces may cause a loss of balance or control of the product.

Do not operate the product on excessively steep slopes. This reduces the risk of loss of control, slipping, and falling which may result in personal injury.

When working on slopes, always be sure of your footing, always work across the face of slopes, never up or down and exercise extreme caution when changing direction. This reduces the risk of loss of control, slipping and falling which may result in personal injury.

Keep all parts of the body away from the cutter, line, or blade when the product is operating. Before you start the product, make sure the cutter, line, or blade is not contacting anything. A moment of inattention while operating the product may result in injury to yourself or others.

Do not operate the product above waist height. This helps prevent unintended cutter or blade contact and enables better control of the product in unexpected situations.

When cutting brush or saplings that are under tension, be alert for spring back. When the tension in the wood fibres is released, the brush or sapling may strike the operator and/or throw the product out of control.

Use extreme caution when cutting brush and saplings. The slender material may catch the blade and be whipped toward you or pull you off balance.

Maintain control of the product and do not touch cutters, lines, or blades and other hazardous moving parts while they are still in motion. This reduces the risk of injury from moving parts.

When clearing jammed material or servicing the product, make sure the switch is off and the battery pack is removed. Unexpected starting of the product while clearing jammed material or servicing may result in serious personal injury.

Carry the product with the product turned off and away from your body. Proper handling of the product reduces the likelihood of accidental contact with a moving cutter, line, or blade.

Only use replacement cutters, lines, cutting heads, and blades specified by the manufacturer. Incorrect replacement parts may increase the risk of breakage and injury.

ADDITIONAL SAFETY WARNINGS

Never allow children, persons with reduced physical, sensory, or mental capabilities or lack of experience and knowledge, or people who are unfamiliar with these instructions to use the product. Local regulations may restrict the age of the operator.

Keep hands away from any sharp device intended to limit the length of the filament line.

Keep any ventilation openings clear of debris.

Do not wear multiple shoulder straps simultaneously. When wearing

a shoulder strap, ensure that no other wearable interferes with the release and removal of the strap.

Do not use an attachment extension with this product attachment. The additional length will make this attachment difficult to control and could cause injury.

Do not use the product near anything that is burning or smoking, such as cigarettes, matches, or hot ashes.

To reduce the risk of health hazards from vapours or dust, do not use the product near toxic, carcinogenic, or other hazardous materials, such as asbestos, arsenic, barium, beryllium, lead, pesticides, or other health endangering materials.

Use care when using the product around decorative plants and other obstacles. Accessories will cut/damage many materials.

Do not operate the product without the front handle in place. The front handle must be attached properly during use.

Brace for unexpected movement when contact is made with a hard object. Loss of control could result in serious injury.

Thrown objects may ricochet off of hard surfaces, such as walls, trees, and rocks, and cause injury. When possible, do cutting by hand in closed in areas.

Clear the work area before each use. Remove all objects, such as cords, lights, wires, or strings which can be thrown or become entangled in the cutting means.

Keep bystanders a safe distance away from the product.

Do not operate the product in poor lighting. The operator requires a clear view of the work area to identify potential hazards.

Inspect the product before each use. Check for loose fasteners, etc. Make sure that all guards and handles are properly and securely attached. Replace any damaged parts before use. Check for battery pack leaks.

Do not modify the product in any way.

Wear full eye and hearing protection while operating the product. If working in an area where there is a risk of falling objects, wear appropriate head protection.

Secure long hair so it is above shoulder level to prevent entanglement in moving parts.

Do not use the product when you are tired, ill, or under the influence of alcohol, drugs, or medication.

Keep firm footing and balance. Do not overreach. Overreaching can result in loss of balance or exposure to hot surfaces.

⚠ WARNING! If the product is dropped, suffers heavy impact, or begins to vibrate abnormally, immediately stop the product and inspect for damage or identify the cause of the vibration. Any damage should be properly repaired or replaced by an authorised service centre.

ADDITIONAL BATTERY SAFETY WARNINGS

⚠ WARNING! To reduce the risk of fire, personal injury, and product damage due to a short circuit, never immerse the product, battery pack, or charger in fluid or allow fluid to flow inside them. Corrosive or conductive fluids, such as seawater, certain industrial chemicals, and bleach or bleach-containing products, etc., can cause a short circuit.

SPECIFIED CONDITIONS OF USE

The product is only intended for use outdoors by a standing operator.

The product is designed for cutting grass, light weeds, and other similar vegetation at or about ground level.

The cutting plane should be approximately parallel to the ground surface when trimming.

The product should not be used to cut or trim hedges, bushes, or other vegetation where the cutting plane is not at or about ground surface level.

Do not use the product for any other purpose.

RESIDUAL RISK

Even when the product is used as prescribed, it is still impossible to completely eliminate certain residual risk factors. The following hazards may arise during use and the operator should pay special attention to avoid the following:

- injury caused by vibration
 - Hold the product by designated handles and restrict working time and exposure.
- hearing injury caused by exposure to noise
 - Restrict exposure and wear appropriate hearing protection
- injuries due to flying debris
 - Wear appropriate personal protective equipment, heavy long trousers, gloves, substantial footwear, and safety glasses, at all times.
- health hazards caused by breathing toxic dusts
 - Wear a mask if necessary.

BATTERY SAFETY INSTRUCTIONS

Do not dispose of used battery packs in the household refuse or by burning them. MILWAUKEE distributors offer to retrieve old batteries to protect our environment.

Do not store the battery pack together with metal objects (short circuit risk).

Use only M18 System chargers for charging M18 System battery packs. Do not use battery packs from other systems.

Never break open battery packs and chargers, and store them only in dry rooms. Keep the battery packs and chargers dry at all times.

Battery acid may leak from damaged batteries under extreme load or extreme temperatures. In case of contact with battery acid, wash it off immediately with soap and water. In case of eye contact, rinse thoroughly for at least 10 minutes and immediately seek medical attention.

No metal parts must be allowed to enter the battery section of the charger (short circuit risk).

BATTERIES

Battery packs that have not been used for some time should be recharged before use.

Temperatures in excess of 50 °C reduce the performance of the battery pack. Avoid extended exposure to heat or sunshine (risk of overheating).

The contacts of the chargers and battery packs must be kept clean.

For an optimum lifetime, the battery packs have to be fully charged after use.

To obtain the longest possible battery life, remove the battery pack from the charger once it is fully charged.

For battery pack storage longer than 30 days:

- Store the battery pack where the temperature is below 27 °C and away from moisture.
- Store the battery packs in a 30% – 50% charged condition.
- Every six months of storage, charge the pack as normal.

BATTERY PACK PROTECTION

In extremely high torque, binding, stalling, and short circuit situations that cause high current draw, the product vibrates for about 5 seconds, the fuel gauge flashes, and then the product turns off. To reset, release the trigger.

Under extreme circumstances, the internal temperature of the battery pack could raise too much. If this happens, the fuel gauge flashes until the battery pack cools down. After the lights go off, continue working.

TRANSPORTING LITHIUM BATTERIES

Lithium-ion batteries are subject to the Dangerous Goods Legislation requirements.

Transportation of those batteries has to be done in accordance with local, national, and international provisions and regulations.

Batteries can be transported by road without further requirements.

Commercial transport of lithium-ion batteries by third parties is subject to Dangerous Goods Regulations. Transport preparation and transport are exclusively to be carried out by appropriately trained persons and the process has to be accompanied by corresponding experts.

When transporting batteries:

- Ensure that the battery contact terminals are protected and insulated to prevent short circuit.
- Ensure that the battery pack is secured against movement within the packaging.
- Do not transport batteries that are cracked or leaking.
- Check with the forwarding company for further advice.

OPERATION

To feed out the line, bump the trimmer head spool against the ground gently while running a normal speed.

NOTE: When used near abrasive surfaces or in dense growth, the cutting line will wear faster and require "bumping" more often.

CUTTING TIPS

Allow the ends of the line to do the cutting.

Contact between the line and solid objects will cause extra line wear and breakage.

Do not drag the spool cover along the ground or bump it too hard. Only bump spool on the ground. Do not bump against rocks, driveways, etc.

Make multiple passes in long growth.

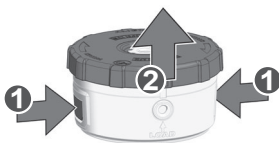
Avoid ornamental trees, shrubs, and plantings. Avoid contact with siding, fence posts, etc. They can all be damaged by the trimmer.

REPLACING THE CUTTING LINE

Use only MILWAUKEE trimmer line (see technical data). Replace the cutting line with either 6 m of 2.4 mm line or 7.6 m of 2 mm line. Note, when used near abrasive surfaces or in dense growth, the cutting line will wear faster.

For replacing cutting line, see graphic section.

Under normal operation, the remaining string should be thrown from the spinning head during use. If any string remains in the head, or to remove a length of string to replace with a different type, turn the trimmer head over and press the release tabs and pull the cover away from the head.



Discard any short line remnants. Snap the cover back onto the trimmer head.

TRANSPORTATION AND STORAGE

Always turn off the product when transporting it from one location to another. Do not carry the product with a finger on the trigger. Accidental starting can cause serious personal injury.

Remove the battery pack and allow it to cool down before storing or transporting.

Carry the product by the front handle to avoid accidental starting. Proper handling of the product prevents injury.

For transportation in vehicles, secure the product against movement or falling to prevent injury to persons or damage to the product.

Clean all foreign materials from the product. Store the product in a cool, dry, and well-ventilated place that is inaccessible to children. Keep away from corrosive agents, such as garden chemicals and de-icing salts. Do not store the product outdoors.

Do not immerse the product in water or spray with a hose. Do not clean with a pressure washer. Water entering the product increases the risk of electric shock. Store the product indoors.

Do not store the product on or near to fertilizers or chemicals.

MAINTENANCE

The ventilation slots of the product must be kept clear at all times.

Servicing requires extreme care and knowledge and should be performed only by a qualified service technician. For service, return the product to your nearest authorised service center for repair. When servicing, use only identical replacement parts.

Turn off and remove battery pack before conducting any maintenance or cleaning work.

You may make adjustments and repairs described here. For other repairs, contact the authorised service agent.

For replacement line, use only nylon filament line of the diameter described in the specification table of this manual.

After extending the new cutter line, always return the product to its normal operating position before starting.

After each use, clean the product with a soft, dry cloth. Any part that is damaged should be properly repaired or replaced by an authorised service centre.

Check all nuts, bolts, and screws at frequent intervals for proper tightness to ensure the product is in safe working condition.

Use only MILWAUKEE accessories and MILWAUKEE spare parts. Should components that have not been described need to be replaced, contact one of our MILWAUKEE service centres (see our list of guarantee or service addresses).

If needed, an exploded view of the product can be ordered. State the product type and the serial number on the label, and order the drawing at your local service centres.

SYMBOLS



Please read the instructions carefully before starting the product.



CAUTION! WARNING! DANGER!



Remove the battery pack before starting any work on the product.



Wear gloves!



Wear ear protectors!



Always wear goggles when using the product.



Wear safety shoes!



Wear long trousers.



Use both hands while operating.



Ensure that nobody is at risk of materials being catapulted out or falling.



CAUTION – hot surfaces!



Keep distance.



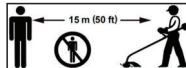
Never expose the product to rain.



WARNING - Disconnect the battery pack before maintenance.



Do not use metal blades.



Keep bystanders at least 15 m away during use.



Two M18 batteries required.



Parts or accessories sold separately.

n_0

No-load speed

V

Voltage



Direct current




Do not dispose of waste batteries, waste electrical and electronic equipment as unsorted municipal waste. Waste batteries and waste electrical and electronic equipment must be collected separately. Waste batteries, waste accumulators and light sources have to be removed from equipment. Check with your local authority or retailer for recycling advice and collection point. According to local regulations retailers may have an obligation to take back waste batteries and waste electrical and electronic equipment free of charge. Your contribution to re-use and recycling of waste batteries and waste electrical and electronic equipment helps to reduce the demand of raw materials. Waste batteries, in particular containing lithium and waste electrical and electronic equipment contain valuable, recyclable materials, which can adversely impact the environment and the human health, if not disposed of in an environmentally compatible manner. Delete personnel data from waste equipment, if any.

類型	電動修草機
電池電壓	36 V (2 x 18 V) ---
無負載轉速, 低速	4900/分鐘
無負載轉速, 高速	6200/分鐘
最大的切割線長度 \varnothing	7.6 米 x 2 毫米 / 6.1 米 x 2.4 毫米 / 4.5 米 x 2.7 毫米
最大的切割能力	432 毫米
根據 EPTA-Procedure 01/2014 的重量	7.5 公斤
重量 (產品淨重)	5.4 公斤
電池重量 (M18B2 - M18HB12)	0.43 公斤 - 1.49 公斤
建議操作環境溫度	-18 - +50 °C
建議電池類型	M18B..., M18 HB...
建議充電器	M12-18..., M18 DFC, M18 PC6
噪聲資訊	
噪聲釋放值根據 EN 62841 確定。	
A加權聲壓量	79.0 dB (A)
不確定性的測量 K	3 dB (A)
A加權聲功率級	89.7 dB (A)
不確定性的測量 K	3 dB (A)
務必佩戴防護耳罩。	
振動資訊	
依EN 62841所測的振動總值 (三軸向量總和)。	
振動釋放值 a_h (前把手)	4.56 m/s ²
不確定性的測量 K	1.5 m/s ²
振動釋放值 a_h (後把手)	2.62 m/s ²
不確定性的測量 K	1.5 m/s ²

警告！

本說明書所提供的聲明的振動總值和噪聲釋放值是依標準化測試所測得，且可能用於與另一個工具進行比較。該等級可用來初步評估風險。聲明的振動和噪聲釋放值代表的是本工具的主要應用。然而，如果用於不同的應用、使用不同的配件或保養不當，振動釋放值和噪聲釋放值也可能不同。這可能會在整個工作週期內顯著增加風險等級。

評估振動和噪聲暴露的等級還應考慮本工具開機時的時間，或當工具運轉但卻未實際使用的時間。這可能會明顯降低整個工作週期內的風險等級。請確認額外的安全措施，以保護使用者不受振動和噪聲的影響，例如：保養產品與配件、保持手部溫暖和井然有序的工作方式。

 警告！請閱讀本產品隨附的所有安全警告、說明、插圖及規格。不遵循這些警告和說明會導致觸電、火災和/或嚴重傷害。

將所有警告和說明保存好，方便以後查閱。

電動修草機安全警告

請勿在惡劣天氣條件下（尤其是存在雷擊危險時）使用本產品。這有助降低了遭受雷擊的風險。

徹底檢查使用產品的區域是否有野生動物。在操作過程中，本產品可能會傷害野生動物。

徹底檢查要使用本產品的區域，並清除所有石頭、棍棒、電線、骨頭和其他異物。投擲的物體可能會造成人身傷害。

使用產品前，請務必目視檢查刀具或刀片以及刀具或刀片組件是否磨損或損壞。損壞的零件會增加受傷的風險。

按照說明更換配件。未正確擰緊刀片固定螺母或螺栓可能會損壞刀片或導致刀片脫落。

佩戴眼睛、耳朵、頭部和手部保護裝置。充足的防護設備將減少因飛濺碎片或與切割線和切割刀片意外接觸而造成的人身傷害。

操作產品時，務必穿著防滑和防護鞋。赤腳或穿著涼鞋時，切勿使用本產品。這減少了腳因接觸移動的刀具或切割線而受傷的機會。

當操作產品時，務必穿著長褲。暴露的皮膚會增加被拋出物體受傷的可能性。

操作產品時，讓旁觀者遠離。被拋出的碎片可能會導致嚴重的人身傷害。

務必以雙手使用本產品。用雙手握住產品以避免失控。

因為切割線或刀片可能接觸到隱藏的電線，所以只可握住產品的絕緣握持面。切割線或刀片接觸火線可能會導致電動工具裸露的金屬部分帶電，可能會導致使用者觸電。

務必保持合適的立足點並且僅在站在地面上時操作產品。光滑或不穩定的表面可能會導致產品失去平衡或失控。

請勿在過於陡峭的斜坡上操作本產品。這樣可以降低失去控制、滑倒和跌倒的風險，從而減低因此所致的人身傷害。

在斜坡上操作時，請務必確保自己的立足點，務必跨過斜坡面工作，切勿向上或向下，並且在改變方向時要格外小心。這樣可以降低失去控制，滑倒和跌倒的風險，從而減低因此所致的人身傷害。

保持對產品的控制，不要在刀具、切割線或刀片和其他危險的運動部件仍在運動時觸摸它們。這降低了運動部件造成傷害的風險。操作產品的時候，一刻注意力不集中可能對您或其他人造成人身傷害。

請勿在腰部高度以上操作產品。這能夠有助於防止意外刀具或切片接觸，並可在意外情況下更好地控制產品。

切割處於張力下的灌木或樹苗時，請注意回彈。當木纖維中的張力釋放時，灌木叢或樹苗可能會撞擊操作員和/或使產品失控。

切割灌木叢及樹苗時要特別小心。纖維的材料可能會卡住刀片，並且鞭打向您或令您失去平衡。

保持對產品的控制，不要在刀具、切割線或刀片和其他危險的運動部件仍在運動時觸摸它們。這降低了運動部件造成傷害的風險。

清除卡住的材料或維修產品時，確保開關處於關閉狀態並取出電池組。清除卡住的材料或維修時意外啟動產品，可能會導致嚴重的人身傷害。

需要在產品關閉並遠離身體的情況下攜帶產品。正確處理產品將減少意外接觸運動中的刀具、切割線或刀片的可能性。

只能使用製造商指定的替換刀具、切割線、切割頭及刀片。錯誤更換零件可能會增加破損和傷害的風險。

其他安全警告

不要讓兒童、身體、感官或精神力下降的人員或缺乏經驗及知識的人，或不熟悉這些指示的人使用產品。當地法規可能會限制使用者的年齡。

保持雙手遠離任何限制切割線長度的尖銳裝置。

保持所有通風口沒有碎屑。

不要同時佩戴多個肩帶。佩戴肩帶時，確保沒有其他可穿戴設備干擾肩帶的釋放和拆卸。

請勿對產品的配件使用擴展的配件。額外的長度使產品難以控制並可能造成傷害。

請勿在任何燃燒或冒煙的物品附近使用本產品，例如香煙、火柴或熱灰爐。

為減少其他蒸氣或粉塵危害健康的風險，請勿在致癌、有毒或有害物質進行真空抽吸，例如石棉、砷、銀、鎂、鉛、農藥或其他危害健康的物質附近使用產品。

在裝飾植物和其他障礙物周圍使用產品時要小心。配件會切割/損壞許多材料。

請勿在未安裝前把手的情況下操作產品。使用過程中必須正確連接前把手。

當與硬物接觸時，為意外移動做好準備。失控可能導致嚴重傷害。

被拋出的物體可能會從堅硬的表面（如牆壁、樹木和岩石）彈起，並可能造成傷害。如果可能，請在封閉區域手動切割。

使用產品前，先清理工作區域。移除所有可能被拋出或纏繞在切割裝置中的物體，例如電纜、燈、電線或繩子。

慎防拋出的物體。讓所有旁觀者、兒童和寵物遠離工作區至少 15 米。

切勿在光線不足的情況下進行操作產品。操作者需要清晰視線的工作區域，以識別潛在的危險。

每次使用前，檢查產品。檢查緊固件的鬆動等。確保正確牢固地連接所有防護和把手。使用前更換損壞的部件。檢查電池組是否有洩漏。

切勿以任何方法更改本產品。

在操作產品時，須佩戴全面的眼部和聽力的保護裝置。如果工作區域存在高空墜物的危機，必須佩戴合適的頭部保護裝置。

束起長髮，使其高於肩膀水平，以防止纏結於運動部件。

切勿在疲勞、生病或受酒精、藥物或治療影響下使用本產品。

時刻注意立足點和身體平衡。切勿伸展太遠。伸展太遠會導致失衡或暴露於噪聲的表面。

▲ 警告！如果產品掉落、受到重大衝擊或者開始異常振動，請立即停止產品，並檢查確認是否有損壞或者確認振動的原因。任何損壞應由授權的維修中心妥善維修或更換。

附加電池組安全警告

▲ 警告！為了減少因短路而導致火災、人身傷害和產品損壞的風險，請勿將工具、電池組或充電器浸沒在液體中或使液體流入其中。腐蝕性或導電性液體（如海水、某些工業化學品、以及漂白劑或含漂白劑的產品等）都會導致短路。

特定使用條件

本產品僅供常規使用者在戶外使用。

本產品設計用於在地面或附近切割草、輕的雜草和其他相似接近地平的植被。

修剪時，切割平面應接近平行於地面。

產品不應用於切割或修剪樹籬、灌木或其他不在或接近地面的植被。

請勿將本產品用於任何其他目的。

殘餘風險

即便已按規定使用產品，仍然不可能完全消除某些殘留的風險因素。使用時可能會出現以下危險，操作人員應特別注意以下事項：

- 振動引起的損傷
- 握住產品指定的把手，並限制工作時間的長短及暴露風險。
- 因接觸噪聲導致聽力傷害
- 限制接觸時間的長短和佩戴適當的聽力保護設備。
- 因飛濺的碎片而受傷
- 務必每刻都穿戴適當的個人防護設備，厚的長褲、手套、結實的鞋類和安全眼鏡。
- 因吸入有毒的粉塵所導致的健康危害
- 必要時可佩戴防護面罩。

電池組安全說明

請勿將用過的電池組與家庭廢棄物混合或燃燒電池組。MILWAUKEE 經銷商提供舊電池組回收，以保護我們的環境。

請勿將電池組與其他金屬物品一起存放（可能引起短路）。

僅可使用 M18 系統充電器對 M18 系統電池組進行充電。請勿使用其他系統的電池組。

不可拆開電池組和充電器。電池組和充電器必須儲藏在乾燥的空間，請勿讓濕氣滲入。必須經常保持乾燥。

在極端負載或極端溫度下，損壞的電池組可能滲出內部酸液。若碰到電池組酸液，請即刻用肥皂與清水洗去。若酸液接觸到眼睛，用清水徹底沖洗至少 10 分鐘後立即就醫。

請勿讓金屬部份接觸充電器的電池組部份（有短路危機）。

電池組

久未使用的電池組必須重新充電後再使用。

超過 50 °C 的高溫會降低電池組的效能。避免暴露於高溫或陽光下（可能導致過熱）。

充電器和電池組的接觸點處應保持清潔。

為確保最佳電池組使用壽命，電池組使用後應再完全充電。

為確保電池組的最長壽命，充電完成後，勿將電池組繼續留在充電器上。

電池組儲存時間長於 30 日：

- 將電池組存放於溫度低於 27 °C 的環境，且避免受潮；

- 將電池組保持在充電量30% - 50%的狀態
- 存放中的電池組應每六個月照常充電一次。

電池組過載保護

因一些諸如極高的扭力、外物附著、突然停機和線路短路發生的情況下，會導致高電流消耗此等情況下，產品將振動的5秒，電池組燈閃爍，然後產品將停止及關閉。如要重置，鬆開扳機。

在極端情況下，電池組內部的溫度可能變得太高。如果發生這種情況，電池燈會閃爍直至電池組冷卻下來。燈滅後，可以繼續工作。

運輸鋰電池組

鋰離子電池組須受制於危險品法例的要求。

運送鋰電池組必須在符合當地、國家及國際標準及法例的情況下進行。

使用者可於陸地上運送電池組而毋須受限；

第三方負責的商業式鋰電池組運送須受制於危險品法例。運送的預備及過程必須由受專業訓練的人士進行，亦必須得到專家在場監管。

運送電池組時：

- 請確保電池組接觸端子受到嚴密保護及經過絕緣，防止短路；
- 請確保電池組妥善包裝，防止碰撞磨擦；
- 切勿運送已有裂痕或已有洩漏的電池組。
- 建議與速遞公司緊密聯繫以獲得進一步資訊。

操作

如要送出切割線，以正常速度運行時，將修剪器頭線軸輕輕撞擊地面。

注意：在磨料表面附近或密集生長中使用時，切割線磨損更快，需要更頻繁地碰撞。

切割技巧

以切割線的末端進行切割。

切割線與固體物體之間的接觸會導致額外的線磨損和斷裂。

請勿將線筒蓋沿地面拖拽或用力撞擊。僅在地面上撞擊線軸。請勿撞擊岩石、車道等。

在長生長過程中，要進行多次通過。

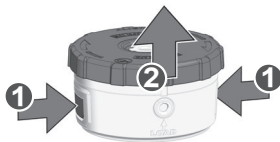
避免切割觀賞樹木、灌木和植物。避免接觸壁板、柵欄柱等。它們都可能被產品損壞。

更換切割線

僅使用 MILWAUKEE 切割線（參考技術數據）。用6.0 米的2.4 毫米線或7.6 米的2.0 毫米線替換切割線。注意：當在磨料表面附近或生長密集時使用時，切割線的磨損速度更快。

有關更換切割線的訊息，請參見圖片部分。

在正常操作下，在使用過程中應將剩餘的繩子從紡絲頭上甩下來。要取下修剪頭中剩餘或一定長度的修剪線，或用不同類型的修剪線替換，請將修整器的頭翻轉過來，按釋放標貼，然後將蓋從修整器的頭上拉開。



丟棄所有殘留的短的修剪線。將護蓋卡回到修整器的頭上。

運輸與存放

將產品從一個位置運輸到另一個位置時，請務必關閉此產品。請勿將手指放在扳機上攜帶產品。意外啟動會導致嚴重的人身傷害。

存放或運輸產品前，先取出電池組，並讓其冷卻後。

用前把手搬運產品，以免意外啟動。正確處理產品可防止受傷。

如果以車輛運輸，確保產品不會移動或掉落，以免造成人身傷害或產品損壞。

清除產品中的所有異物。存放在陰涼、乾燥、通風良好而且兒童不可進入的地方。使產品遠離腐蝕性試劑，例如園林化學品和除冰鹽。請勿在室外存放產品。

請勿將產品浸入水中或用軟管噴灑。請勿使用高壓清洗機清潔產品。當水進入產品內，便會增加觸電的風險。只能將產品存放在室內。

請勿將產品存放在肥料或化學品上或附近。

維修

本產品的通風孔必須時刻保持暢通。

維修需要非常謹慎和必要的知識，並且只能由合格的維修技術人員執行。如需要維修服務，我們建議您將產品退回您最近的授權服務中心進行維修。維修時，只能使用相同的更換部件。

在進行維修或清潔工作之前，請關掉產品和取出電池組。

您可以進行在此描述的調整和維修。如需其他維修服務，請聯繫授權服務中心。

如需更換切割線，只能使用本說明書內技術數據中所述尼龍絲線的直徑。

在延長新的切割線後，務必於啟動產品前將產品返回到其正常操作位置。

每次使用後，用柔軟的乾布清潔產品。任何損壞的部件應由授權維修中心進行適當維修或更換。

經常檢查所有螺母、螺栓和螺釘是否緊固，以確保產品處於安全工作狀態。

只能使用 MILWAUKEE 配件和備件。如果需要更換的組件在此沒有介紹，請與其中一個 MILWAUKEE 服務代理機構聯繫（參見我們的維修/服務地址列表）。

如果需要，可以訂閱產品的分解圖。諮詢圖件時，請您向當地的顧客服務中心提供以下資料：銘牌上的產品號碼及機型。

符號



啟動產品前，請仔細閱讀本說明。



注意！警告！危險！



對產品進行任何工作前，先移除電池組。



佩戴手套。



佩戴防護耳罩。



使用本產品時務必佩戴護目鏡。



穿安全鞋。



穿著長褲。



使用雙手操作產品。



確保沒有人有被材料彈射或掉落的風險。



注意！表面很熱。



保持距離。



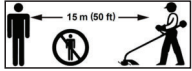
切勿將產品暴露在雨中。



警告！維修前，斷開電池組。



不要使用金屬刀片。



在使用過程中，讓旁觀者至少離開15米。



需要使用 2 個 M18 電池。



單獨出售的零件或附件。

n_0

無負載轉速

V

電壓



直流電



請勿將廢電池組、廢電器、廢電子設備等廢棄物作為未分類城市廢棄物進行處理。必須分開回收廢電池組、廢電器及廢電子設備。

廢鋰電池組、廢電池組和燈源必須從設備上拆下。請與當地相關部門或經銷商聯繫，了解回收建議和收集地點。

根據地區規定，零售商有義務免費回收廢電池組、廢電器和廢電子設備。

您對重用及回收廢電池組、廢電器及廢電子設備作出貢獻，有助於減少原料需求。廢電池組，特別是含有鋰和含有可回收利用的有價值物質的廢電器、廢電子設備，如果不以與環境兼容的方式廢棄，可能會對環境和人類健康產生不良影響。

如果廢電子設備中有任何個人數據，請在棄置前刪除。

类型	充电式双电打草机
电池电压	36 V (2 x 18 V) ---
无负载转速, (低速)	4900/分钟
无负载转速, (高速)	6200/分钟
切割线最大长度与直径	7.6 米 x 2 毫米 / 6.1 米 x 2.4 毫米 / 4.5 m x 2.7 mm
最大切割能力	432 毫米
根据 EPTA-Procedure 01/2014 的重	7.5 公斤
重量 (产品净重)	5.4 公斤
电池重量 (M18B2 - M18HB12)	0.43 公斤 - 1.49 公斤
建议操作环境温度	-18 - +50 °C
建议电池类型	M18B..., M18 HB...
建议充电器	M12-18..., M18 DFC, M18 PC6
噪声信息	
噪声释放值根据 EN 62841 确定。	
A-值音压值	79.0 dB (A)
不确定性的测量 K	3 dB (A)
A-值声功率值	89.7 dB (A)
不确定性的测量 K	3 dB (A)
务必佩戴防护耳罩。	
振动信息	
依欧盟EN 62841 标准确定的振动总值 (三方向矢量和)。	
振动值 a_h (前把手)	4.56 m/s ²
不确定性的测量 K	1.5 m/s ²
振动值 a_h (后把手)	2.62 m/s ²
不确定性的测量 K	1.5 m/s ²

警告!

本说明书所提供的声明的振动总值和噪声释放值是依标准化测试所测得, 且可能用于与另一个工具进行比较。该等级可用来初步评估风险。声明的振动和噪声释放值代表的是本工具的主要应用。然而, 如果用于不同的应用、使用不同的配件或保养不当, 振动释放值和噪声释放值也可能不同。这可能会在整个工作周期内显著增加风险等级。评估振动和噪声暴露的等级还应考虑本工具关机时的时间, 或当工具运转但却未实际使用的时间。这可能会明显降低整个工作周期内的风险等级。请确认额外的安全措施, 以保护使用者不受振动和噪声的影响, 例如: 保养本工具与配件、保持手部温暖和井然有序的工作方式。

警告! 请阅读本工具随附的所有安全警告、说明、插图及规格。不遵循这些警告和说明书会导致触电、火灾和/或严重伤害。保存好所有警告和说明书以备查阅。

充电式双电打草机安全警告

请勿在恶劣天气条件下 (尤其是存在雷击危险时) 使用本工具。这有助降低了遭受雷击的风险。

彻底检查使用本工具的区域是否有野生动物。在操作过程中, 本工具可能会伤害野生动物。

彻底检查要使用本工具的区域, 并清除所有石头、木棒、电线、骨头和其他异物。被抛出的物体可能会造成人身伤害。

使用本工具前, 请务必目视检查刀具或刀片以及刀具或刀片组件是否磨损或损坏。损坏的零件会增加受伤的风险。

按照说明更换附件。未正确拧紧刀片固定螺母或螺栓可能会损坏刀片或导致刀片脱落。

佩戴眼部, 耳部、头部和手部保护装置。充足的防护设备将减少因飞溅碎片或与切割线和切割刀片意外接触而造成的人身伤害。

操作本工具时, 务必穿着防滑和防护鞋。赤脚或穿着凉鞋时, 切勿使用本工具。这减少了脚部因接触移动的刀具或切割线而受伤的机会。当操作本工具时, 务必穿着长裤。裸露的皮肤会增加被抛出物体伤害的可能性。

操作本工具时, 让旁观者远离。被抛出的碎片可能会导致严重的人身伤害。

务必始终用双手使用本工具。用双手握住工具以避免失控。

因为切割线或刀片可能接触到隐藏的电线, 所以只可通过绝缘的握持表面来握住本工具。切割线或刀片接触火线可能会导致电动工具裸露的金属部分带电, 可能会导致使用者触电。

请勿在过于陡峭的斜坡上操作本工具。这样可以降低失去控制、滑倒和跌倒的风险，从而减低因此所致的人身伤害。

在斜坡上操作时，请始终确保自己的立足点，务必跨过斜坡面工作，切勿向上或向下，并且在改变方向时要格外小心。这样可以降低失去控制，滑倒和跌倒的风险，从而减低因此所致的人身伤害。

本工具运行时，身体所有部分应远离刀具，切割线或刀片。在启动产品之前，确保切割刀具、切割线或刀片不接触任何东西。操作电动工具的时候，一刻注意力不集中可能导致严重的人身伤害。

在斜坡上操作时，请始终确保自己的立足点，务必跨过斜坡面工作，切勿向上或向下，并且在改变方向时要格外小心。这样可以降低失去控制，滑倒和跌倒的风险，从而减低因此所致的人身伤害。操作电动工具的时候，一刻注意力不集中可能导致严重的人身伤害。

请勿在腰部高度以上操作工具。这能够有助于防止刀具或刀片意外接触，并可在意外情况下更好地控制工具。

切割灌木丛或树苗时，请注意回弹。当木质纤维中的张力释放时，灌木丛或树苗可能会撞击使用者和/或使本工具失控。

切割灌木丛及树苗时要特别小心。纤细的材料可能会卡住刀片，并且向您抛出或令您失去平衡。

保持对工具的控制，不要在刀具、切割线或刀片和其他危险的运动部件仍在运动时触摸它们。这降低了运动部件造成伤害的风险。

清除卡住的材料或维修工具时，确保开关处于关闭状态并取出电池组。清除卡住的材料或维修时意外启动工具，可能会导致严重的人身伤害。

需要在工具关闭并远离身体的情况下才能携带本工具。正确处理工具将减少意外接触运动中的刀具、切割线或刀片的可能性。

只能使用制造商指定的替换刀具、切割线、切割头及刀片。不正确的更换配件可能会增加破损和伤害的风险。

其他安全警告

请勿让儿童、身体、感官或精神力下降的人员或缺乏经验及知识的人，或不熟悉这些指示的人使用工具。当地法规可能会限制使用者的年龄。

保持双手远离任何限制切割线长度的尖锐装置。

保持所有通风口没有碎屑。

请勿同时佩戴多个肩带。佩戴肩带时，确保没有其他可穿戴设备干扰肩带的释放和拆卸。

请勿将配件的扩展件与本工具的配件一起使用。额外的长度将使本工具难以控制并可能造成伤害。

请勿在任何正在燃烧或冒烟的物品附近使用本工具，例如香烟、火柴或热灰烬。

为减少其他蒸气或粉尘危害健康的风险，请勿在致癌、有毒或其他有害物质（例如石棉、砷、钡、铍、铅、农药或其他危害健康的物质）附近使用本工具。

在装饰植物和其他障碍物周围使用工具时要小心。配件会切割/损坏许多材料。

请勿在未安装前把手的情况下操作工具。使用过程中必须正确安装前把手。

当与硬物接触时，为意外移动做好准备。失控可能导致严重伤害。

被抛出的物体可能会从坚硬表面（如墙壁、树木和岩石）弹起，并可能造成伤害。如果可能，请在封闭区域手动切割。

每次使用本工具，先清理工作区域。移除所有可能被抛出或卡在切割装置中的物体，例如电缆、灯、电线或绳子。

慎防被抛出的物体。让所有旁观者、儿童和宠物远离工具区域至少15米的距离。

切勿在光线不足的情况下操作本工具。使用者需要清晰视线的工作区域，以识别潜在的危险。

每次使用前，检查本工具。检查紧固件的松动等。确保正确牢固地安装所有防护装备和把手。使用前更换损坏的部件。检查电池组是否有泄漏。

不要以任何方式改装本工具。

在操作本工具时，须佩戴全套的眼部和耳部保护装置。如果工作区域存在高空坠物的危险，必须佩戴合适的头部保护装置。

束起长发，使其高于肩膀水平，以防止卡住于运动部件。

切勿在疲劳，生病或受酒精，药物或治疗影响下使用本工具。

时刻注意稳固的立足点和身体平衡。切勿过度伸展。过度伸展会导致失衡。

警告！ 如果本工具掉落、受到重大冲击或者开始异常震动，请立即停止本工具，并检查确认是否有损坏或者查明震动的原因。任何损坏应由授权的维修中心妥善维修或更换。

附加电池组安全警告

警告！ 为了减少因短路而导致火灾、人身伤害和工具损坏的风险，请勿将工具、电池组或充电器浸没在流体中或使流体流入其中。腐蚀性或导电性流体（如海水、某些工业化学品、以及漂白剂或漂白剂的产品等）都会导致短路。

特定使用条件

本工具仅供站立使用者在户外使用。

该工具计用于在地面或附近切割草、轻质的杂草和其他类似接近地平的植被。

修剪时，切割平面应近似平行于地面。

本工具不应用于切割或修剪树篱、灌木丛或其他不在或接近地面的植被。

请勿将本工具用于任何其他目的。

其他风险

即使本工具按规定使用，依然无法完全消除某些剩余风险因素。使用过程中可能出现以下危险，使用者应注意避免：

- 因振动引起的损伤
 - 使用指定的把手握住本工具，并限制工作时间和暴露风险。
- 因暴露于噪声导致听力伤害
 - 限制接触时长并佩戴合适的听力防护装备。
- 因被抛出的碎片而受伤
 - 务必每刻都穿戴适当的个人防护装备，厚的长裤、手套、结实的鞋类和护目镜。
- 吸入有毒的粉尘而导致的健康危险
 - 在必要的情况下请佩戴防护口罩。

电池组安全说明

用过的电池组不可以丢入火中或丢弃在家庭垃圾中。美沃奇经销商提供旧电池组回收，以保护我们的环境。

电池组不可以和金属物体存放在一起（可能产生短路风险）。

M18系列的电池组只能和M18系列的充电器配合使用。不可以使用其他系列的电池组。

不可拆开电池组和充电器。电池组和充电器必须储藏在干燥的空间，请勿让湿气渗入。必须经常保持干燥。

在过度超荷或极端的温度下，可能从损坏的电池组中流出液体。如果触摸了此液体，必须马上使用肥皂和大量清水冲洗。如果此类液体侵入眼睛，马上用清水彻底清洗眼睛（冲洗至少10分钟），接着即刻就医治疗。

请勿让金属部分接触充电器的电池组部份（可能引起短路风险）。

电池组

长期存放的电池组必须先充电再使用。

超过50℃的高温会降低电池组的效能。避免长时间暴露于高温或阳光下（可能导致过热风险）。

充电器和电池组的接触点处应保持清洁。

为获得最长寿命，使用后应将电池组充满电。

为确保最长使用寿命，充电后应将电池组从充电器中取出。

电池组储藏时间大于30天的存放要求：

- 环境温度低于27℃的阴凉干燥处存放电池组；
- 电池组状态为30% - 50%电量下存储电池组；
- 每6个月给电池组充电1次。

电池组超载保护

因一些诸如极高的扭力、卡住、突然停机和线路短路发生的情况下，会导致高电流消耗。此等情况下，本工具将振动约5秒，电量计灯闪烁，然后本工具将停止及关闭。如要重置，松开扳机。

在极端情况下，电池组的内部温度可能会变高。如果发生这种情况，电池灯会闪烁，直至电池组冷却下来。灯熄灭后，可以继续工作。

锂电池组的运输

锂电池组属于危险货品并受制于危险货品运输条例。

此电池组的运输必须遵守地方、国家和国际法律规定。

用户在公路上运输此电池组不必遵守特殊规定：

锂电池组的商业性运输受制于危险货品运输条例的规定。运输准备和运输必须由受过专业培训的人员进行。全程必须由专业人员监督。

运输电池组时必须注意到下列事项：

- 为避免短路，必须确保电池组接点的防护和绝缘；
- 确保包装中的电池组包不会滑动；
- 严禁运输已损坏或已产生泄漏的电池组。
- 更多运输建议请联系运输公司。

操作

如要送出切割线，以正常速度运行时，割草機機頭線軸割草机机头线轴轻轻撞击地面。

注意：在磨料表面附近或密集生长的地方使用时，切割线会磨损的更快，需要更频繁地碰撞机头线轴。

切割技巧

以切割线的末端进行切割。

切割线与固体物体之间的接触会导致切割线额外的磨损和断裂。

请勿将线轴沿地面拖拽或用力撞击。仅在地面上撞击线轴。请勿将线轴撞击岩石、车道等。

在切割生长过高的植物时，要进行多次切割。

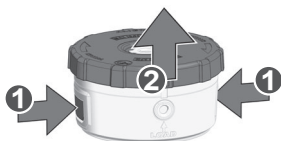
避免切割观赏树木、灌木丛和植物。避免接触壁板、栅栏柱等。它们都可能被本工具损坏。

更换切割线

仅使用美沃奇切割线（参考技术数据）。用6.0米长2.4毫米直径的线或7.6米长2.0毫米直径的线替换切割线。注意：当在磨料表面附近或生长密集区域使用时，切割线的磨损速度更快。

有关更换切割线的信息，请参见图片部分。

在正常操作下，在使用过程中应将剩余的切割线从机头上甩下来。如果机头残留有切割线，或者要移除一定长度的切割线以更换为不同类型的切割线，请将割草机机头翻转过来，并按下释放标签，然后将保护盖从割草机机头上拉开。



丢弃所有残留的短切割线。将保护盖重新安装回割草机机头。

运输与存放

将工具从一个位置运输到另一个位置时，请务必关闭本工具。运输本工具时，请勿将手指放在扳机上。意外启动本工具会导致严重的人身伤害。

存放或运输本工具前，先取出电池组，并让其冷却。

握住前把手以运输本工具，以免意外启动。正确处理本工具可防止受伤。

如要为车辆运输，确保本工具不会移动或掉落，以免造成人身伤害或工具损坏。

清除工具中的所有异物。存放在阴凉、干燥、通风良好而且儿童无法接触到的地方。使本工具远离腐蚀性物质，例如园林化学剂和除冰盐。请勿在室外存放本工具。

请勿将本工具浸入水中或用软管喷洒。请勿使用高压清洗剂清洁本工具。当水进入本工具内，便会增加触电的风险。只能将本工具存放在室内。

请勿将本工具存放在肥料或化学品上或附近。

维修

本工具的通风孔必须时刻保持畅通。

维修需要非常谨慎和专业的知识，并且只能由合格的维修技术人员执行。如需要维修服务，我们建议您将本工具退回您最近的授权服务中心进行维修。维修时，只能使用相同的更换部件。

在进行任何维修或清洁工作之前，请关掉和取出电池组。

您可以进行在此描述的调整和维修。如需其他维修服务，请联系授权服务中心。

对于更换切割线，请仅使用本说明书内技术数据表中所述直径的尼龙丝线。

在延长新的切割线后，务必于启动本工具前将本工具恢复至其正常操作位置。

每次使用后，用柔软的干布清洁工具。任何损坏的部件应由授权维修中心进行适当维修或更换。

经常检查所有螺母、螺栓和螺钉是否紧固，以确保工具处于安全工作状态。

只能使用美沃奇的附件和配件。如果需要更换未描述的组件，请联系我们的美沃奇授权服务中心（请参阅我们的认可/维修的地址列表）。

如果需要，可以索取工具的分解图。在标签上注明工具类型和序列号，然后在当地服务中心订购图纸。

符号



启动工具，请仔细阅读本说明书。



注意！警告！危险！



在工具上开始任何工作之前，请先取出电池组。



佩戴手套。



佩戴防护耳罩。



使用本工具时务必佩戴护目镜。



穿安全鞋。



穿着长裤。



使用双手操作工具。



确保没有人有被材料弹射或掉落的风险。



注意！表面很热。



保持距离。



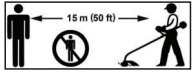
切勿将工具暴露在雨中。



警告！维修前，断开电池组。



请勿使用金属刀片。



在使用过程中，让旁观者至少保持 15 米的安全距离。



需要使用 2 个 M18 电池。



单独出售的配件或配件。

n_0

空载转速

V

电压



直流电



请勿将废电池组、废电器、废电子设备等废弃物作为未分类城市废弃物进行处理。必须分开回收废电池组、废电器及废电子设备。

废锂电池组、废电池组和灯源必须从设备上拆下。请与当地相关部门或经销商联系，了解回收建议和收集地点。

根据地区规定，零售商有义务免费回收废电池组、废电器和废电子设备。

您对重用及回收废电池组、废电器及废电子设备作出贡献，有助于减少原料需求。废电池组，特别是含有锂和含有可回收利用的有价值物质的废电器、废电子设备，如果不以与环境兼容的方式废弃，可能会对环境和人类健康产生不良影响。

如果废电子设备中有任何个人数据，请在弃置前删除。

기술 데이터	M18 F2GTR
유형	무선 잔디깎이
전압	36 V (2 x 18 V) ---
무부하 속도, 저속	4900/분
무부하 속도, 고속	6200/분
최대 절단선 직경	7.6 m x 2 mm / 6.1 m x 2.4 mm / 4.5 m x 2.7 mm
최대 절단 용량: 작업능력	432 mm
EPTA 규정 01/2014에 따른 중량	7.5 kg
무게(제품만)	5.4 kg
배터리 무게(M18B2 - M18HB12)	0.43 kg - 1.49 kg
권장 주변 작동 온도	-18 - +50 °C
권장 배터리 팩	M18B..., M18 HB...
권장 충전기	M12-18..., M18 DFC, M18 PC6
소음 정보	
EN 62841에 따라 결정되는 소음 방출 값	
가중치 음압 레벨	79.0 dB (A)
불확정성 K	3 dB (A)
가중치 음향 파워 레벨	89.7 dB (A)
불확정성 K	3 dB (A)
항상 보안경을 착용하십시오.	
진동 정보	
EN 62841에 따라 판별한 전체 진동 값(3개 축의 백터 합계).	
진동 방출 값 $a_{h, \text{전방 핸들}}$	4.56 m/s ²
불확정성 K	1.5 m/s ²
진동 방출 값 $a_{h, \text{후방 손잡이}}$	2.62 m/s ²
불확정성 K	1.5 m/s ²

경고!
이 지침 설명서에 표시되어 있는 진동 총 수치와 소음 방출 수치는 표준화된 테스트에 따라 측정되었으며 공구끼리 서로 비교하는 데 사용할 수 있습니다. 노출 예비 평가에 사용할 수 있습니다.

표시된 진동 및 소음 방출 수치는 공구의 주 용도로 사용 시에 측정된 값을 나타냅니다. 하지만 공구를 다른 용도로 사용하거나, 다른 부속품과 함께 사용하거나, 부실하게 유지보수할 경우에는 진동 및 소음 방출 수준이 달라질 수 있습니다. 이런 조건은 총 작업 시간에 대한 노출 수준을 상당히 증가시킬 수 있습니다.

진동 및 소음 노출 수준을 추정할 때는 공구의 전원을 끄거나 공회전되는 시간을 고려해야 합니다. 이런 조건은 총 작업 시간에 대한 노출 수준을 상당히 감소시킬 수 있습니다.

공구와 부속품의 유지, 손의 보온 상태 유지(진동의 경우), 작업 패턴 구성과 같이, 작업자를 진동 및 소음의 영향으로부터 보호하기 위한 추가 안전 대책을 파악하십시오.

경고! 제품과 함께 제공된 안전 경고 문구, 설명서, 도해 및 사양을 모두 읽으십시오. 아래의 지침을 따르지 않으면 전기 충격, 화재 및 중대한 부상을 초래할 수 있습니다.

항후 참조할 수 있도록 경고 문구와 설명서를 잘 보관해 두십시오.

잔디깎이 안전 주의 사항

약천후 조건, 특히 낙뢰 위험이 존재할 때 제품을 사용하지 마십시오. 이렇게 하면 낙뢰 위험을 줄일 수 있습니다.

제품을 사용해야 하는 지역에 야생동물이 없는지 철저히 검사하십시오. 조작하는 동안 제품에 의해 야생동물이 부상을 입을 수 있습니다.

제품을 사용하는 지역을 철저히 검사하고 모든 돌, 막대, 전선, 뼈, 그리고 다른 이물질들을 제거하십시오. 비산 물체는 인원 부상을 야기할 수 있습니다.

제품을 사용하기 전에 항상 육안으로 검사하여 절단기, 블레이드 및 절단기 또는 블레이드 여셀블리가 손상되지 않았는지 확인합니다. 손상된 부품은 부상의 위험을 증가시킵니다.

액세서리 교체 지침을 따르십시오. 블레이드 고정 너트 또는 볼트를 부적절하게 조이면 블레이드가 손상되거나 분리될 수 있습니다.

눈, 귀, 머리 및 손 보호 장구를 착용하십시오. 적절한 보호 장구를 착용하면 날아다니는 파편이나 절단 라인 또는 블레이드와의 우발적 접촉으로 인한 부상을 줄일 수 있습니다.

제품을 조작하는 동안 항상 미끄럼 방지 및 보호 신발을 착용하십시오. 맨발이나 샌들을 신고 있을 때에는 제품을 조작하지 마십시오. 이는 움직임이 절단기 또는 라인과 발이 접촉하여 부상을 입을 가능성을 줄여줍니다.

제품을 조작하는 동안 항상 긴 바지를 착용하십시오. 피부가 노출되면 날리는 물체로 인한 상태 가능성이 커집니다.

제품을 조작하는 동안 구멍군이 가까이 오지 못하도록 하십시오.
비산 파편은 심각한 인원 부상을 초래할 수 있습니다.

제품을 조작할 때는 항상 두 손을 사용하십시오. 제어력 상실을 방지하기 위해 제품을 양손으로 잡으십시오.

절단 다린 또는 블레이드가 내부 배선과 접촉할 수 있으므로 절연 그리핑 표면을 통해서만 제품을 잡으십시오. 전기가 흐르는 배선과 접촉하는 절단 라인 또는 블레이드는 "전기가 흐르는" 제품의 금속 부분에 노출되어 작업자에게 전기 쇼크를 유발할 수 있습니다.

발을 적절히 위치시켜 고정되고, 지상에 서있을 때만 제품을 조작하십시오. 미끄러거나 불안정한 표면에 조작할 경우 균형을 잃거나 제품을 제어하지 못할 수 있습니다.

매우 가파른 경사에서 제품을 조작하지 마십시오. 이를 통해 인원 부상을 초래할 수 있는 제어력 상실, 미끄러짐 및 낙상 위험을 줄일 수 있습니다.

경사진 곳에서 작업할 때 항상 발 위치를 확인하고 경사면을 교차하여 작업하고 위 또는 아래로 작업하지 않아야 하며 위치 변경 시 세심한 주의를 기울여야 합니다. 이를 통해 인원 부상을 초래할 수 있는 제어력 상실, 미끄러짐 및 낙상 위험을 줄일 수 있습니다.

제품이 작동 중일 때 본체의 모든 부품을 절단기, 라인 또는 블레이드와 멀리 두십시오. 제품을 시동하기 전에 절단기, 라인 또는 블레이드가 어떤 물체와 접촉하고 있지 않은지 확인하십시오. 제품을 조작하는 동안 잠시 부주의하면 자신이나 타인에게 부상을 초래할 수 있습니다.

허리 높이 위에서 제품을 조작하지 마십시오. 이렇게 하면 의도하지 않은 절단기 또는 블레이드 접촉을 방지하고 예기치 않은 상황에서 제품을 보다 효과적으로 제어할 수 있습니다.

장력이 가해진 장력이 있는 덩굴이나 목목을 절단할 때 뿜겨나올 수 있음에 주의하십시오. 목질 섬유유리 장력이 해제되면 탄성 하중이 가해진 덩굴이나 목목이 작업자를 가격하거나 제품을 제어 불능 상태로 만들 수 있습니다.

덤불과 목목을 자를 때 특히 세심한 주의를 기울이십시오. 가느다란 가지에 블레이드가 끼여 작업자가 있는 방향으로 휘거나 균형을 잃을 수 있습니다.

절단기, 라인 또는 블레이드와 기타 위험한 움직임은 부품이 계속 움직이는 동안 제품을 확실히 고정하십시오. 그래야 움직이는 부품으로 인한 상해 위험이 감소합니다.

걸린 재료를 제거하거나 제품을 경정비할 때는 스위치가 꺼져 있고 배터리 팩이 제거되어 있는지 확인하십시오. 걸린 재료를 제거하거나 수리할 때 예기치 않게 제품이 시동되면 심각한 인원 부상이 초래될 수 있습니다.

제품 스위치를 끄고 신체에서 멀리 둔 상태에서 제품을 운반하십시오. 제품을 적절히 취급하면 이동하는 절단기, 라인 또는 블레이드와 우발적으로 접촉할 가능성을 줄일 수 있습니다.

제조업체가 지정한 교체용 절단기, 라인, 절단 헤드 및 블레이드만 사용하십시오. 잘못된 교체 부품은 파손 및 부상의 위험을 증가시킬 수 있습니다.

추가 안전 지침

어린이, 신체, 총동 장애 또는 정신 질환이 있거나 경험과 지식이 부족한 개인 또는 제품 사용 방법을 모르는 개인은 이 제품을 사용할 수 없습니다. 현지 규정에 따라 작업자의 연령이 제한될 수 있습니다.

필라멘트 라인 길이를 제한하도록 고안된 모든 날카로운 장치에 손을 멀리 두십시오.

모든 환기구에 이물질이 없도록 하십시오.

여러 개의 어깨끈을 동시에 착용하지 마십시오. 어깨끈을 착용할 때 다른 웨어러블 기기가 스트랩을 풀고 제거하는 데 방해가 되지 않도록 하십시오.

제품 어태치먼트에 부착용 연장 코드를 사용하지 마십시오. 길이가 길어져 이 어태치먼트를 제어하기가 어려워 부상을 야기할 수 있습니다.

담배, 성냥 또는 뜨거운 재 같이 타거나 연기가 발생하는 물체 근처에서 제품을 사용하지 마십시오.

중지나 연기로 인한 건강 위험을 줄이려면 석면, 비소, 바륨, 베릴륨, 납, 살충제 또는 기타 건강에 해로운 물질과 같은 독성 물질, 발암성 물질 또는 위험 물질 근처에서 제품을 사용하지 마십시오.

장식용 식물 및 기타 장애물 주변에서 제품을 사용할 때 주의를 기울이십시오. 액세서리가 많은 재료를 자르거나 손상시킬 수 있습니다.

전면 손잡이가 제자리에 있지 않은 상태에서 제품을 조작하지 마십시오. 사용 중에는 전면 손잡이를 올바르게 부착해야 합니다.

단단한 물체에 닿았을 때 예기치 않은 움직임을 대비하십시오. 제어력을 상실할 경우 심각한 부상을 입을 수 있습니다.

던진 물건이 벽, 나무, 바위와 같은 단단한 표면에 튕겨져 부상을 야기할 수 있습니다. 폐쇄된 영역에서는 가능한 한 손으로 절단하십시오.

사용하기 전에 작업 구역을 청소합니다. 튀거나 절단 부위에 끼일 수 있는 전선, 조영, 배선 또는 노끈 같은 물건을 치웁니다.

주변 사람들이 제품과 안전 거리를 유지하도록 하십시오.

조명 상태가 열악한 구역에서 본 제품을 조작하지 않아야 합니다. 작업자는 잠재적 위험 요소가 없는지 파악하기 위해 작업 구역을 세심하게 살펴야 합니다.

사용하기 전에 제품을 검사합니다. 느슨한 패스너 등이 없는지 점검합니다. 모든 가드 및 핸들이 올바르게 안전하게 부착되어 있는지 확인하십시오. 사용하기 전에 손상된 모든 부품을 교체하십시오. 배터리 팩 누설 상태를 점검합니다.

어떠한 방식으로든 본 제품을 개조하지 않아야 합니다.

보안경과 청력 보호구를 완벽히 착용하고 본 제품을 작동하십시오. 낙하물이 발생할 위험이 있는 곳에서 작업할 경우에는 안전모를 착용해야 합니다.

긴 머리카락은 어깨 높이 위로 오도록 묶거나 올려 고정하여 자칫 움직이는 부품에 말려들지 않게 하십시오.

피곤하거나 아플 때 또는 알코올을 섭취하거나 마약 또는 약물을 복용한 상태에서 본 제품을 사용하지 마십시오.

디립 자제와 균형을 유지하십시오. 몸을 과하게 뻗지 마십시오. 몸을 과하게 뻗을 경우 균형을 잃거나 뜨거운 표면에 노출될 수 있습니다.

⚠ 경고! 제품을 떨어뜨리고, 상당한 충격을 경험하거나 비정상적인 진동이 발생할 경우, 제품 사용을 즉시 중단하고 손상 여부를 검사하거나 진동 원인을 파악합니다. 손상된 부품이 있으면 공인 서비스 센터에서 적절한 수리 또는 교체 서비스를 받아야 합니다.

추가 배터리 안전 주의 사항

⚠ 경고! 단락 회로로 인한 화재, 작업자 부상 및 제품 손상 위험을 줄이려면 제품, 배터리 팩 또는 충전기를 유체에 침수시키거나 유체가 내부로 흘러들어가지 않도록 해야 합니다. 해수, 특정한 산업용 화학 물질 및 표백제 또는 표백제 함유 제품 같은 부식성 또는 전도성 유체 등은 단락 회로를 야기할 수 있습니다.

지정된 사용 조건

본 제품은 작업자가 선 자세로 실외에서만 사용하도록 되어 있습니다.

지면 높이나 그에 가까운 높이에서 잔디, 액세서리 없는 잡초, 기타 유사한 식물을 자를 수 있도록 설계된 제품입니다.

풀을 깎아낼 때 절단면이 지면과 대체로 평행을 이루도록 해야 합니다.

절단면이 지면이나 그 근처의 높이에 있지 않은 산울타리, 관목 또는 기타 식물을 자르거나 다듬는 용도로 제품을 사용하면 안 됩니다.

다른 목적으로 제품을 사용하지 마십시오.

잔여 위험

제품을 설명서대로 사용하더라도 위험 요소를 완전히 제거하는 것은 여전히 불가능합니다. 제품 사용 중 다음과 같은 위험 요소가 발생할 수 있으며, 작업을 다음 사항을 회피하기 위해 세심한 주의를 기울여야 합니다.

- 진동으로 인한 부상
 - 지정된 핸들을 이용해 제품을 붙잡아 사용하고 작업 시간과 진동에 대한 노출을 적절히 제한하십시오.
- 소음 노출로 인한 청력 저하 청각 장애.
 - 소음에 대한 노출을 억제하고 적절한 청각 보호장치를 착용하십시오.
- 튀어 나오는 파편으로 인한 부상
 - 항상 적절한 보호 장구, 두툼고 긴 바지, 장갑, 튼튼한 신발 및 보안경을 착용하십시오.
- 독성 먼지 흡입으로 인한 건강 위험
 - 필요할 경우 마스크를 착용하십시오.

배터리 관련 안전 지침

사용된 배터리 팩을 가솔린 쓰레기와 함께 폐기하거나, 대우치 마십시오. 밀워키 전동공구 유통회사들에서 환경 보호를 위해 폐기할 배터리를 회수하는 것을 제안드립니다.

배터리 팩을 금속 물체와 함께 보관하지 마십시오(단락 회로 위험). M18 시스 배터리 팩을 충전하려면 M18 시스 충전기만 사용하십시오. 다른 시스템의 배터리 팩을 사용하지 마십시오. 배터리 팩과 충전기를 개방하지 말고, 건조한 곳에 보관하십시오. 배터리 팩과 충전기는 항상 건조한 상태로 유지하십시오.

극심한 부하 또는 극심한 온도 조건에서 손상된 배터리로부터 배터리 산이 누출될 수 있습니다. 배터리 산과 접촉할 경우, 비누물로 즉시 세척하십시오. 눈과 접촉할 경우, 최소 10분 동안 철저히 세정한 후 즉각적인 의료 조치를 취하십시오.

충전기의 배터리 부위에 어떤 금속 조각도 들어가는 안됩니다(합선 위험이 있습니다).

배터리

오랫 동안 사용하지 않은 배터리 팩은 사용하기 전에 충전해야 합니다.

50°C를 초과하는 온도는 배터리 팩의 성능을 저하시킵니다. 열이나 햇빛에 오래 노출시키지 마십시오(과열 위험).

충전기 접점 및 배터리 팩을 청결한 상태로 유지해야 합니다.

최적의 수명을 보장하려면 사용한 후에 배터리 팩을 완전히 충전해야 합니다.

배터리 수명을 최대한 연장하려면 완전히 충전된 경우 충전기에서 배터리 팩을 제거하십시오.

30일 이상 배터리 팩을 보관하는 경우:

- 온도가 27°C 이하이며 습기가 없는 장소에 배터리 팩을 보관하십시오.
- 배터리 팩을 30% - 50% 충전된 조건으로 보관하십시오.
- 보관한지 6개월이 경과할 때마다 팩을 정상적으로 충전하십시오.

배터리 팩 보호

매우 높은 토크에서, 고전류 드로우를 야기하는 결속, 실속 및 단락 회로 상황이 발생하고, 공구가 약 5초 동안 진동하며 연료 게이지가 팽창한 다음, 공구가 꺼집니다. 재설정하려면 트리거를 해제하십시오.

극심한 환경 조건에서, 배터리 팩의 내부 온도가 급격히 상승할 수 있습니다. 온도가 급격히 상승하면 배터리 팩이 냉각될 때까지 연료 게이지가 팽창됩니다. 조영이 꺼진 후 작업을 계속 진행하십시오.

리튬 배터리의 운송

리튬 이온 배터리는 위험물 법을 요건의 적용을 받습니다.

이 배터리는 현지, 국내 및 국제 규정과 법규에 따라 운송해야 합니다.

배터리는 추가 요구 사항 없이 도로를 통해 운송할 수 있습니다.

다사 리튬 이온 배터리의 상업적 운송은 위험물 규정에 따릅니다. 운송 준비 및 운송 작업은 적절한 교육을 이수한 개인만 수행해야 하고 그 과정에 해당 전문가가 동행해야 합니다.

배터리 운송 시:

- 배터리 접촉면을 보호 및 차단하여 합선 위험을 방지하십시오.
- 배터리 팩이 포장 내에서 움직이지 않도록 고정하십시오.
- 균열 또는 누출이 있는 배터리는 운송하지 마십시오.
- 추가 지침은 운송 회사에 확인하십시오.

작동

절단 라인을 빼내려면 정상적인 속도로 구동하는 동안 지면에 트리머 헤드 스펴을 부드럽게 부딪치십시오.

참고: 연마재 표면 근처나 습도가 많은 환경에서 사용하면 절단 라인이 훨씬 빠르게 마모되므로 더 자주 지면에 부딪치십시오.

절단 작업 시 유용한 도움말

절단 라인 끝을 이용하여 절단 작업을 수행하십시오.

절단 라인과 딱딱한 물체가 접촉하면 추가적인 절단 라인 마모와 파손이 야기됩니다.

지면을 따라 스펴 덮개를 끌거나 스펴 덮개를 너무 심하게 부딪치지 마십시오. 스펴을 지면에만 부딪치십시오. 바위, 차도 등에 부딪치지 마십시오.

긴 풀이나 묘목을 여러 번 통과시킵니다.

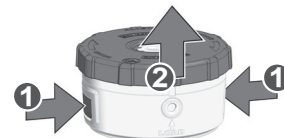
관상용 나무, 관목 및 식물은 자르지 마십시오. 벽돌, 울타리 기둥 등과 접촉하지 않도록 하십시오. 트리머에 의해 모두 손상될 수 있습니다.

절단 라인 교체

MILWAUKEE 트리머 라인(기술 데이터 참조)만 사용하십시오. 절단 라인을 6 m x 2.4mm 라인 또는 7.6m x 2 mm 라인 중 하나로 교체하십시오. 참고: 연마재 표면 근처나 습도가 많은 환경에서 사용하면 절단 라인이 훨씬 빠르게 마모됩니다.

절단 라인 교체 방법은 그래픽 섹션을 참조하십시오.

정상적인 작업 조건에서 사용하는 동안 스피닝 헤드에서 나머지 스트링이 던져져야 합니다. 헤드에 스트링이 남아 있거나 긴 스트링을 제거하거나 라인을 다른 라인으로 교체하려면 트리머 헤드를 위로 돌리고 릴리스 탭을 누르 다음, 헤드에서 덮개를 당겨 빼냅니다.



짧은 라인의 나머지 부분을 모두 제거합니다. 커버를 트리머 헤드에 다시 끼웁니다.

운송 및 보관

한 위치에서 다른 위치로 제품을 이동할 때는 항상 제품 스위치를 차단하십시오. 트리거에 손가락을 대고 제품을 움직이지 마세요. 우발적으로 시동되면 심각한 부상을 입을 수 있습니다.

배터리 팩을 탈거하고 식힌 후에 보관하거나 운송하십시오.

우발적으로 시동되지 않도록 전면 손잡이를 잡고 제품을 운반하십시오. 제품을 올바르게 취급하면 부상을 방지할 수 있습니다.

차량으로 운송하려면 제품이 움직이거나 떨어지지 않도록 잘 고정하여 사람이 다치거나 제품이 손상되지 않도록 조치하십시오.

제품에 있는 모든 이물질질을 청소하십시오. 어린이의 손이 닿지 않고, 서늘하고 건조하고 통풍이 잘되는 곳에 제품을 보관하십시오. 조경용 화학 물질이나 제빙염과 같은 부식성 물질에서 떨어진 곳에 보관하십시오. 제품을 실외에 보관하지 마십시오.

제품을 침수시키거나 호스로 분무하지 마십시오. 고압 세척기로 제품을 청소하지 마십시오. 제품에 물이 유입되면 감전의 위험이 높아집니다. 제품은 실내에 보관하십시오.

비료나 화학약품 워나 근처에 제품을 보관하지 마십시오.

유지 관리

제품의 통기구를 항상 깨끗하게 유지해야 합니다.

본 장비를 수리하려면 세심한 주의와 전문 지식이 필요하므로, 자격을 갖춘 서비스 기술자에게 맡겨야 합니다. 따라서 가까운 공인 서비스 센터로 제품을 보내거나 직접 맡겨 수리를 받으십시오. 수리 시에는 동일한 교체용 부품만 사용하십시오.

유지 관리 또는 청소 작업을 하려면 먼저 제품을 끄고 배터리 팩을 분리하십시오.

이 설명서에 기술되어 있는 간단한 조정 및 수리 작업은 직접 수행해도 됩니다. 다른 수리 작업을 하려면 공인 서비스 대리점에 문의하십시오.

교체용 라인의 경우, 이 설명서의 사양 표에 나와 있는 직경의 나일론 필라멘트 선만 사용하십시오.

새 커터 라인을 연장한 후에는 항상 제품을 정상 작동 위치로 되돌린 후 시동하십시오.

매번 사용한 후에는 부드럽고 마른 천으로 제품을 청소하십시오. 손상된 부품이 있으면 공인 서비스 센터에서 적절한 수리 또는 교체 서비스를 받아야 합니다.

제품을 안전한 작동 조건에서 사용할 수 있도록 모든 너트, 볼트 및 나사가 잘 조여져 있는지 자주 점검하십시오.

반드시 MILWAUKEE 부속품과 MILWAUKEE 예비품을 사용하십시오. 언급하지 않은 구성 부품을 교체해야 하는 경우 MILWAUKEE 서비스 센터 중 한 곳에 문의하십시오(보증/서비스 주소 목록 참조).

필요 시, 제품의 분해 조립도를 주문할 수 있습니다. 라벨에 인쇄되어 있는 제품 유형과 6자리 번호를 알려주고 현지 서비스 대리점에서 도면을 주문하십시오.

기호



제품 사용 전, 설명서를 자세히 읽으십시오.



주의! 경고! 위험!



제품 분리 혹은 청소 전, 배터리 팩을 제거하십시오.



장갑을 착용하십시오!



귀마개를 착용하십시오!



제품을 사용할 때 항상 보안경을 착용하십시오.



안전화를 착용합니다!



긴 바지를 입으십시오.



제품을 조작하는 동안 양손을 사용하십시오.



재료가 튀거나 떨어질 위험이 있는 위험한 곳에 아무도 없어야 합니다.



주의 - 표면이 뜨겁습니다!



거리를 유지하십시오.



공구를 비에 노출시키지 마십시오.



경고- 유지 관리하기 전에 배터리 팩을 분리하십시오.



금속 블레이드는 사용하지 마십시오.



사용하는 동안 구경관들이 적어도 15 m 거리를 유지하도록 하십시오.



두 개의 M18 배터리가 필요합니다.



부품이나 부속품은 별매품입니다.

n_0

무부하 속도

V

전압



직류



폐 배터리, 폐 전기 및 전자 장비를 분류되지 않은 가정용 폐기물로 처리하지 마십시오. 폐 배터리와 폐 전기 및 전자 장비는 별도로 수거해야 합니다. 폐 배터리, 폐기물 어쿠뮬레이터 및 광원은 장비에서 제거해야 합니다. 재활용에 관한 조건과 수거 지점에 대해서는 지방 정부당국이나 소매업자에게 확인하십시오. 현지 규정에 따라 소매업체는 폐 배터리와 폐 전기 및 전자 장비를 무상으로 회수할 의무가 있을 수 있습니다. 폐 배터리와 폐 전기 및 전자 장비를 재사용하고 재활용하면 원자재 수요를 줄이는 데 도움이 됩니다. 특히 리튬이 포함된 폐 배터리와 폐 전기 및 전자 장비에는 가치 있고 재활용 가능한 재료가 포함되어 있어 환경 친화적인 방식으로 폐기하지 않으면 환경과 인간의 건강에 악영향을 끼칠 수 있습니다. 해당하는 경우, 폐 장비에서 개인 데이터를 삭제합니다.

ประเภทผลิตภัณฑ์	เครื่องตัดหญ้าไร้สายแบบหัวเข็น
แรงดันไฟฟ้า	36 V (2 x 18 V) ---
ความเร็วรอบเปล่า ความเร็วต่ำ	4900/นาที
ความเร็วรอบเปล่า ความเร็วสูง	6200/นาที
๑ สายเข็นตัดสูงสุด	7.6 เมตร x 2 มม. / 6.1 เมตร x 2.4 มม. / 4.5 เมตร x 2.7 มม.
ความสามารถในการตัดสูงสุด	432 มม.
น้ำหนักตามขั้นตอนของ EPTA 01/2014	7.5 กก.
น้ำหนัก (ตัวเครื่องอย่างเดียว)	5.4 กก.
น้ำหนักแบตเตอรี่ (M18B2 - M18HB12)	0.43 กก. - 1.49 กก.
อุณหภูมิในการทำงานที่แนะนำ	-18 – +50 °C
แบตเตอรี่แนะนำ	M18B..., M18 HB...
แท่นชาร์จที่แนะนำ	M12-18..., M18 DFC, M18 PC6

ข้อมูลเกี่ยวกับเสียงรบกวน

ค่าการปล่อยเสียงรบกวนที่กำหนดตามมาตรฐาน EN 62841

ระดับแรงดันของเสียงที่ถ่วงน้ำหนัก A	79.0 dB (A)
ค่า K แปรผัน	3 dB (A)
ระดับกำลังของเสียงที่ถ่วงน้ำหนัก A	89.7 dB (A)
ค่า K แปรผัน	3 dB (A)

ใส่อุปกรณ์ป้องกันดวงตาระหว่างใช้งาน

ข้อมูลเกี่ยวกับการสั่น

ค่าการสั่นสะเทือนรวม (ผลรวมเวกเตอร์ในสามแกน) ที่กำหนดตาม EN 62841

ค่าการปล่อยการสั่นสะเทือน a_{hv} (มือจับด้านหน้า)	4.56 m/s ²
ค่า K แปรผัน	1.5 m/s ²
ค่าการปล่อยการสั่นสะเทือน a_{hh} (ด้ามจับด้านหลัง)	2.62 m/s ²
ค่า K แปรผัน	1.5 m/s ²

A คำเตือน!

ค่าการสั่นสะเทือนรวมที่ระบุและค่าระดับเสียงดังรบกวนที่ระบุในเอกสารคู่มือการใช้งานฉบับนี้ได้รับการวัดผลตามการทดสอบที่เป็นไปตามมาตรฐานและอาจนำไปใช้เพื่อเปรียบเทียบเครื่องมือหนึ่งๆ กับผลิตภัณฑ์เครื่องมืออื่น สามารถใช้สำหรับการประเมินความเสี่ยงในเบื้องต้น

ค่าการสั่นสะเทือนและการเสียงดังรบกวนที่ระบุเป็นข้อมูลสำหรับการใช้งานหลักของเครื่องมือ อย่างไรก็ตาม หากเครื่องมือถูกใช้งานผิดประเภท กับอุปกรณ์เสริมที่แตกต่างกันหรือการบำรุงรักษาไม่พอ ระดับการสั่นสะเทือนและเสียงดังรบกวนอาจจะแตกต่างออกไป สภาพเหล่านี้อาจทำให้ระดับความเสี่ยงเพิ่มขึ้นอย่างมีนัยสำคัญตลอดช่วงระยะเวลาการทำงานทั้งหมด

ควรพิจารณาประเมินระดับความเสี่ยงของการสั่นและเสียงดังรบกวนทุกครั้งที่เปิดเครื่องมือหรือขณะที่เครื่องกำลังเดินเบา สภาพเหล่านี้อาจทำให้ระดับความเสี่ยงลดลงอย่างมีนัยสำคัญตลอดระยะเวลาการทำงาน

ระมัดระวังการเพิ่มความปลอดภัยเพิ่มเติมเพื่อปกป้องผู้ปฏิบัติงานจากผลกระทบของการสั่นสะเทือนและเสียงดังรบกวน เช่น การบำรุงรักษาเครื่องมือและอุปกรณ์เสริม รักษามือให้อบอุ่น (ในกรณีการสั่นสะเทือน) และจัดระเบียบการทำงาน

A คำเตือน! อ่านวิธีใช้ ภาพประกอบ ข้อมูลจำเพาะ และคำเตือนด้านความปลอดภัยทั้งหมดที่หามากับผลิตภัณฑ์ การไม่ปฏิบัติตามคำแนะนำที่แสดงอยู่ด้านล่าง อาจทำให้เกิดไฟฟ้าช็อต เพลิงไหม้ และ/หรือการบาดเจ็บรุนแรงได้ **โปรดเก็บเอกสารคำเตือนและคำแนะนำทั้งหมดเพื่อใช้อ้างอิงในอนาคต**

คำเตือนด้านความปลอดภัยของเครื่องเล็มหญ้า

อย่าใช้ผลิตภัณฑ์นี้ในสภาพที่มีสภาพอากาศเลวร้าย โดยเฉพาะอย่างยิ่งเมื่อมีความเสี่ยงที่จะเกิดฟ้าผ่า การดำเนินการนี้จะลดความเสี่ยงของปัญหาที่เกิดขึ้นจากฟ้าผ่าได้

ตรวจสอบพื้นที่อย่างละเอียดว่ามีสัตว์ป่าในบริเวณที่จะใช้ผลิตภัณฑ์หรือไม่ สัตว์ป่าอาจได้รับบาดเจ็บจากผลิตภัณฑ์ในระหว่างการทำงาน

ตรวจสอบบริเวณพื้นที่ที่จะใช้ผลิตภัณฑ์อย่างละเอียดและกำจัดเศษหิน

กิ่งไม้ สายไฟ กระดุก และวัตถุแปลกปลอมอื่นๆ ทั้งหมด สิ่งของที่กระเด็นอาจทำให้เกิดการบาดเจ็บได้

ก่อนใช้งานผลิตภัณฑ์ ให้ตรวจสอบด้วยสายตาอย่างสม่ำเสมอว่าอุปกรณ์ตัดหรือใบมีด หรือชุดประกอบอุปกรณ์ตัดหรือใบมีดไม่มีการเสียหาย ชิ้นส่วนที่ชำรุดเสียหายจะเพิ่มความเสี่ยงต่อการบาดเจ็บ

ปฏิบัติตามขั้นตอนแนะนำสำหรับการเปลี่ยนอุปกรณ์เสริม การขันน็อตยึดใบมีดอย่างไม่เหมาะสมอาจทำให้ใบมีดเสียหายหรือทำให้ใบมีดหลุดออกได้

สวมใส่อุปกรณ์ป้องกันตา หู ศีรษะ และมือ อุปกรณ์ป้องกันที่เพียงพอจะช่วยลดความเสี่ยงในการบาดเจ็บจากเศษผงที่ปลิวออกมา หรือการสัมผัสกับเข็นตัดหรือใบมีด

ในขณะที่ใช้งานผลิตภัณฑ์นี้ ควรสวมรองเท้าเซฟตี้ชนิดกันสั่นเสมอ **อย่าใช้งานผลิตภัณฑ์ในขณะที่เท้าเปล่าหรือสวมรองเท้าแตะ** ซึ่งจะช่วยลดโอกาสในการ

บาดเจ็บที่เท้าจากการสัมผัสกับใบมีดหรือลวดตัดที่กำลังเคลื่อนที่

ในระหว่างใช้งานผลิตภัณฑ์ ให้สวมกางเกงขายาวเสมอ ฝ่าเท้าเมื่อยออกนอกร่มผ้ามีความเสี่ยงได้รับบาดเจ็บจากเศษวัสดุที่กระเด็นมาโดน

อย่าให้ผู้มีอายุต่ำกว่า 18 ปี ใช้งานผลิตภัณฑ์ เศษวัสดุที่กระเด็นอาจทำให้ได้รับบาดเจ็บรุนแรงได้

ให้ใช้อุปกรณ์นี้ด้วยสองมือเสมอ จัดยึดตัวอุปกรณ์ด้วยมือทั้งสองเพื่อป้องกันการสูญเสียการควบคุม

ถืออุปกรณ์โดยจับบริเวณพื้นผิวหุ้มฉนวนเท่านั้น เนื่องจากเอ็นตัดหรือใบมีดอาจสัมผัสกับสายไฟที่ซ่อนอยู่ได้ เอ็นตัดหรือใบมีดตัดที่สัมผัสกับสายไฟที่ "มีกระแสไฟฟ้า" อาจทำให้ชิ้นส่วนโลหะของผลิตภัณฑ์ "มีกระแสไฟฟ้า" และอาจทำให้ผู้ปฏิบัติงานถูกไฟฟาช็อตได้

ให้หาพื้นที่ที่เหมาะสมและใช้งานผลิตภัณฑ์ในขณะที่ยืนอยู่บนพื้นเท่านั้น พื้นที่ที่ลื่นหรือมีน้ำบนอาจทำให้สูญเสียการทรงตัวหรือการควบคุมผลิตภัณฑ์

อย่าใช้งานผลิตภัณฑ์ในพื้นที่ที่ลาดชันมากเกินไป ซึ่งจะช่วยลดความเสี่ยงจากการสูญเสียการควบคุม ลื่น และล้มที่อาจส่งผลให้เกิดการบาดเจ็บได้

เมื่อทำงานบนพื้นที่ลาดชัน ต้องตรวจสอบการวางเท้าเสมอ ทำงานในแนวขวางบนพื้นที่ลาดชันเสมอ อย่าขึ้นหรือลงและใช้การระมัดระวังอย่างยิ่งเมื่อเปลี่ยนทิศทาง ซึ่งจะช่วยลดความเสี่ยงจากการสูญเสียการควบคุม ลื่น และล้มที่อาจส่งผลให้เกิดการบาดเจ็บได้

ระวังให้ทุกส่วนของร่างกายห่างจากใบมีด เอ็นตัด หรือใบมีดตัดขณะใช้ผลิตภัณฑ์ ทำงานอยู่ ก่อนเริ่มใช้ผลิตภัณฑ์ ให้ตรวจสอบว่าใบมีด เอ็นตัด หรือใบมีดตัดไม่สัมผัสกับสิ่งใด การไม่ระมัดระวังชั่วครู่ขณะใช้งานผลิตภัณฑ์อาจทำให้คุณหรือผู้อื่นบาดเจ็บได้

อย่าใช้ผลิตภัณฑ์ส่งกวาระดับเอว เพื่อช่วยหลีกเลี่ยงการสัมผัสอุปกรณ์ตัดหรือใบมีดโดยไม่ตั้งใจ และช่วยให้สามารถควบคุมผลิตภัณฑ์ได้ดีขึ้นในสถานการณ์ที่ไม่คาดคิด

ขณะทำการตัดพุ่มไม้หรือต้นไม้ที่มีแรงดัน โปรดระวังการลื่นล้ม หากแรงดึงจากเส้นใยของไม้ถูกปล่อยออกมา พุ่มไม้หรือต้นไม้ อาจตัดใส่ผู้ใช้งาน และ/หรือตัดผลิตภัณฑ์ออกจากมือผู้ใช้งานได้

โปรดระมัดระวังเป็นพิเศษเมื่อทำการตัดพุ่มไม้หรือต้นอ่อน ส่วนที่เรียกว่างอาจติดเข้าไปที่ใบมีดและพาดไปที่คุณ หรือทำให้คุณเสียการทรงตัวได้

ควบคุมผลิตภัณฑ์ให้ดี และอย่าสัมผัสใบมีด เอ็นตัด หรือใบมีดหรือชิ้นส่วนเคลื่อนที่หากมีข้อสงสัยใด ๆ ขณะที่มีสิ่งยังคงเคลื่อนที่อาจช่วยหลีกเลี่ยงความเสี่ยงของการได้รับบาดเจ็บจากชิ้นส่วนที่เคลื่อนที่เร็วได้

ขณะนำวัสดุที่ติดดอกหรือเมื่อบำรุงรักษาผลิตภัณฑ์ ตรวจสอบให้แน่ใจว่าวัสดุขีปนอยุ่และชุดขับเคลื่อนอยู่ไกลจากตัว การเปิดทำงานอุปกรณ์โดยไม่คาดหมายในระหว่างการจัดการกับวัสดุที่ติดดอกหรือการซ่อมบำรุงอาจก่อให้เกิดการบาดเจ็บที่รุนแรงได้

ให้ถือผลิตภัณฑ์โดยยึดการใช้งานและถือให้ห่างจากตัว การจับผลิตภัณฑ์อย่างถูกต้องจะช่วยลดความเสี่ยงในการสัมผัสกับอุปกรณ์ตัด เอ็น หรือใบมีดโดยไม่ตั้งใจได้

ใช้เฉพาะใบมีด เอ็นตัด หัวตัด และใบมีดอะไหล่ตามคู่มือผู้ผลิตระบุเท่านั้น ชิ้นส่วนอะไหล่ที่ไม่ถูกต้องอาจเพิ่มความเสี่ยงที่จะเกิดความเสียหายหรือบาดเจ็บได้

คำแนะนำด้านความปลอดภัยเพิ่มเติม

ห้ามให้เด็ก บุคคลที่มีความบกพร่องทางกาย การรับรู้ หรือทางจิต ตลอดจนบุคคลที่ขาดประสบการณ์และความรู้ หรือบุคคลที่ไม่คุ้นเคยกับคำแนะนำเหล่านี้ใช้งานผลิตภัณฑ์ กฎระเบียบของท้องถิ่นอาจจำกัดอายุของผู้ปฏิบัติงาน

ระวังไม่ให้มือเท้าจากอุปกรณ์มีคมเคลื่อนที่ ที่มีน้ำหนักความยาวของเส้นเอ็นตัดดูแลให้ช่องเปิดระบายปราศจากเศษชิ้นส่วนต่าง ๆ

ห้ามสวมสายคาดพาหลายสายในคราวเดียว เมื่อสวมสายคาดพา ให้ตรวจสอบว่าไม่มีอุปกรณ์สวมใส่อื่น ๆ ชวนกันบริเวณที่ใบมีดหรือปล่อยสาย

อย่าใช้ส่วนต่ออุปกรณ์ติดตั้งเพิ่มเติมจากอุปกรณ์ติดตั้งของผลิตภัณฑ์ช็อก ความยาวที่เพิ่มขึ้นจะทำให้ควบคุมอุปกรณ์เครื่องมือนั้นได้ยากและก่อให้เกิดการบาดเจ็บได้

ห้ามใช้ผลิตภัณฑ์กับวัสดุที่ใหม่หรือมีคมวับอยู่ เช่น บุหรี่ ไม่ใช่ไฟฟ หรือชิ้นส่วนอื่นเพื่อลดความเสี่ยงอันตรายต่อสุขภาพจากไอหรือฝุ่นละออง อย่าใช้ผลิตภัณฑ์ใกล้สารพิษ สารก่อมะเร็ง หรือวัสดุอันตรายอื่น ๆ เช่น แร่ใยหิน สารหนู แบเรียม แบรลเลียม ตะกั่ว สารฆ่าแมลง หรือวัสดุที่เป็นอันตรายต่อสุขภาพอื่น ๆ

ระมัดระวังขณะใช้ผลิตภัณฑ์บริเวณที่ไม่ประต้อมหรือสิ่งกีดขวางอื่น ๆ อุปกรณ์เสริมสามารถตัด/ทำลายวัสดุต่าง ๆ ได้หลายอย่าง

ห้ามใช้ผลิตภัณฑ์โดยไม่มีมือจับด้านหน้าติดตั้งไว้ มือจับด้านหน้าต้องติดตั้งอย่างถูกต้องระหว่างใช้งาน

ระวังการเคลื่อนที่หากไม่คาดคิดเมื่อมีการกระทบกับวัตถุที่มีความแข็ง การเสียการควบคุมอาจทำให้บาดเจ็บรุนแรง

วัตถุที่ถูกโยนออกอาจรุนแรงจากพื้นผิวแข็ง เช่น กำแพง ผนังไม้ ก้อนหิน และก่อให้เกิดการบาดเจ็บได้ ในกรณีที่ทำได้ ให้ทำการตัดด้วยมือในพื้นที่ปิด

ท่าความระมัดระวังที่ทำงานนี้ในสิ่งของทุกสิ่งก่อนการใช้งาน นำวัตถุทั้งหมด เช่น สายไฟ หลอดไฟ ลวด หรือเชือกต่าง ๆ ที่อาจกระเด็นหรือพันกับเครื่องมือตัดออกไป

คอยรักษาระยะห่างที่ปลอดภัยจากผลิตภัณฑ์นี้สำหรับบุคคลที่ยืนมอง

อย่าใช้ผลิตภัณฑ์กับวัสดุที่มีความแข็งสูงเกินไป ผู้ใช้งานต้องสามารถมองเห็นพื้นที่ทำงานนี้ได้อย่างชัดเจนเพื่อระวังอันตรายที่อาจเกิดขึ้น

ตรวจสอบผลิตภัณฑ์ก่อนใช้งาน ตรวจสอบว่าตัวยึดหลวมหรือไม่ ฯลฯ ตรวจสอบให้แน่ใจว่าได้ติดตั้งอุปกรณ์ป้องกันและจับไว้อย่างถูกต้องและแน่นหนา เปลี่ยนชิ้นส่วนที่เสียหายก่อนการใช้งาน ตรวจสอบชุดแบตเตอรี่ว่ามีกรังไว้หลวมหรือไม่

ห้ามตัดแปลงผลิตภัณฑ์อย่างเด็ดขาด

สวมแว่นตานิรภัยและอุปกรณ์ป้องกันการได้ยินทุกครั้งก่อนใช้ผลิตภัณฑ์ หากปฏิบัติงานในพื้นที่ที่มีเสียงอาจมีระดับสูงกว่าที่ระบุได้ ให้สวมหมวกนิรภัยด้วย

รวมผมที่ยาวไว้ให้อยู่เหนือหัวเพื่อป้องกันไม่ใหผมเข้าไปติดพันในชิ้นส่วนที่มีการเคลื่อนที่

ห้ามใช้อุปกรณ์เมื่อคุณเหนื่อยล้า บ่อย หรืออยู่ภายใต้ฤทธิ์สุรา ยาเสพติด หรือยารักษาโรค

ยืนให้มั่นคงและสมดุล อย่าเอื้อม การเอื้อมตัวอาจทำให้เสียสมดุลหรือสัมผัสกับผิวที่มีความร้อนได้

คำเตือน! หากทำผลิตภัณฑ์หล่น เกิดการกระทบกระเทือนอย่างรุนแรง หรือรับแรงสั่นสะเทือน โปรดหยุดใช้งานทันทีและตรวจสอบความเสียหายหรือตรวจหาสาเหตุของการสั่นสะเทือนดังกล่าว หากมีสาเหตุ ที่ได้รับบาดเจ็บเสียหาย การนำไปส่งให้ ศูนย์บริการ ที่ได้รับอนุญาต ดำเนินการซ่อมแซมหรือเปลี่ยน

คำเตือนเพิ่มเติมเกี่ยวกับความปลอดภัยของแบตเตอรี่

คำเตือน! วิธีลดความเสี่ยงในการเกิดไฟไหม้ การบาดเจ็บส่วนบุคคล และความเสียหายต่อผลิตภัณฑ์ จากการชาร์จผิดวิธี อย่างการชาร์จมือ แบตเตอรี่ หรือเครื่องชาร์จไฟลงในของเหลวหรือปล่อยให้ของเหลวซึมเข้าสู่ภายใน ของเหลวที่มีฤทธิ์กัดกร่อนหรือนำไฟฟ้าอาจก่อให้เกิดการลัดวงจรได้ เช่น น้ำมัน สารเคมีทางอุตสาหกรรมบางชนิด และผลิตภัณฑ์ฟอสซิลหรือมีส่วนผสมฟอสซิล เป็นต้น

สภาพการใช้งานที่กำหนด

ผลิตภัณฑ์นี้ไว้เพื่อใช้งานกลางแจ้ง และควบคุมโดยผู้ปฏิบัติงานที่ยืนอยู่เท่านั้น ผลิตภัณฑ์นี้ได้รับการออกแบบมาเพื่อใช้ในการตัดหญ้า สำหรับเส้นเล็ก และพืชผักอื่นๆ ที่มีลักษณะใกล้เคียงกันหรือมีความสูงจากดินต่ำเพียงเล็กน้อยเท่านั้น

ควรจัดให้ระนาบการตัดขนานกับพื้นดินในระหว่างที่ทำการตัด

ไม่ควรใช้ ผลิตภัณฑ์ในการตัดหรือเล็มหญ้า พุ่มไม้ หรือพืชผักอื่นๆ ในขณะที่ยังมีการตัดไม้ ได้อยู่เท่าหรือใกล้เคียงกับพื้นดิน

ห้ามใช้ผลิตภัณฑ์เพื่อวัตถุประสงค์อื่นนอกเหนือจากที่ระบุ

ความเสี่ยงอื่นๆ

ถึงแม้เครื่องมือจะได้รับการขัดمانที่กำหนด แต่ก็ไม่สามารถกำจัดปัจจัยความเสี่ยงที่หลงเหลืออยู่ได้ อาจเกิดภัยอันตรายต่อไปในระหว่างการใช้งานได้ และผู้ใช้งานควรระมัดระวังเป็นพิเศษเพื่อหลีกเลี่ยงภัยอันตรายต่อไปนี้:

- การบาดเจ็บที่เกิดจากแรงสั่นสะเทือน
- จับบริเวณที่จับเฉพาะของผลิตภัณฑ์และอย่า ใช้งานติดต่อกันเป็นเวลานาน
- ระบบการได้ยินอาจได้รับความเสียหาย หากได้ยินเสียงดัง
- ความผิดปกติในการได้ยิน การจำกัดการสัมผัส และความสามารถป้องกันที่หมดไป
- การบาดเจ็บเนื่องจากเศษวัสดุที่กระเด็น
- สวมอุปกรณ์ป้องกันส่วนบุคคลที่เหมาะสม กางเกงขายาว ถุงมือ รองเท้าหุ้ม และแว่นตานิรภัย ตลอดจนแว่น
- อันตรายต่อสุขภาพที่เกิดจากการสูดหายใจเอาฝุ่นพิษเข้าไป
- สวมหมวกกันน้ำถ้าจำเป็น

คำแนะนำเกี่ยวกับความปลอดภัยสำหรับเบตเตอร์

ห้ามทิ้งเบตเตอร์ที่ใช้แล้วกับขยะครัวเรือนหรือโดยการเผาทำลาย ผู้แทนจำหน่ายของ MILWAUKEE มีข้อเสนอในการจัดการเบตเตอร์เก่าเพื่อปกป้องสภาพแวดล้อมของเรา

ไม่เก็บชุดเบตเตอร์ไว้รวมกับวัตถุอื่นที่เป็นโลหะ (เสี่ยงต่อการลัดวงจร)

ชำระชุดเบตเตอร์ System M18 ด้วยตัวชำระสำหรับ System M18 เท่านั้น อย่าใช้เบตเตอร์จากระบบอื่น ๆ

ห้ามเปิดทาสวนเบตเตอร์และเครื่องผสมและเก็บไว้ในห้องที่แห้งเท่านั้น เก็บก่อนเบตเตอร์และอุปกรณ์ชาร์จในแห้งตลอดเวลา

กรดเบตเตอร์ชำระรั่วจากเบตเตอร์ที่เสียหายภายใต้อุณหภูมิสูงหรือการใช้งานที่หนักมากเกินไป หากสัมผัสกับกรดเบตเตอร์ ให้ล้างออกทันทีด้วยน้ำสบู่ หากกรดเบตเตอร์เข้าตา ล้างตาให้ทั่วด้วยน้ำอย่างน้อย 10 นาที และไปพบแพทย์ทันที

ห้ามไม่ให้มีชิ้นส่วนที่เป็นโลหะในส่วนเบตเตอร์ของตัวชำระ (เสี่ยงลัดวงจร)

เบตเตอร์

ควรชำระเบตเตอร์ที่ไม่ได้ใช้งานเป็นระยะเวลาหนึ่งก่อนที่จะใช้งาน

ประสิทธิภาพของชุดเบตเตอร์จะลดลงหากอุณหภูมิสูงกว่า 50°C หลีกเลี่ยงไม่ให้ถูกแดดหรือความร้อนเป็นเวลานาน (เสี่ยงต่อความร้อนเกิน)

ต้องหมั่นดูแลความสะอาดความถี่ตามตัวชำระกับชุดเบตเตอร์เพื่อยืดอายุการใช้งาน ควรชำระเบตเตอร์ให้เต็มหลังการใช้งาน

เพื่อรักษาอายุเบตเตอร์ให้มากที่สุด ให้ถอดชุดเบตเตอร์ออกจากตัวชำระเมื่อชำระไปเต็ม

สำหรับชุดเบตเตอร์ที่ต้องการเก็บไว้นานกว่า 30 วัน:

- เก็บชุดเบตเตอร์ไว้ในอุณหภูมิต่ำกว่า 27°C และหลีกเลี่ยงความชื้น
- เก็บชุดเบตเตอร์ไว้ที่ประจุ 30% - 50%
- ให้ชำระเบตเตอร์ตามปกติทุกหกเดือนที่เก็บ

ระบบป้องกันของชุดเบตเตอร์

ในสถานการณ์ที่เกิดแรงบิดสูง ติดขัด สะดุด และเกิดการลัดวงจรเนื่องจากมีกระแสย้อนกลับสูง เครื่องมือจะสั่นเป็นเวลา 5 วินาที และแถบเบตเตอร์จะกะพริบ แล้วเครื่องมือจะดับลง การรีเซ็ต ให้ปิดและเปิดเครื่องมือ

ภายใต้สถานการณ์รุนแรง อุณหภูมิภายในของเบตเตอร์อาจสูงเกินไป หากเกิดเหตุการณ์นี้ขึ้น แถบเบตเตอร์จะกะพริบจนกว่าแถบเบตเตอร์จะเย็นลง ให้ทำงานต่อหลังจากที่ไฟดับแล้ว

การเคลื่อนย้ายเบตเตอร์ลิเทียม

เบตเตอร์ลิเทียมไอออนอยู่ภายใต้ข้อกำหนดตามกฎหมายของสินค้าอันตราย การขนส่งเบตเตอร์เหล่านี้ต้องกระทำตามกฎระเบียบและข้อบังคับของท้องถิ่น ของประเทศ และระหว่างประเทศ

สามารถขนส่งเบตเตอร์ทางถนนได้โดยไม่ต้องมีข้อกำหนดเพิ่มเติม

การขนส่งเบตเตอร์ลิเทียมโดยผู้ให้บริการภายนอกจะต้องจัดการตามกฎระเบียบสินค้าอันตราย การเตรียมการขนส่งและการขนส่งต้องดำเนินการโดยบุคลากรที่ผ่านการฝึกอบรมแล้วเท่านั้น และในระหว่างดำเนินการต้องมีผู้เชี่ยวชาญที่เกี่ยวข้องคอยกำกับดูแล

เมื่อขนย้ายเบตเตอร์:

- โปรดตรวจดูให้แน่ใจว่าซ้่าสัมผัสมือของเบตเตอร์ได้รับการปกป้องและติดตั้งฉนวนเพื่อป้องกันกระแสลัดวงจร
- ตรวจสอบให้แน่ใจว่าก่อนเบตเตอร์ได้รับการปกป้องอย่างแน่นหนาอยู่ในบรรจุภัณฑ์
- ห้ามเคลื่อนย้ายเบตเตอร์ที่แตกหรือร้าว
- โปรดสอบถามบริษัทขนส่งหากท่านต้องการคำแนะนำเพิ่มเติม

การปฏิบัติงาน

สำหรับการป้องกันสายเอ็นตัดเพื่อตัดเล็มหญ้า ให้ทำงานโดยที่แกนหมุนส่วนหัวของเครื่องเล็มหญ้าอยู่ กระบอบบนพื้นดินในขณะที่ทำงานด้วยความเร็วปกติ

หมายเหตุ: เมื่อใช้โคลี่พื้นผิวที่มีการขัดสีหรือในบริเวณที่มีหญ้าเจริญเติบโตหนาแน่น เส้นเอ็นจะสึกหรือเร็วขึ้น อาจมีการ "กระแทก" บ่อยขึ้น

เคล็ดลับการตัด

ตัดเล็มหญ้าโดยใช้ปลายของสายเอ็นเป็นตัวตัด

การสัมผัสกันระหว่างสายเอ็นและวัตถุแข็งอาจทำให้เกิดการสึกหรอและการแตกหักที่สายเอ็นมากขึ้น

อย่าผ่าควมคมแกนหมุนไปบนพื้นดินหรือให้แกนหมุนกระทบวัตถุที่แข็งเกินไป ใช้งานโดยใช้ที่แกนหมุนกับระบบบนพื้นเท่านั้น อย่าให้เครื่องกระทบบนพื้น ทางถนน ฯลฯ ตัววนหลาย ๆ รอบสำหรับพื้นที่ที่ตัดไม่ขึ้นสูง

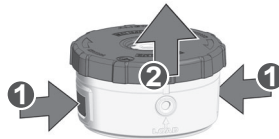
หลีกเลี่ยงไม้ประดับ ภูมิไม้ และต้นไม้ที่ปลูกไว้ ระวังอย่าให้โดนไม้ผาแงง เสาร์ ฯลฯ เนื่องจากอาจเกิดความเสียหายจากเครื่องเล็มหญ้าได้

การเปลี่ยนเอ็น

ใช้เฉพาะเอ็นเครื่องเล็มหญ้า MILWAUKEE เท่านั้น (ดูข้อมูลทางเทคนิค) เปลี่ยนเส้นเอ็นด้วยเส้นขนาด 2.4 มม. 6.0 ม. หรือ 7.6 ม. จากเส้น 2.0 มม. หมายเหตุ: เมื่อใช้โคลี่พื้นผิวที่มีการขัดสีหรือในบริเวณที่มีการเจริญเติบโตหนาแน่นเส้นเอ็นจะสึกหรือเร็วขึ้น

สำหรับการเปลี่ยนเส้นเอ็นตัด โปรดดูที่ส่วนรูปภาพ

ภายใต้การทำงานปกติ เส้นเอ็นที่เหลือควรจะหมุนจากหัวเครื่องเล็มหญ้าในระหว่างการใช้งาน หากยังมีสายเอ็นใด ๆ เหลืออยู่ในส่วนหัว หรือต้องการถอดสายเอ็นที่เหลืออยู่ในส่วนหัวออกเพื่อเปลี่ยนสายเอ็นใหม่ ให้กลับหัวเครื่องเล็มหญ้า ถอดเบตเตอร์และดึงฝาครอบออกจากส่วนหัว



หึงเศษเส้นเอ็นที่เหลือเพียงสั้น ๆ ใส่ฝาครอบกลับเข้าไปที่หัวเครื่องเล็มหญ้า

การขนย้ายและการจัดเก็บ

ปิดเครื่องทุกครั้งขณะที่ขนย้ายจากสถานที่หนึ่งไปยังอีกที่หนึ่ง อย่าถือผลิตภัณฑ์โดยวางนิ้วมืออยู่ที่ใด เนื่องจาก การเปิดใช้งานโดยไม่ได้ตั้งใจอาจทำให้บาดเจ็บสาหัสได้

ถอดเบตเตอร์ออก และปล่อยให้เย็นก่อนจัดเก็บหรือขนย้ายผลิตภัณฑ์

ถือผลิตภัณฑ์โดยจับที่มือจับด้านหน้าเพื่อป้องกันการเปิดใช้งานโดยไม่ได้ตั้งใจ การถือผลิตภัณฑ์อย่างถูกต้องจะช่วยป้องกันการบาดเจ็บได้

หากต้องการขนย้ายโดยยานพาหนะ ให้ยึดผลิตภัณฑ์ไว้โดยอย่าให้สามารถขยับหรือตกลงได้ เพื่อป้องกันไม่ให้มีผู้ได้รับบาดเจ็บหรือผลิตภัณฑ์เสียหาย

ทำความสะอาดทุกจุดที่สัมผัสกับผลิตภัณฑ์ จัดเก็บไว้ในที่แห้งและเย็น และไม่สามารถระบายอากาศได้ดี ซึ่งเด็ก ๆ ไม่สามารถเข้าถึงได้ เก็บไว้ในที่ห่างจากสารที่มีฤทธิ์กัดกร่อน เช่น สารเคมีทำสวนและ เคลือบ ลายฉนวนแข็ง อย่างจัดเก็บผลิตภัณฑ์ไว้กึ่งกลางแจ้ง

ห้ามนำผลิตภัณฑ์ไปแช่ในน้ำหรือใช้ล้างชนิดน้ำ ให้ทำความสะอาดผลิตภัณฑ์ด้วยเครื่องทำความสะอาดที่ใช้แรงดัน การที่น้ำเข้าไปในผลิตภัณฑ์จะเพิ่มความเสี่ยงที่จะเกิดไฟฟ้าช็อตได้ เก็บผลิตภัณฑ์ไว้ในร่ม

ห้ามเก็บผลิตภัณฑ์ไว้ในใกล้บูธหรือสารเคมี

การบำรุงรักษา

ต้องให้ช่องระบายอากาศเปิดโล่งอยู่ตลอดเวลา

การซ่อมบำรุงจะต้องทำด้วยความระมัดระวังเป็นพิเศษและต้องการความรู้เฉพาะด้าน โดยควรให้เฉพาะ เจ้าหน้าที่เทคนิคซ่อมบำรุงที่ผ่านการฝึกอบรมเป็นผู้ดำเนินการสำหรับการซ่อมบำรุง เราขอแนะนำให้คุณส่งผลิตภัณฑ์ไปยังศูนย์บริการของตัวแทนจำหน่ายที่ได้รับอนุญาตใกล้บ้าน ในระหว่างการซ่อมบำรุง ให้ใช้เฉพาะชิ้นส่วนอะไหล่ที่เหมือนกันเท่านั้น

ดับเครื่องของอุปกรณ์และถอดชุดเบตเตอร์ออกก่อนดำเนินการบำรุงรักษาหรือทำความสะอาดใดๆ

คุณสามารถดำเนินการปรับเปลี่ยนและซ่อมแซมได้ตามที่อธิบายไว้ในคู่มือสำหรับการซ่อมแซมขั้นสูง โปรดติดต่อตัวแทนบริการที่ได้รับอนุญาต

สำหรับสายอะไหล่ ให้ใช้เฉพาะสายอะไหล่ของ Milwaukee เท่านั้น คุณยังสามารถตามหาที่อธิบายไว้ใน ตารางข้อมูลจำเพาะของคู่มือฉบับนี้เท่านั้น

หลังจากตัดสายเอ็นตัดใหม่ ให้จัดผลิตภัณฑ์ให้อยู่ในตำแหน่งพร้อมใช้งานปกติก่อนที่จะสตาร์ทเครื่องเสมอ

หลังการใช้งานแต่ละครั้ง ให้ทำความสะอาดผลิตภัณฑ์ด้วยผ้าแห้งที่อ่อนนุ่ม หากมีส่วนใดๆ ที่ได้รับความเสียหาย ควรนำไปส่งให้ ศูนย์บริการ ที่ได้รับอนุญาต ดำเนินการซ่อมแซมหรือเปลี่ยน

ตรวจสอบเป็นประจำว่าได้ใช้น้ำมัน สลัก และสกรูทั้งหมดในระดับความแน่นที่เหมาะสม เพื่อให้แน่ใจว่าผลิตภัณฑ์จะอยู่ในสภาพที่สามารถทำงานได้อย่างปลอดภัย

ใช้อุปกรณ์เสริมและชิ้นส่วนสำรองของ MILWAUKEE เท่านั้น หากจำเป็นต้องเปลี่ยนส่วนประกอบที่ไม่ได้อธิบายไว้ โปรดติดต่อศูนย์บริการของ MILWAUKEE (ดูที่รายการการรับประกัน/ที่อยู่ของศูนย์บริการของเรา)

ท่านสามารถส่งกลับแบบชิ้นส่วนประกอบของผลิตภัณฑ์ได้ หากต้องการ โปรดระบุประเภทผลิตภัณฑ์ที่พิมพ์ไว้พร้อมหมายเลขของหลักบนฉลาก และส่งชื่อแบบอะไหล่จากตัวแทนจำหน่ายในพื้นที่ของคุณ

เครื่องหมาย



โปรดอ่านคำแนะนำอย่างละเอียดก่อนเริ่มใช้งานผลิตภัณฑ์



ระวัง! คำเตือน! อันตราย!



ถอดชุดแบตเตอรี่ออกก่อนเริ่มกระทำการใด ๆ กับผลิตภัณฑ์



สวมถุงมือ



อย่าลืมใส่อุปกรณ์ป้องกันหู!



สวมแว่นตานิรภัยทุกครั้งที่ใช้ผลิตภัณฑ์นี้



สวมรองเท้านิรภัย



สวมกางเกงขายาวเสมอ



ใช้มือทั้งสองข้างในขณะที่ใช้งานผลิตภัณฑ์



ตรวจให้แน่ใจว่าไม่มีบุคคลอยู่ในบริเวณพื้นที่ความเสี่ยงของเครื่องมือถูกตัดออกหรือผลิตภัณฑ์หล่นจากที่สูง



ระวัง - พื้นผิวร้อน!



เว้นระยะ



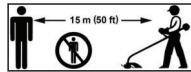
ห้ามให้เครื่องมือเปียกฝน



คำเตือน - ถอดแบตเตอรี่ออกก่อนทำการบำรุงรักษา



อย่าใช้ใบมีดโลหะ



ดูแลอย่าให้มีบุคคลอื่นอยู่ใกล้เคียงอย่างน้อย 15 ม. ในระหว่างการใช้งานผลิตภัณฑ์



ต้องใช้แบตเตอรี่ M18 สองก้อน



มีชิ้นส่วนหรืออุปกรณ์เสริมแยกจำหน่ายต่างหาก

η_0

ความเร็วรอบเปล่า

V

แรงดันไฟฟ้า



กระแสตรง



อย่าทิ้งแบตเตอรี่ใช้แล้ว ชะยะอุปกรณ์ไฟฟ้าและอิเล็กทรอนิกส์รวมกับขยะในครัวเรือนโดยไม่ได้แยกประเภท ให้ทิ้งแบตเตอรี่ใช้แล้ว ชะยะอุปกรณ์ไฟฟ้าและอิเล็กทรอนิกส์แยกต่างหาก หลีกเลี่ยงการใช้งานอุปกรณ์ จะต้องถอดแบตเตอรี่ใช้แล้ว ตัวสะสมพลังงานที่ใช้แล้ว และแหล่งกำเนิดแสงที่ใช้แล้วออกจากตัวเครื่อง ตรวจสอบกับผู้มีอำนาจในท้องถิ่นของคุณหรือร้านค้าปลีกสำหรับคำแนะนำในการรีไซเคิลและจุดเก็บรวบรวม ภายใต้กฎระเบียบในท้องถิ่น ร้านค้าอาจมีข้อมูลในการรวบรวมขยะแบตเตอรี่ใช้แล้วและชะยะอุปกรณ์ไฟฟ้าและอิเล็กทรอนิกส์กลับมาโดยไม่มีค่าใช้จ่ายเพิ่มเติม การนำมาใช้ใหม่และการรีไซเคิลของแบตเตอรี่ใช้แล้ว ชะยะอุปกรณ์ไฟฟ้าและอิเล็กทรอนิกส์จะช่วยลดการใช้วัตถุดิบใหม่ซึ่งช่วยอนุรักษ์ทรัพยากรได้ แบตเตอรี่ใช้แล้วโดยเฉพาะที่มีสารลิเทียมและชะยะอุปกรณ์ไฟฟ้าและอิเล็กทรอนิกส์จะมีวัสดุรีไซเคิลได้ที่มีค่าซึ่งสามารถลดผลกระทบต่อสิ่งแวดล้อมและสุขภาพของคนหาครดักกำจัดทิ้งในลักษณะที่เป็นมิตรกับสิ่งแวดล้อม ลบข้อมูลส่วนบุคคลออกจากอุปกรณ์ที่ยกเลิกใช้งานแล้ว ถ้ามี

Tipe	Pemangkas rumput nirkabel
Voltase	36 V (2 x 18 V) ---
Kecepatan tanpa beban, kecepatan rendah	4900/menit
Kecepatan tanpa beban, kecepatan tinggi	6200/menit
Ø tali pemotongan maks	7,6 m x 2 mm / 6,1 m x 2,4 mm / 4,5 m x 2,7 mm
Kapasitas pemotongan maks	432 mm
Bobot sesuai dengan Prosedur EPTA 01/2014	7,5 kg
Berat (hanya produk)	5,4 kg
Berat baterai (M18B2 - M18HB12)	0,43 kg - 1,49 kg
Suhu pengoperasian sekitar yang direkomendasikan	-18 – +50 °C
Paket baterai yang direkomendasikan	M18B..., M18 HB...
Pengisi daya yang direkomendasikan	M12-18..., M18 DFC, M18 PC6

Informasi kebisingan

Nilai emisi derau ditentukan menurut EN 62841

Tingkat tekanan suara tertimbang A	79,0 dB (A)
K Ketidakpastian	3 dB (A)
Tingkat daya suara tertimbang A	89,7 dB (A)
K Ketidakpastian	3 dB (A)

Selalu gunakan pelindung mata.

Informasi vibrasi

Total nilai vibrasi (jumlah vektor di ketiga aksis) ditentukan sesuai EN 62841.

Nilai $a_{h,v}$ emisi getaran (Tuas depan)	4,56 m/s ²
K Ketidakpastian	1,5 m/s ²
Nilai $a_{h,v}$ emisi getaran (Gagang belakang)	2,62 m/s ²
K Ketidakpastian	1,5 m/s ²


PERINGATAN!

Tingkat getaran total yang dinyatakan dan tingkat emisi derau yang dinyatakan dalam lembaran informasi ini telah diukur sesuai dengan uji standar dan dapat digunakan untuk membandingkan satu alat dengan alat lainnya. Dapat digunakan untuk penilaian awal keterpaparan.

Tingkat getaran dan emisi derau yang dinyatakan menggambarkan aplikasi utama alat ini. Namun jika alat ini digunakan untuk aplikasi yang berbeda, dengan aksesoris yang berbeda atau tidak dirawat dengan baik, getaran dan emisi kebisingan yang timbul mungkin berbeda. Kondisi ini dapat meningkatkan tingkat paparan secara signifikan sepanjang periode kerja keseluruhan.

Perkiraan tingkat paparan terhadap getaran dan derau juga harus memperhitungkan saat-saat ketika alat dimatikan atau ketika produk sedang dinyalakan tetapi tidak digunakan. Kondisi ini dapat menurunkan tingkat paparan secara signifikan selama periode kerja total.

Identifikasi langkah-langkah keselamatan tambahan untuk melindungi operator dari efek getaran dan derau, seperti merawat peralatan dan aksesoris, menjaga tangan tetap hangat (terkait getaran), dan mengatur pola kerja.

 **PERINGATAN!** Baca semua peringatan keselamatan, petunjuk, ilustrasi, dan spesifikasi yang disertakan bersama produk. Tidak dipatuhinya semua petunjuk di bawah ini, dapat berakibat sengatan listrik, kebakaran, dan/atau cedera parah.

Simpan semua peringatan dan petunjuk sebagai referensi sewaktu-waktu.

PERINGATAN KESELAMATAN PEMANGKAS RUMPUT

Jangan gunakan produk saat cuaca buruk, terutama ketika ada risiko terjadi petir. Langkah ini mengurangi risiko tersambar petir.

Periksa dengan teliti akan adanya satwa liar di area tempat produk akan digunakan. Satwa liar dapat terluka oleh produk selama pengoperasian.

Periksa dengan teliti area di mana produk akan digunakan dan singkirkan semua batu, kayu, kabel, tulang, dan benda asing lainnya. Objek yang terlempar dapat menyebabkan cedera.

Sebelum menggunakan produk, selalu periksa secara visual untuk melihat apakah pemotong atau mata pisau dan pemotong, atau rakitan mata pisau tidak rusak. Komponen yang rusak meningkatkan risiko cedera.

Ikuti petunjuk untuk mengganti aksesoris. Mur atau baut penahan mata pisau yang tidak dikencangkan dengan benar dapat merusak mata pisau atau menyebabkannya terlepas.

Gunakan pelindung mata, telinga, kepala, dan telinga. Alat pelindung yang memadai akan mengurangi cedera diri akibat puing-puing yang beterbangan atau kontak yang tidak disengaja dengan tali pemotong atau mata pisau.

Saat mengoperasikan produk, selalu kenakan alas kaki antislip dan pelindung. **Jangan mengoperasikan produk saat bertelanjang kaki atau mengenakan sandal terbuka.** Langkah ini mengurangi kemungkinan cedera pada kaki akibat bersentuhan dengan pemotong atau senar yang bergerak.

Saat mengoperasikan produk, selalu kenakan celana panjang. Kulit yang terbuka meningkatkan kemungkinan cedera oleh benda yang terlempar.

Jauhkan pengamat saat mengoperasikan produk. Puing-puing yang beterbangan dapat menyebabkan cedera yang serius.

Selalu gunakan dua tangan saat mengoperasikan produk. Pegang produk dengan kedua tangan untuk mencegah kehilangan kendali.

Pegang produk hanya pada permukaan yang berinsulasi karena tali atau bilah pemotong dapat menyentuh kabel tersembunyi. Tali atau bilah pemotong yang menyentuh kabel yang 'teraliri' dapat membuat bagian logam dari produk yang terspekos menjadi 'teraliri' dan menyebabkan operator tersengat listrik.

Selalu gunakan pijakan yang layak dan operasikan produk hanya ketika berdiri di atas tanah. Permukaan yang licin atau tidak stabil dapat menyebabkan hilangnya keseimbangan atau kendali atas produk.

Jangan mengoperasikan produk di lereng yang terlalu curam. Langkah ini mengurangi risiko kehilangan kendali, terpeleset, dan jatuh yang dapat mengakibatkan cedera.

Saat bekerja di lereng, selalu pastikan pijakan Anda, selalu bekerja di seberang lereng, jangan naik atau turun dan berhati-hatilah saat mengubah arah. Langkah ini mengurangi risiko kehilangan kendali, terpeleset, dan jatuh yang dapat mengakibatkan cedera.

Jauhkan semua bagian tubuh dari pemotong, tali, atau bilah ketika produk sedang menyala. Sebelum Anda menyalaikan produk, pastikan mata pisau, tali pemangkas, atau bilah pemotong tidak menyentuh apa pun. Kelalaian sesaat saat mengoperasikan produk dapat mengakibatkan cedera pada diri Anda atau orang lain.

Jangan mengoperasikan produk di atas tinggi pinggang. Cara ini membantu mencegah kontak yang tidak diinginkan dengan pemotong atau mata pisau dan memungkinkan kendali yang lebih baik atas produk dalam situasi yang tidak terduga.

Saat memotong semak atau belukar yang sedang ditarik, waspadai gaya balik. Ketika tegangan dalam serat kayu dilepaskan, semak atau belukar tersebut dapat menghantam operator dan/atau membuat produk terlepas dari kendali.

Lebih berhati-hatilah saat memotong semak dan anakan pohon. Bahan yang lembut dapat menangkap mata pisau pemotong dan menyentak ke arah Anda atau menarik Anda hingga kehilangan keseimbangan.

Pertahankan kendali atas produk dan jangan sentuh mata pisau, tali pemangkas, atau bilah pemotong, dan bagian bergerak berbahaya lainnya ketika komponen tersebut masih bergerak. Hal ini mengurangi risiko cedera akibat bagian yang bergerak.

Saat membersihkan bahan yang tersangkut atau ketika memperbaiki produk, pastikan semua sakelar dimatikan dan unit baterai dilepaskan. Penyalaan produk yang tidak disengaja saat membersihkan material yang tersangkut atau saat menyervis dapat mengakibatkan cedera parah.

Angkat produk dalam kondisi produk dimatikan dan menjauh dari tubuh Anda. Penanganan produk yang benar akan mengurangi kemungkinan kontak yang tidak disengaja dengan pemotong, tali atau mata pisau pemangkas yang bergerak.

Hanya gunakan mata pisau, tali pemangkas, kepala pemotong, dan bilah pemotong pengganti yang ditentukan

oleh produsen. Suku cadang pengganti yang tidak tepat dapat meningkatkan risiko kerusakan dan cedera.

PETUNJUK KESELAMATAN TAMBAHAN

Jangan membiarkan anak-anak, orang dengan kemampuan fisik, indra atau mental yang kurang, orang yang tidak memiliki pengalaman dan pengetahuan yang cukup atau orang-orang yang tidak paham dengan petunjuk penggunaan ini untuk menggunakan produk. Peraturan setempat mungkin membatasi usia operator. Jauhkan tangan dari perangkat tajam yang dimaksudkan untuk membatasi panjang tali filamen.

Jaga lubang ventilasi bersih dari puing-puing.

Jangan memakai beberapa tali bahu secara bersamaan. Saat mengenakan tali bahu, pastikan tidak ada bahan lain yang digunakan yang mengganggu pelepasan dan pelepasan tali.

Jangan gunakan ekstensi tambahan dengan alat tambahan produk ini. Panjang (kabel) tambahan membuat alat tambahan sulit dikendalikan dan dapat menyebabkan cedera.

Jangan menggunakan produk di dekat objek apa pun yang sedang terbakar atau berasap, seperti rokok, korek api, atau abu panas.

Untuk mengurangi risiko bahaya kesehatan dari uap atau debu lain, jangan menggunakan produk di dekat material beracun, karsinogenik, atau berbahaya, seperti asbestos, arsenik, barium, berilium, timah, pestisida, atau bahan membahayakan kesehatan lainnya.

Berhati-hatilah saat menggunakan produk di sekitar tanaman hias dan rintangan lainnya. Aksesori akan memotong/merusak berbagai material.

Jangan mengoperasikan produk tanpa pegangan depan pada tempatnya. Pegangan depan harus terpasang dengan benar selama penggunaan.

Penahan untuk gerakan tak terduga saat kontak dilakukan dengan benda keras. Kehilangan kendali dapat mengakibatkan cedera parah.

Objek yang terlempar dapat memantul dari permukaan yang keras, seperti dinding, pohon, dan batu serta dapat menyebabkan cedera. Bila memungkinkan, lakukan pemotongan dengan tangan di area tertutup.

Bersihkan area kerja sebelum digunakan. Pindahkan semua benda, seperti tali, lampu, kabel, atau benang yang dapat terlempar atau tersangkut dalam alat pemotong.

Pastikan pengamat/penonton berada pada jarak aman dari produk ini.

Jangan mengoperasikan produk dalam kondisi pencahayaan yang kurang baik. Operator membutuhkan gambaran yang jelas akan area kerja guna mengidentifikasi potensi bahaya.

Periksa produk sebelum digunakan. Periksa apakah ada pengunci yang longgar, dll. Pastikan semua pelindung, dan tuas terpasang dengan baik dan aman. Ganti semua bagian yang rusak sebelum digunakan. Periksa akan adanya kebocoran paket baterai.

Jangan memodifikasi produk dengan cara apa pun.

Gunakan pelindung mata dan telinga keseluruhan saat mengoperasikan produk. Jika bekerja di dalam sebuah area di mana ada risiko benda jatuh, pelindung kepala harus digunakan.

Ikutlah rambut yang panjang sehingga rambut berada di atas bahu agar tidak tersangkut di dalam bagian alat yang bergerak.

Jangan menggunakan produk ketika Anda sedang lelah, sakit, atau di bawah pengaruh alkohol, obat-obatan atau dalam pengobatan.

Jaga pijakan dan keseimbangan tetap kokoh. Jangan melampaui batas. Menjangkau melampaui batas dapat mengakibatkan hilangnya keseimbangan atau paparan ke permukaan yang panas.

PERINGATAN! Jika produk mati, rusak berat, atau mulai bergetar secara tidak normal, segera matikan produk dan periksa kerusakan atau identifikasi penyebab getaran. Bagian manapun yang rusak atau aus harus diperbaiki sebagaimana mestinya atau diganti oleh pusat layanan resmi.

PERINGATAN KESELAMATAN BATERAI TAMBAHAN

PERINGATAN! Untuk mengurangi risiko kebakaran, cedera pribadi, dan kerusakan produk akibat hubungan arus pendek, jangan pernah merendam alat, baterai atau charger Anda dalam cairan atau membiarkan cairan mengalir di dalamnya. Cairan korosif atau konduktif, seperti air laut, bahan kimia industri tertentu, dan produk pemutih atau yang mengandung pemutih, dan sebagainya, dapat menyebabkan hubungan arus pendek.

KONDISI PENGGUNAAN KHUSUS

Produk ini dimaksudkan hanya untuk penggunaan di luar ruangan oleh seorang operator yang berdiri.

Produk ini dirancang untuk memotong rumput, ilalang tipis, atau tumbuhan lain yang sejenis yang tumbuh pada atau setinggi permukaan tanah.

Bidang pemotongan harus hampir paralel dengan permukaan tanah saat melakukan pemangkasan.

Produk ini tidak untuk digunakan untuk memotong atau memangkas tanaman pagar, semak-semak, atau tumbuhan lain di mana bidang pemotongan tidak pada atau setinggi permukaan tanah.

Jangan menggunakan produk untuk tujuan lain.

RISIKO RESIDUAL

Bahkan ketika produk digunakan seperti yang ditentukan, masih tidak mungkin untuk sepenuhnya menghilangkan faktor risiko residual tertentu. Bahaya mungkin timbul selama penggunaan produk dan operator harus memberikan perhatian khusus untuk menghindari hal-hal berikut:

- cedera yang disebabkan oleh vibrasi
 - Pegang produk dengan menggunakan tuas yang disediakan dan batasi waktu kerja dan paparan.
- cedera pendengaran yang disebabkan paparan terhadap suara
 - Kerusakan pendengaran, batasi paparan dan gunakan pelindung pendengaran yang sesuai.
- cedera akibat terbanan serpihan
 - Kenakan alat pelindung diri yang sesuai, celana panjang yang tebal, sarung tangan, alas kaki yang kuat, dan kacamata pengaman, setiap saat.
- bahaya kesehatan yang disebabkan oleh terhirupnya debu beracun
 - Gunakan masker jika perlu.

PETUNJUK KESELAMATAN BATERAI

Jangan membuang unit baterai bekas dalam sampah rumah tangga atau membakarnya. Distributor MILWAUKEE menawarkan untuk mengambil baterai lama guna melindungi lingkungan kita.

Jangan menyimpan paket baterai bersama benda logam (risiko arus pendek).

Hanya gunakan pengisi daya System M18 untuk mengisi daya paket baterai System M18. Jangan menggunakan unit baterai dari sistem lain.

Jangan sekali-kali membuka unit baterai dan pengisi daya serta hanya simpan di tempat kering. Jaga kemasan baterai dan pengisi daya tetap kering di sepanjang waktu.

Asam baterai dapat merembes dari baterai yang rusak akibat beban atau suhu yang ekstrem. Jika asam baterai mengenai Anda, segera

cuci dengan sabun dan air jika mengenai mata, bilas sebanyak-banyaknya selama setidaknya 10 menit dan segera dapatkan penanganan medis.

Tidak ada komponen logam yang diperbolehkan memasuki kompartemen baterai pada pengisi daya (risiko arus pendek).

BATERAI

Paket baterai yang belum digunakan selama beberapa waktu harus diisi kembali dayanya sebelum digunakan.

Suhu yang melebihi 50°C akan mengurangi kinerja paket baterai. Hindari paparan berkepanjangan terhadap panas atau sinar matahari (risiko panas berlebihan).

Kontak pengisi daya dan paket baterai harus dijaga kebersihannya.

Untuk masa pemakaian optimal, paket baterai harus diisi dayanya hingga penuh setelah digunakan.

Untuk memaksimalkan masa pemakaian baterai, lepaskan paket baterai dari pengisi daya setelah terisi sepenuhnya.

Untuk penyimpanan paket baterai lebih dari 30 hari:

- Simpan paket baterai jika suhu berada di bawah 27°C dan jauhkan dari kelembapan.
- Simpan paket baterai dalam kondisi terisi dayanya 30% - 50%.
- Jika penyimpanan paket baterai mencapai enam bulan, isi daya baterai seperti biasa.

PERLINDUNGAN KEMASAN BATERAI

Dalam torsi yang sangat tinggi, mengikat, mogok dan situasi arus pendek yang menyebabkan tarikan arus tinggi, alat akan bergetar selama sekitar 5 detik, pengukur bahan bakar akan berkedip, dan kemudian alat akan padam. Untuk menyétel ulang, lepaskan pemacu.

Dalam kondisi ekstrem, suhu dalam baterai dapat meningkat. Jika hal ini terjadi, pengukur bahan bakar akan berkedip hingga paket baterai menjadi lebih dingin. Ketika lampu padam, lanjutkan pekerjaan.

MENGANGKUT BATERAI LITUM

Baterai litium-ion tunduk pada persyaratan Legisiasi Barang Berbahaya.

Pengangkutan baterai ini harus dilakukan sesuai regulasi dan peraturan daerah, nasional, dan internasional.

Baterai dapat diangkut melalui jalan darat tanpa persyaratan khusus.

Pengangkutan komersial baterai lithium-ion oleh pihak ketiga harus tunduk pada Peraturan terkait Barang Berbahaya. Persiapan pengangkutan dan pengangkutan harus dilakukan oleh orang yang terlatih dan prosesnya harus didampingi oleh pakar yang terkait.

Ketika mengangkut baterai:

- Pastikan terminal kontak baterai terlindungi dan terinsulasi untuk mencegah terjadinya korsleting.
- Pastikan bahwa unit baterai aman dari gerakan dalam pengemasan.
- Jangan mengangkut baterai yang retak atau bocor.
- Tanyakan kepada perusahaan ekspedisi untuk mendapatkan saran lebih lanjut.

PENGOPERASIAN

Untuk mengumpangkan tali, tekan spool kepala pemangkas ke tanah dengan perlahan sambil menjalankan dengan kecepatan normal.

CATATAN: Saat digunakan di dekat permukaan yang abrasif atau dalam tumbuhan yang padat, tali pemotong lebih cepat aus dan lebih sering membutuhkan "bumping".

KIAT PEMOTONGAN

Biarkan ujung tali melakukan pemotongan.

Kontak antara tali pemotong dan benda padat menyebabkan keausan dan kerusakan tali lebih sering terjadi.

Jangan menyeret penutup spool di tanah atau membenturkannya terlalu keras. Benturkan spool hanya di atas tanah. Jangan benturkan ke batu, jalan masuk ke garasi, dll.

Lakukan beberapa ayunan pada tanaman yang panjang.

Hindari pohon, semak, dan tanaman hias. Hindari kontak dengan dinding, tiang pagar, dll. Dinding atau tiang pagar dapat rusak oleh pemangkas.

MENGANTI TALI PEMOTONG

Hanya gunakan tali pemangkas MILWAUKEE (lihat data teknis). Gantilah tali pemotong dengan tali 6 m berdiameter 2,4 mm atau tali 7,6 m berdiameter 2 mm. Catatan: Saat digunakan di dekat permukaan yang abrasif atau dalam tumbuhan yang padat, tali pemotong lebih cepat aus.

Untuk mengganti tali pemotong, lihat bagian gambar.

Dalam operasi normal, senar yang tersisa harus dibuang dari kepala pemintalan selama digunakan. Jika ada tali yang tersisa di kepala, atau untuk melepas seuntai tali untuk menggantinya dengan tipe lain, balik kepala pemangkas, tekan tab pelepas dan tarik penutup dari kepala tersebut.



Buang sisa-sisa tali yang pendek. Pasang kembali penutup ke kepala pemangkas.

PENGANGKUTAN DAN PENYIMPANAN

Selalu matikan produk saat memindahkannya dari satu lokasi ke lokasi lain. Jangan membawa produk dengan jari Anda di posisi pelatuk. Penyalan yang tidak disengaja dapat menyebabkan cedera diri yang parah.

Lepaskan baterai dan biarkan alat menjadi dingin sebelum menyimpan atau mengangkutnya.

Bawa produk dengan memegang pegangan depan untuk menghindari penyalan yang tidak disengaja. Penanganan produk yang tepat mencegah cedera.

Untuk pengangkutan dengan kendaraan, amankan produk dari pergerakan atau kejatuhan agar tidak menyebabkan cedera terhadap seseorang atau produk itu sendiri.

Bersihkan semua material asing dari produk. Simpanlah di dalam tempat yang sejuk dan berventilasi baik yang tidak dapat dijangkau oleh anak-anak. Jauhkan dari bahan-bahan korosif seperti bahan kimia untuk berkebulun dan garam peluruh es. Jangan menyimpan produk di luar ruangan.

Jangan merendam produk dalam air atau menyempromnya dengan selang. Jangan bersihkan produk dengan mesin pencuci bertekanan. Air yang masuk ke produk meningkatkan risiko sengatan listrik. Simpan produk di dalam ruangan.

Jangan menyimpan produk di atas atau di dekat pupuk atau bahan kimia.

PEMELIHARAAN

Slot ventilasi produk tidak boleh tertutup sepanjang waktu.

Perbaikan membutuhkan kehati-hatian ekstra dan pengetahuan, dan harus dilakukan hanya oleh seorang teknisi yang memenuhi syarat. Untuk perbaikan, kami menyarankan agar Anda mengembalikan produk ke pusat servis resmi terdekat. Ketika memperbaiki, gunakan hanya suku cadang yang benar-benar identik/serupa.

Matikan dan lepaskan baterai sebelum melakukan perawatan atau pembersihan.

Anda dapat melakukan penyesuaian atau perbaikan yang dijelaskan di sini. Untuk perbaikan lain, hubungi agen layanan resmi.

Untuk penggantian tali, hanya gunakan tali filamen nilon dengan diameter yang dijelaskan dalam tabel spesifikasi dari manual ini.

Setelah memperpanjang tali pemotong baru, selalu kembalikan produk ke posisi operasi normalnya sebelum menyalakan.

Setelah penggunaan, bersihkan produk dengan kain yang halus dan kering. Bagian manapun yang rusak atau aus harus diperbaiki sebagaimana mestinya atau diganti oleh pusat layanan resmi.

Sering-seringlah memeriksa semua mur, baut, dan sekrup untuk memastikan produk berada dalam kondisi kerja yang aman.

Gunakan hanya aksesoris MILWAUKEE dan suku cadang MILWAUKEE. Jika komponen yang belum dijelaskan harus diganti, hubungi salah satu dari pusat layanan MILWAUKEE kami (lihat daftar alamat layanan/garansi kami).

Jika diperlukan, gambar pecahan komponen dapat dipesan.

Sebutkan tipe produk dan enam digit angka yang tertera pada label dan pesanlah gambarnya pada agen layanan setempat.

SIMBOL



Baca petunjuk dengan cermat sebelum memulai menggunakan produk.



PERHATIAN! PERINGATAN! BAHAYA!



Lepaskan paket baterai sebelum memulai pekerjaan apa pun pada produk.



Pakai sarung tangan!



Pakailah pelindung telinga!



Selalu pakai kacamata goggle saat menggunakan produk ini.



Kenakan sepatu pengaman!



Kenakan celana panjang.



Gunakan kedua tangan saat mengoperasikan produk.



Pastikan tidak ada orang yang berisiko terkena material yang terlempar keluar atau terjatuh.



AWAS - permukaan panas!



Jaga jarak.



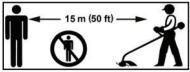
Alat ini tidak boleh terkena hujan sama sekali.



PERINGATAN - Lepaskan baterai sebelum melakukan pemeliharaan.



Jangan gunakan bilah logam.



Jaga jarak pengamat setidaknya 15m selama penggunaan.



Diperlukan dua baterai M18.



Suku cadang dan aksesoris dijual terpisah.

n_0

Kecepatan tanpa beban

V

Voltase



Arus Searah



Jangan membuang limbah baterai, limbah peralatan listrik dan elektronik sebagai limbah kota yang tidak disortir. Limbah baterai dan limbah peralatan listrik dan elektronik harus dikumpulkan secara terpisah. Baterai limbah, akumulator limbah, dan sumber cahaya harus disingkirkan dari peralatan. Tanyakan kepada pihak berwenang atau peritel setempat mengenai daur ulang dan titik pengumpulan. Menurut peraturan setempat, penjual dapat diwajibkan untuk menerima kembali baterai bekas dan limbah peralatan listrik dan elektronik tanpa mengenakan biaya. Kontribusi Anda untuk menggunakan kembali dan mendaur ulang limbah baterai dan limbah peralatan listrik dan elektronik membantu mengurangi permintaan bahan baku. Baterai bekas, khususnya yang mengandung litium dan limbah peralatan listrik dan elektronik mengandung material berharga yang dapat didaur ulang, yang dapat berdampak buruk pada lingkungan dan kesehatan manusia, jika tidak dibuang dengan cara yang ramah lingkungan. Hapus data personel dari peralatan yang dibuang, jika ada.

Loại	Máy cắt tỉa cỏ không dây
Điện áp	36 V (2 x 18 V) ---
Tốc độ không tải, tốc độ chậm	4900/phút
Tốc độ không tải, tốc độ cao	6200/phút
Ø đường cắt tối đa	7,6 m x 2 mm / 6,1 m x 2,4 mm / 4,5 m x 2,7 mm
Công suất cắt tối đa	432 mm
Trọng lượng theo Quy Trình EPTA 01/2014	7,5 kg
Trọng lượng (chỉ sản phẩm)	5,4 kg
Trọng lượng pin (M18B2 - M18HB12)	0,43 kg - 1,49 kg
Nhiệt độ môi trường khuyến nghị khi vận hành	-18 – +50 °C
Loại pin được khuyến nghị	M18B..., M18 HB...
Bộ sạc được khuyến nghị	M12-18..., M18 DFC, M18 PC6

Thông tin về tiếng ồn

Giá trị phát sinh tiếng ồn được xác định theo tiêu chuẩn EN 62841.

Cấp độ áp suất âm thanh trọng số A	79,0 dB (A)
Độ bất định K	3 dB (A)
Cấp độ công suất âm thanh trọng số A	89,7 dB (A)
Độ bất định K	3 dB (A)

Luôn đeo thiết bị bảo vệ tai.

Thông tin về độ rung

Tổng giá trị rung chấn (tổng véc-tơ theo ba trục) được xác định theo tiêu chuẩn EN 62841.

Giá trị phát thải rung chấn a_{hh} (Tay Cầm Trước)	4,56 m/s ²
Độ bất định K	1,5 m/s ²
Giá trị phát thải rung chấn a_{hs} (Tay Cầm Sau)	2,62 m/s ²
Độ bất định K	1,5 m/s ²



CẢNH BÁO!

Tổng giá trị mức độ rung chấn và giá trị phát thải tiếng ồn được công bố được đưa ra trong hướng dẫn sử dụng này đã được đo theo thử nghiệm chuẩn hóa đã cho có thể được sử dụng để so sánh với công cụ khác. Có thể sử dụng chúng để đánh giá sơ bộ về mức độ tiếp xúc.

Các giá trị phát thải tiếng ồn và rung chấn được công bố thể hiện cho ứng dụng chính của công cụ. Tuy nhiên, nếu sản phẩm được sử dụng cho các ứng dụng khác nhau, với các phụ kiện khác nhau hoặc được bảo dưỡng kém, thì mức độ phát rung chấn và tiếng ồn có thể khác nhau. Những điều kiện này có thể làm tăng đáng kể mức độ tiếp xúc trong tổng thời gian làm việc.

Việc ước tính mức độ tiếp xúc với tiếng ồn và rung chấn cần tính đến số lần công cụ được tắt hoặc khi nó đang chạy không tải. Những điều kiện này có thể làm giảm đáng kể mức độ tiếp xúc trong tổng thời gian làm việc.

Xác định các biện pháp an toàn bổ sung để bảo vệ người vận hành khỏi các tác động của rung chấn và tiếng ồn, như bảo trì công cụ và các phụ kiện, giữ cho tay ấm (trong trường hợp rung chấn), sắp xếp các quy trình làm việc.



CẢNH BÁO! Hãy đọc tất cả các cảnh báo an toàn, hướng dẫn, hình minh họa và thông số kỹ thuật đi kèm sản phẩm này.

Không tuân thủ những cảnh báo và chỉ dẫn có thể dẫn đến chấn thương nghiêm trọng.

Giữ lại tất cả những cảnh báo và chỉ dẫn để tham khảo sau này.

CẢNH BÁO AN TOÀN DÀNH CHO MÁY CẮT TỈA CỎ

Không sử dụng sản phẩm trong điều kiện thời tiết xấu, đặc biệt là khi có nguy cơ xảy ra sét đánh. Làm như vậy sẽ giúp giảm nguy cơ bị sét đánh.

Kiểm tra kỹ lưỡng khu vực có động vật hoang dã nơi sẽ sử dụng sản phẩm. Động vật hoang dã có thể bị thương do sản phẩm trong quá trình vận hành.

Kiểm tra kỹ khu vực sử dụng sản phẩm và loại bỏ tất cả đá, que, dây, xương và các vật lạ khác. Vật thể bị văng ra có thể gây thương tích cho người.

Trước khi sử dụng sản phẩm, luôn kiểm tra bằng mắt thường để thấy máy cắt hoặc lưỡi cắt và cụm máy cắt hoặc lưỡi cắt không bị hư hỏng. Các bộ phận bị hư hỏng làm tăng nguy cơ bị thương.

Làm theo hướng dẫn khi thay phụ kiện. Các đai ốc hoặc bu lông giữ chặt lưỡi cắt được siết chặt không đúng cách có thể làm hỏng lưỡi cắt hoặc dẫn đến việc lưỡi cắt bị rơi ra.

Đeo dụng cụ bảo vệ mắt, tai và tay. Thiết bị bảo hộ đầy đủ sẽ giúp giảm thương tích cá nhân do các mảnh vỡ bay hoặc vô tình tiếp xúc với đường cắt hoặc lưỡi cắt.

Trong khi vận hành sản phẩm, luôn đeo giày bảo hộ và chống trượt. **Không vận hành sản phẩm khi đi chân trần hoặc đi dép hở.** Làm vậy sẽ giúp giảm nguy cơ bị thương cho bàn chân do tiếp xúc với dây hoặc máy cắt đang di chuyển.

Trong khi vận hành sản phẩm, luôn mặc quần dài. Da tiếp xúc làm tăng khả năng bị thương do vật văng ra.

Tránh xa những người xung quanh trong khi vận hành sản phẩm. Các mảnh vỡ văng ra có thể dẫn đến thương tích cá nhân nghiêm trọng.

Luôn sử dụng hai tay khi vận hành sản phẩm. Giữ sản phẩm bằng cả hai tay để tránh mất kiểm soát.

Chỉ giữ sản phẩm bằng các bề mặt tiếp xúc điện, vì dây hoặc lưới cắt có tiếp xúc với dây ăng. Dây hoặc các lưới cắt tiếp xúc với dây điện "sống" có thể dẫn đến cho các phần kim loại bị hở của máy và khiến người vận hành bị điện giật.

Luôn luôn để chân đúng cách và chỉ vận hành sản phẩm khi đứng trên mặt đất. Bề mặt trơn hoặc không ổn định có thể gây mất cân bằng hoặc không thể kiểm soát sản phẩm.

Không vận hành sản phẩm trên các dốc quá cao. Làm vậy sẽ giúp giảm nguy cơ mất kiểm soát, trượt và ngã có thể dẫn đến thương tích cá nhân.

Khi làm việc trên dốc, hãy luôn để chân chắc chắn, luôn làm việc trên mặt của dốc, không bao giờ đưa lên hoặc xuống và hết sức thận trọng khi thay đổi hướng. Làm vậy sẽ giúp giảm nguy cơ mất kiểm soát, trượt và ngã có thể dẫn đến thương tích cá nhân.

Giữ tất cả các bộ phận có thể cách xa máy cắt, dây hoặc lưới cắt khi sản phẩm đang hoạt động. Trước khi bạn khởi động sản phẩm, hãy đảm bảo rằng máy cắt, dây hoặc lưới cắt không tiếp xúc với bất cứ thứ gì. Chỉ một giây phút không chú ý trong lúc vận hành sản phẩm cũng có thể dẫn đến thương tích cho chính bạn hoặc người khác.

Không vận hành sản phẩm trên chiều cao của thất lưng. Như vậy sẽ giúp ngăn chặn tình huống vô tình tiếp xúc với máy cắt hoặc lưới cắt và cho phép kiểm soát sản phẩm tốt hơn trong các tình huống bất ngờ.

Khi cắt bụi cây hoặc cây non đang chịu lực căng, hãy cảnh giác với tình huống lò xo bị bật lại. Khi sức căng trong các sợi gỗ được giải phóng, bụi cây hoặc cây non có thể đập vào người vận hành và/hoặc văng sản phẩm ra khỏi tầm kiểm soát.

Hãy hết sức thận trọng khi cắt bụi cây và cây non. Vật liệu mảnh có thể giữ lưới cắt và quạt về phía bạn hoặc kéo bạn mất thăng bằng.

Liên tục kiểm soát sản phẩm và không chạm vào máy cắt, dây hoặc lưới cắt và các bộ phận chuyển động nguy hiểm khác khi chúng vẫn đang chuyển động. Điều này làm giảm nguy cơ chấn thương từ các bộ phận chuyển động.

Khi dọn vật liệu bị kẹt hoặc khi bảo dưỡng sản phẩm, hãy đảm bảo là đã tắt tất cả công tắc và đã hoặc ngắt kết nối bộ pin. Nếu sản phẩm khởi động bất ngờ trong khi loại bỏ vật liệu bị kẹt hoặc bảo dưỡng thì có thể dẫn đến thương tích cá nhân nghiêm trọng.

Cẩn sản phẩm khi đã tắt sản phẩm và tránh xa cơ thể của bạn. Cẩn sản phẩm đúng cách sẽ làm giảm khả năng vô tình tiếp xúc với máy cắt, dây hoặc lưới cắt đang chuyển động.

Chỉ sử dụng đầu cắt thay thế, dây, máy cắt và lưới cắt theo chỉ định của nhà sản xuất. Các bộ phận thay thế không chính xác có thể làm tăng nguy cơ bị hỏng và bị thương.

CẢNH BÁO AN TOÀN BỔ SUNG

Không bao giờ cho phép trẻ em, người có chức năng thể chất, giác quan hoặc nhận thức suy giảm, người thiếu kiến thức và kinh nghiệm, hoặc những người không biết những hướng dẫn này sử

dụng sản phẩm. Các quy định của địa phương có thể hạn chế tuổi tác của người vận hành.

Đề tay tránh xa bất kỳ thiết bị sắc nhọn nào dùng để hạn chế độ dài của dây sợi nhỏ.

Không để mảnh vụn rơi vào bất kỳ lỗ thông gió nào.

Không đeo nhiều dây đeo vai đồng thời. Khi đeo dây đeo vai, hãy đảm bảo rằng không có thiết bị đeo nào khác cản trở việc tháo và bỏ dây đeo.

Không sử dụng phần gắn nối dài với phần gắn nối sản phẩm. Chiều dài tăng thêm khiến phần gắn nối này khó kiểm soát và có thể gây thương tích.

Không sử dụng sản phẩm gắn bất cứ thứ gì đang cháy hoặc bốc khói, chẳng hạn như thuốc lá, diêm, hoặc tro nóng.

Để giảm nguy cơ nguy hiểm cho sức khỏe từ hơi hoặc bụi khác, không sử dụng sản phẩm gần các vật liệu gây ung thư, độc hại hoặc nguy hiểm, chẳng hạn như amiăng, arsen, bari, berili, chì, thuốc trừ sâu hoặc các vật liệu gây nguy hiểm cho sức khỏe khác.

Hãy cẩn thận khi sử dụng sản phẩm xung quanh các cây trang trí và các chương ngại vật khác. Phụ kiện sẽ cắt/làm hư hại nhiều vật liệu.

Không vận hành sản phẩm mà không có tay cầm phía trước tại chỗ. Tay cầm phía trước phải được gắn đúng cách trong quá trình sử dụng.

Chàng chống để di chuyển bất ngờ khi tiếp xúc với vật cứng. Mất kiểm soát có thể dẫn đến thương tích nghiêm trọng.

Các vật thể bị ném có thể bong ra khỏi các bề mặt cứng, chẳng hạn như tường, cây và đá và có thể gây thương tích. Khi có thể, hãy cắt bằng tay ở những khu vực kín.

Dọn dẹp khu vực làm việc trước mỗi lần sử dụng. Loại bỏ tất cả các vật thể, chẳng hạn như dây, đèn, dây điện hoặc dây bện có thể bị văng ra hoặc bị vướng vào các phương tiện cắt.

Yêu cầu những người xung quanh giữ khoảng cách an toàn với sản phẩm.

Không sử dụng sản phẩm trong điều kiện ánh sáng kém. Người vận hành cần có tầm nhìn rõ ràng ở khu vực làm việc để xác định các mối nguy tiềm ẩn.

Kiểm tra sản phẩm trước mỗi lần sử dụng. Kiểm tra xem các chốt có bị lỏng không, v.v. Đảm bảo rằng tất cả các khung bảo vệ và tay cầm được gắn đúng cách và chắc chắn. Thay thế bất kỳ bộ phận nào bị hỏng trước khi sử dụng. Kiểm tra các bộ pin xem có rò rỉ không.

Không sửa đổi sản phẩm dưới bất kỳ hình thức nào.

Đeo thiết bị bảo vệ mắt và thính giác đầy đủ trong khi vận hành sản phẩm. Nếu làm việc trong khu vực có nguy cơ rơi đổ vật, hãy đeo thiết bị bảo vệ đầu thích hợp.

Cột chặt phần tóc dài trên vai để tránh vướng vào các bộ phận chuyển động.

Không sử dụng sản phẩm trong khi bạn đang mệt mỏi hoặc chịu ảnh hưởng từ rượu, ma túy hoặc thuốc.

Giữ chân vững chắc và cân bằng. Không với quá xa. Với quá xa có thể dẫn đến mất cân bằng hoặc tiếp xúc với bề mặt nóng.

▲ CẢNH BÁO! Nếu sản phẩm bị rơi, bị va đập mạnh hoặc bắt đầu rung động bất thường, hãy dừng ngay sản phẩm và kiểm tra hư hỏng hoặc xác định nguyên nhân gây ra rung động. Bất kỳ hư hỏng nào phải được trung tâm bảo dưỡng được ủy quyền sửa chữa hoặc thay thế thích hợp.

CÁC CẢNH BÁO AN TOÀN BỔ SUNG CHO PIN

▲ CẢNH BÁO! Để giảm nguy cơ hỏa hoạn, chấn thương cá nhân và hư hại sản phẩm do ngắn mạch, không bao giờ nối ngắn sản phẩm, pin hay bộ sạc trong chất lỏng hoặc cho phép chất lỏng xâm nhập vào chúng. Các chất lỏng an toàn hoặc dẫn điện, ví dụ

như nước biển, một số hóa chất công nghiệp, và chất tẩy hoặc sản phẩm chứa chất tẩy, v.v., đều có thể gây ngắn mạch.

ĐIỀU KIỆN SỬ DỤNG CỤ THỂ

Sản phẩm chỉ được thiết kế để người vận hành đứng sử dụng ngoài trời.

Sản phẩm được thiết kế để cất cỏ, cỏ dại mềm và các loại thực vật tương tự khác bằng hoặc ngang với mặt đất.

Mặt phẳng cắt phải gần như song song với mặt đất khi cắt.

Không được sử dụng sản phẩm để cắt hoặc tia hàng rào, bụi rậm, hoặc các thảm thực vật khác có mặt phẳng cắt không bằng hoặc ngang với mặt đất.

Không sử dụng sản phẩm cho bất kỳ mục đích nào khác.

RỦI RO CÓ HỮU

Ngay cả khi sử dụng sản phẩm theo chỉ định, thì vẫn không thể loại bỏ hoàn toàn các yếu tố rủi ro còn lại. Các mối nguy hiểm sau đây có thể phát sinh khi sử dụng sản phẩm và người vận hành cần đặc biệt chú ý để tránh những điều sau đây:

- chấn thương do rung động
 - Giữ sản phẩm bằng tay cầm được chỉ định và hạn chế thời gian làm việc và tiếp xúc.
- tổn thương thính giác do tiếp xúc với tiếng ồn
 - Hạn chế tiếp xúc và đeo đồ bảo vệ thính giác phù hợp.
- bị thương do mảnh vỡ bay ra
 - Luôn đeo thiết bị bảo hộ cá nhân thích hợp, mặc quần dài dày, đeo găng tay, xỏ giày dép chắc chắn và đeo kính an toàn.
- mối nguy hiểm cho sức khỏe do hít phải bụi độc hại
 - Đeo khẩu trang nếu cần.

HƯỚNG DẪN AN TOÀN CHO PIN

Không tháo bỏ pin cũ theo rác thải sinh hoạt hoặc đốt chúng. Các nhà phân phối MILWAUKEE đề nghị được lấy lại các pin cũ để bảo vệ môi trường của chúng ta.

Không bảo quản pin cùng với vật dụng kim loại (nguy cơ ngắn mạch).

Chỉ sử dụng các bộ sạc hệ M18 để sạc pin hệ M18. Không sử dụng bình pin từ các hệ thống khác.

Không bao giờ tự ý mở các pin và bộ sạc, và chỉ bảo quản chúng trong các phòng khô. Luôn đảm bảo các pin và bộ sạc được khô.

Axit trong pin có thể rò rỉ từ pin bị hư hại trong điều kiện nhiệt độ khắc nghiệt hoặc tải quá nặng. Nếu bị tiếp xúc với axit trong pin, hãy rửa ngay lập tức bằng xà phòng và nước. Trong trường hợp axit tiếp xúc với mắt, hãy rửa sạch trong ít nhất 10 phút và ngay lập tức đi khám bác sĩ.

Không để các chi tiết kim loại đi vào phần chứa pin của bộ sạc (nguy cơ ngắn mạch).

PIN

Pin chưa được sử dụng trong một thời gian dài nên được sạc lại trước khi sử dụng.

Nhiệt độ vượt quá 50°C làm giảm hiệu năng của pin. Tránh tiếp xúc trong thời gian dài với nhiệt độ hoặc ánh nắng mặt trời (nguy cơ quá nhiệt).

Các điểm tiếp xúc của bộ sạc và bộ pin phải được giữ sạch sẽ.

Để có tuổi thọ tối ưu, các pin phải được sạc đầy sau mỗi lần sử dụng.

Để đảm bảo tuổi thọ pin lâu nhất có thể, hãy rút pin ra khỏi bộ sạc sau khi nó được sạc đầy.

Khi cất trữ pin lâu hơn 30 ngày:

- Bảo quản pin ở nơi khô, có nhiệt độ dưới 27°C.

- Bảo quản pin trong điều kiện sạc 30% - 50%
- Sau mỗi 6 tháng bảo quản, sạc pin như bình thường.

BẢO VỆ PIN

Trong các tình huống mômen xoắn cao, kẹt, kẹt và ngắn mạch có thể tăng cường độ dòng điện, sản phẩm sẽ rung khoảng 5 giây, đèn báo mức pin sẽ nhấp sáng, và sau đó sản phẩm bị tắt. Để đặt lại, hãy nhả cỏ ra.

Trong các tình huống khắc nghiệt, nhiệt độ bên trong của bộ pin có thể tăng lên quá cao. Nếu điều này xảy ra, đèn báo mức pin sẽ nhấp sáng cho đến khi pin nguội bớt. Sau khi đèn tắt, tiếp tục làm việc.

VẬN CHUYỂN PIN LITHIUM

Các pin lithium-ion cần tuân thủ Luật về Hàng hóa Nguy hiểm.

Việc vận chuyển các pin này phải được thực hiện theo các điều kiện và quy định của địa phương, quốc gia và quốc tế.

Pin có thể được vận chuyển bằng đường bộ mà không có yêu cầu nào khác.

Việc vận chuyển thương mại pin lithium-ion bởi các bên thứ ba cần tuân thủ quy định về Hàng hóa Nguy hiểm. Việc chuẩn bị vận chuyển và vận chuyển cần được thực hiện bởi những người được đào tạo phù hợp và quy trình này phải được giám sát bởi các chuyên gia trong ngành.

Khi vận chuyển pin:

- Đảm bảo các đầu tiếp xúc của pin được bảo vệ và cách điện để ngăn ngắn mạch.
- Đảm bảo pin được cố định để không di chuyển trong bao bì.
- Không vận chuyển các pin bị nứt hoặc rò rỉ.
- Kiểm tra với công ty chuyển tiếp để được tư vấn thêm.

VẬN HÀNH

Đề nhả dây, hãy nhẹ nhàng đập lõi quần đầu máy cắt tia xuống đất trong khi chạy với tốc độ bình thường.

LƯU Ý: Khi được sử dụng gần các bề mặt mài mòn hoặc có mặt đất dày, dây cắt sẽ mòn nhanh hơn và cần "đập" thường xuyên hơn.

MẸO CẮT

Cho phép tháo hết cỡ dây để thực hiện cắt.

Sự tiếp xúc giữa dây và các vật thể rắn gây ra mài mòn và đứt dây thêm.

Không kéo nắp lõi quần dọc theo mặt đất hoặc va đập quá mạnh. Chỉ đập lõi quần xuống nền đất. Không đập vào đá, đường lái xe, v.v.

Thực hiện nhiều lần đưa nhát cắt ở cây lớn dài.

Tránh cây cảnh, cây bụi và cây trồng rừng. Tránh tiếp xúc với vách ngăn, trụ hàng rào, v.v. Máy cắt tia có thể làm hỏng những vật đó.

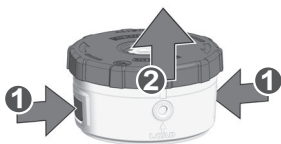
THAY THẾ DÂY CẮT

Chỉ sử dụng dây máy cắt tia MILWAUKEE (xem thông số kỹ thuật). Thay thế dây cắt bằng dây 6 m / 2,4 mm hoặc dây 7,6 m / 2 mm.

Lưu ý: Khi được sử dụng gần các bề mặt mài mòn hoặc có mặt đất dày, dây cắt sẽ mòn nhanh hơn.

Để thay thế dây cắt, hãy xem phần hình ảnh.

Trong điều kiện hoạt động bình thường, phần dây còn lại phải được ném khỏi đầu quay trong quá trình sử dụng. Nếu trên đầu còn dây hoặc để tháo dây bằng cách khác, hãy lật ngược đầu máy cắt tia, nhấn các nút nhả và kéo nắp ra khỏi đầu.



Tháo bỏ mọi phần còn lại của dây ngắn. Gắn nắp lại vào đầu máy cắt tỉa.

VẬN CHUYỂN VÀ CẮT GIỮ

Luôn tắt sản phẩm khi vận chuyển từ địa điểm này sang địa điểm khác. Không cầm sản phẩm khi ngón tay bạn đang đặt trên cò kích hoạt. Khởi động ngẫu nhiên có thể gây ra thương tích cá nhân nghiêm trọng.

Tháo bộ pin và để nguội trước khi cất giữ hoặc vận chuyển.

Cầm sản phẩm bằng tay cầm phía trước để tránh vô tình khởi động. Xử lý sản phẩm đúng cách để tránh bị thương.

Đổi với vận chuyển trong xe, bảo vệ sản phẩm tránh di chuyển hoặc rơi xuống để tránh thương tích cho người hoặc làm hỏng sản phẩm.

Làm sạch tất cả các tạp chất khỏi sản phẩm. Cất giữ sản phẩm ở nơi thoáng mát, khô ráo và thông thoáng, chỗ trẻ em không thể tiếp cận được. Để sản phẩm tránh xa các chất gây ăn mòn, chẳng hạn như hóa chất làm vườn và muối khử. Không cất giữ sản phẩm ngoài trời.

Không nhúng sản phẩm vào nước hoặc xịt bằng vòi. Không làm sạch sản phẩm bằng máy phun rửa áp lực. Nước vào sản phẩm làm tăng nguy cơ điện giật. Cất giữ sản phẩm trong nhà.

Không cất giữ sản phẩm trên hoặc gần phân bón hoặc hóa chất.

BẢO TRÌ

Các khe thông gió của sản phẩm lúc nào cũng phải sạch sẽ.

Chỉ kỹ thuật viên bảo dưỡng có trình độ mới được thực hiện bảo dưỡng và người này phải cẩn thận và có kiến thức chuyên sâu. Để bảo dưỡng, hãy trả sản phẩm, bộ pin và bộ sạc về trung tâm bảo dưỡng được ủy quyền gần nhất để sửa chữa. Khi bảo dưỡng, chỉ sử dụng các bộ phận thay thế giống hệt.

Tắt và tháo bộ pin trước khi tiến hành bất kỳ công việc bảo trì hoặc vệ sinh nào.

Bạn có thể thực hiện các điều chỉnh và sửa chữa được mô tả ở đây. Đối với các sửa chữa khác, hãy liên hệ với trung tâm bảo dưỡng được ủy quyền để họ thực hiện.

Đối với dây thay thế, chỉ sử dụng dây sợi nhỏ nylon có đường kính được mô tả trong bảng thông số kỹ thuật của sách hướng dẫn này.

Sau khi kéo dài dây cắt mới, luôn đưa sản phẩm về vị trí hoạt động bình thường trước khi khởi động.

Sau mỗi lần sử dụng, lau sạch sản phẩm bằng vải khô, mềm. Bất kỳ bộ phận nào bị hỏng cũng phải được trung tâm bảo dưỡng được ủy quyền sửa chữa hoặc thay thế thích hợp.

Kiểm tra độ chặt phù hợp của tất cả các đai ốc, bu lông và ốc vít trong khoảng thời gian thường xuyên để đảm bảo rằng sản phẩm vẫn ở trong tình trạng hoạt động an toàn.

Chỉ sử dụng các phụ kiện và phụ tùng thay thế của MILWAUKEE. Không được thay thế các thành phần theo những cách không được mô tả ở đây, vui lòng liên hệ một trong những đại lý dịch vụ MILWAUKEE của chúng tôi (xem danh sách địa chỉ bảo hành/dịch vụ của chúng tôi).

Nếu cần, có thể yêu cầu xem hình vẽ mô tả chi tiết các bộ phận. Vui lòng nêu rõ số sê-ri cũng như loại sản phẩm được in trên nhãn và yêu cầu bản vẽ tại các trung tâm dịch vụ địa phương của bạn.

BIỂU TƯỢNG



Vui lòng đọc kỹ hướng dẫn trước khi khởi động sản phẩm.



CHÚ Ý! CẢNH BÁO! NGUY HIỂM!



Tháo pin trước khi bắt đầu thao tác với sản phẩm.



Đeo găng tay!



Đeo thiết bị bảo vệ tai.



Luôn đeo kính bảo vệ khi sử dụng sản phẩm.



Đi giày an toàn!



Mặc quần dài.



Dùng cả hai tay khi vận hành sản phẩm.



Đảm bảo rằng không ai có nguy cơ bị vật liệu bị phồng ra ngoài hoặc rơi xuống văng vào.



Thận trọng – bề mặt nóng!



Giữ khoảng cách.



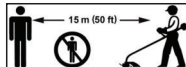
Không bao giờ cho sản phẩm ra ngoài trời mưa.



CẢNH BÁO - Ngắt kết nối pin trước khi bảo trì.



Không sử dụng lưới cửa kim loại.



Yêu cầu những người không liên quan cách xa ít nhất 15 m trong quá trình sử dụng.



Cần có hai pin M18.



Các bộ phận hoặc phụ kiện được bán riêng.

n_0

Tốc độ không tải

V

Điện áp



Dòng điện một chiều



Không vứt bỏ pin thải, thiết bị điện và điện tử thải cùng với rác thải đô thị chưa được phân loại. Pin thải và thiết bị điện và điện tử thải phải được thu gom riêng. Phải loại bỏ pin thải, bộ tích điện thải và nguồn sáng khỏi thiết bị. Xác nhận với chính quyền địa phương hoặc nhà bán lẻ để được tham vấn về việc tái chế và điểm thu gom. Theo quy định của địa phương, các nhà bán lẻ có thể có nghĩa vụ nhận lại pin thải và thiết bị điện và điện tử thải miễn phí. Sự đóng góp của bạn trong việc tái sử dụng và tái chế pin thải và thiết bị điện và điện tử thải sẽ giúp giảm nhu cầu về nguyên liệu thô. Đặc biệt, pin thải có chứa lithium và Thiết bị điện và điện tử thải chứa các vật liệu có giá trị, có thể tái chế, có thể tác động xấu đến môi trường và sức khỏe con người, nếu không được xử lý theo cách phù hợp với môi trường. Xóa dữ liệu cá nhân khỏi thiết bị thải, nếu có.

技術データ	M18 F2GTR
タイプ	コードレスグラストリマー
電圧	36 V (2 x 18 V) ---
無負荷、低速	4900/分
無負荷、高速	6200/分
切断線最大径	7.6 m x 2 mm / 6.1 m x 2.4 mm / 4.5 m x 2.7 mm
最高切断性能	432 mm
本体重量 (EPTA 01/2014準拠)	7.5 kg
重量 (製品のみ)	5.4 kg
バッテリー重量 (M18B2 - M18HB12)	0.43 kg - 1.49 kg
推奨周囲動作温度	-18 - +50 °C
推奨バッテリータイプ	M18B..., M18 HB...
推奨充電器	M12-18..., M18 DFC, M18 PC6
騒音情報	
騒音放射値 (EN 62841 に従い測定)	
A特性・音圧レベル	79.0 dB (A)
不明 K	3 dB (A)
A特性音響パワーレベル	89.7 dB (A)
不明 K	3 dB (A)
必ずイヤープロテクターを使用してください。	
振動情報	
総振動値 (3軸のベクトル和) (EN 62841 に従い測定)	
振動放出値 a_h (フロントハンドル)	4.56 m/s ²
不明 K	1.5 m/s ²
振動放出値 a_h (リアハンドル)	2.62 m/s ²
不明 K	1.5 m/s ²

警告!
本情報シートに記載されている振動/騒音放射レベルは、の所与の標準検査に従って測定されたものであり、ある工具と別の工具を比較するために使用することができます。暴露の予備評価にも使用できます。

公表された振動・騒音値は、工具の主な用途を表しています。ただし、工具が異なる用途に使用され、付属品が異なっている、メンテナンスが不十分であるなどの場合は、振動/騒音放射が異なる場合があります。これらの条件により、総作業期間にわたる暴露レベルが大幅に増加する可能性があります。暴露する振動・騒音値の概算を出す場合、工具のスイッチがオフになっている時間、または工具がアイドリリング中である時間も考慮する必要があります。これらの条件により、総作業期間にわたる暴露レベルが大幅に減少する可能性があります。

振動/騒音の影響からオペレーターを保護するために、次のような追加安全対策を確認してください：工具と付属品のメンテナンスを行う、手を温かく保つ、作業パターンを整理する。

警告! 本製品で提供されているすべての安全警告、指示、図、仕様をお読みください。下記のすべての指示に従わない場合、感電や火災が発生したり、重傷を負う可能性があります。

今後の参考のために、すべての警告と指示を保存します。

グラストリマーに関する安全警告

悪天候下、特に落雷の危険がある場合は、本製品は使用しないでください。こうすることで、落雷が直撃する危険性を減らします。

本製品を使用する場所に動物がいらないか、しっかりと確認してください。本製品の動作中に動物がけがを負うおそれがあります。

本製品を使用する場所をしっかりと確認し、すべての石、枝、配線、骨、その他の異物を取り除いてください。物が飛散し、けがにつながるおそれがあります。

本製品を使用する前に、必ずカッターまたはブレードとカッターまたはブレードアセンブリが破損していないことを目視で確認してください。破損した部品によりけがの危険性が高まります。

付属品の交換方法に従ってください。ブレード固定ナットやボルトを無理に締め付けると、ブレードを傷つけたり、外れやすくなったりする場合があります。

目、耳、頭、手の保護具を着用してください。適切な保護具を着用すると、飛び散る破片や切断線やブレードの偶発的接触によるけがを減らすことができます。

本製品を操作する際は必ず滑り止め付安全靴を着用してください。本製品は、裸足や先の開いたサンダルを着用して操作しないでください。こうすることで、動作しているカッターやラインが足に接触しけがをする危険性を減らすことができます。

本製品の操作時は必ず長ズボンを着用してください。肌が露出していると、飛散物だけがする可能性が高まります。

本製品を操作する際は周囲の人を近づけないでください。飛散した破片が重大なけがにつながるおそれがあります。

本製品を操作する際は必ず両手を使用してください。制御を失わないよう、本製品は両手で保持してください。

隠し配線に切断ラインやブレードが接触する可能性があるため、絶縁された把持部分のみで本製品を持ちます。「通電」中の電線に接触している切断ラインやブレードが本製品の露出金属部を「通電」させる場合があり、作業者を感電させる可能性があります。

常に適切な足場を確保し、地面に立っている場合のみ本製品を操作してください。滑りやすい表面や不安定な表面では、バランスを崩したり本製品の制御を失う原因となる可能性があります。

本製品を傾いた斜面で使用しないでください。こうすることで、制御を失ったり滑ったり転んだりしてけがをする危険性を減らすことができます。

斜面で作業を行う際は、必ず足場を確認し、必ず斜面に対して操作し、絶対に上下に動かさず、方向を変える際は細心の注意を払ってください。こうすることで、制御を失ったり滑ったり転んだりしてけがをする危険性を減らすことができます。

本製品が動作中ときは、身体の各部位をカッター、ライン、ブレードに近づけないでください。本製品を始動させる前に、カッター、ライン、ブレードに何も触れていないことを確認してください。本製品の操作中に一瞬でもその場を離れた場合、自身や他者がけがをするおそれがあります。

本製品は腰より上の高さで使用しないでください。こうすることで、カッターやブレードの意図しない接触を防止し、予期しない状況でも本製品を適切に制御することができます。

張力が加わっている枝や苗木を切るときは、跳ね返りに注意してください。木質繊維の張力が解放されると、バネの力で枝や苗木が作業者に当たったり、チェーンソーが制御不能になる可能性があります。

枝や苗木を切る場合は、細心の注意を払ってください。細長い材料がブレードに引っかかったり、作業者にぶつかったり、作業者のバランスを崩す可能性があります。

動作している間は、本製品の制御を維持し、カッター、ライン、ブレードやその他の危険な可動部品に触れないでください。これにより、可動部品によるけがの危険性を減らすことができます。

詰まった材料を取り除く際や本製品を点検する際は、電源スイッチがオフになっており、バッテリーパックが取り外されていることを確認してください。詰まった材料を取り除く際や本製品の点検中に本製品が意図せず始動すると、大けがを引き起こすおそれがあります。

本製品を持ち運ぶ際は、本製品の電源をオフにし、体から離してください。本装置を正しく取り扱うことで、動作しているカッターや線、ブレードに誤って触れる危険性を減らすことができます。

メーカーが指定する交換用のカッター、ライン、切断ヘッド、ブレードのみを使用してください。不適切な交換用部品を使用した場合、故障やけがの危険性が高まります。

詳細な安全警告

子ども、運動機能・感覚機能・知力が低下している人、経験と知識が不足している人、またはこれらの指示に慣れていない人には、絶対に製品の使用を許可しないでください。現地の規制でオペレーター年齢が制限される場合があります。

フィラメントラインの長さを制限する鋭利な機器には手を近づけないでください。

通気部の破片はつねに取り除いてください。

複数のショルダーストラップを同時に使用しないでください。ショルダーストラップを使用する際は、他に着用している物がストラップの着脱を妨げないようにしてください。

本製品のアタッチメントには延長コードを使用しないでください。長さを延長することで、本製品を制御しづらくなり、けがを引き起こすおそれがあります。

たばこ、マッチ、高温の灰など、燃えている、または煙の出ているもの近くで本製品を使用しないでください。

蒸気や粉じんによる健康への危険性を減らすため、本製品を有毒な材料や、発がん性材料、またはその他の危険な材料（アスベスト、ヒ素、バリウム、ベリリウム、鉛、殺虫剤、その他健康を脅かす材料）の近くで使用しないでください。

装飾用の植物やその他の障害物の周囲で本製品を使用する際は、注意してください。付属品により、多くの材料を切断・破損します。

フロントハンドルを正しく取り付けずに本製品を操作しないでください。使用中、フロントハンドルを正しく取り付けする必要があります。

固い物に接触した場合の予期せぬ動きに備えてください。制御を失うと、大けがを引き起こすおそれがあります。

飛散した物が、壁や木、岩などの固い表面に当たって跳ね返り、けがを負うおそれがあります。可能な場合は、切断は手作業で囲われた場所で行ってください。

各使用前に作業エリアを清掃してください。切断中に邪魔になったりからまったりする可能性のあるコード、照明、配線、紐などすべての物を片付けてください。

周囲の人を作業エリアから安全な距離に保ってください。

本製品を暗い場所で使用しないでください。危険を把握できるよう、作業エリアは見やすい状態にする必要があります。

使用前に本製品を点検してください。緩んだファスナーなどがいないか確認してください。すべてのガードとハンドルが正しくしっかりと取り付けられていることを確認してください。破損した部品は使用前に交換してください。バッテリーパックに漏れがないか確認してください。

本製品を絶対に改造しないでください。

本製品の使用中は、目と耳をしっかりと覆う保護具を着用してください。物が落下する危険のある場所で作業する場合は、頭部に適切な保護具を着用してください。

可動部品に巻き込まれるのを防止するため、長い髪の毛は肩より上の位置に結んでください。

疲労時、体調不良時、またはアルコール、薬物、薬の影響を受けている場合は、本製品を使用しないでください。

しっかりした足場とバランスを維持してください。無理な姿勢で作業しないでください。手を無理に伸ばすと、バランスを崩したり高温面に触れたりするおそれがあります。

⚠ 警告！本製品が落下した、強い衝撃が加わった、異常に振動するようになった場合は、本製品の使用をただちに中止し、破損部分を点検する、または振動の原因を調べてください。破損した製品は、認定を受けたサービスセンターで適切に修理または交換する必要があります。

バッテリーに関する詳細な安全警告

⚠ 警告！漏電による火災、人的損傷、製品破損のリスクを軽減するために、製品、バッテリーパック、充電器を液体に浸したり、液体を流入させたりすることは絶対にしないでください。海水、特定の工業用化学物質、漂白剤または漂白剤を含む製品などの腐食または伝導性誘導体は、漏電の原因となることがあります。

特定の使用条件

本製品は、屋外で作業者が立った状態での使用のみを目的としています。

本製品は、芝、雑草、その他同様の植物の切断用に設計されています。

刈り込みを行う際、切断面は地面と平行になるようにしてください。

切断面が地面の上または地面付近でない場合は、本製品を生垣、茂み、その他の植物の切断に使用しないでください。

本製品を他の用途では使用しないでください。

残余リスク

製品が規定どおりに使用された場合でも、特定の残存する危険因子を完全に排除することは不可能です。使用中に以下の危険が発生することがあり、作業者は以下を回避するために特に注意する必要があります。

- 振動による怪我
 - 所定のハンドルを持って本製品を保持し、作業時間や暴露を制限し

- ます。
- ・騒音により生じる聴覚の異常
 - 暴露を制限し、適切な聴覚保護具を着用してください。
- ・飛散した破片によるけが
 - 適切な個人用保護具、高強度の長ズボン、グローブ、安全靴、保護メガネをつねに着用してください。
- ・有毒な粉塵の吸い込みによる健康上の危険性
 - 必要な場合はマスクを着用してください。

バッテリーの安全上の注意事項

使用済みのバッテリーパックは家庭ゴミと一緒に廃棄したり、燃やさないでください。ミルウォーキー (MILWAUKEE) 販売店では、環境保護のために古いバッテリーを回収いたします。

金属片などと一緒にバッテリーパックを保管しないでください。ショートの危険性があります。

M18システムバッテリーの充電には、M18システムの充電器しか使用できません。別のシステムのバッテリーと混ぜて使用しないでください。

バッテリーと充電器は絶対に分解しないでください。バッテリーと充電器は湿度の低い屋内で保管してください。

極端な負荷や温度によってバッテリーが損傷し、液漏れが発生する場合があります。漏れ出した液と接触した場合は、直ちに石鹸と水で洗い流してください。目に入った場合は、少なくとも10分間流水ですすいで、直ちに医師の診察を受けてください。

充電器の金属端子部に金属片などを接触させないでください。ショートの危険があります。

バッテリー

しばらく使用していなかったバッテリーパックは使用前に再度充電を行ってください。

50°Cを超える温度下ではバッテリーパックの性能が低下します。直射日光や高熱に長時間さらさないようにしてください(オーバーヒートの危険性があります)。

充電器とバッテリーパックの接触部はつねに清潔な状態にしてください。最適な寿命を保つため、使用後はバッテリーパックを完全に充電してから保管してください。

バッテリー寿命を最大に保つためにバッテリーをフル充電してから充電器から取り外してください。

バッテリーパックを30日以上保管する場合:

- ・温度27°C未満で湿気がない場所に保管する。
- ・30~50%の充電状態で保管する。
- ・6ヶ月に1回、通常通りに充電する。

バッテリーパックの保護

極めて高いトルク、ビンディング、停動、および高電流を引き起こす短絡状態では、製品は約5秒間振動して燃料計が点滅してからオフになります。リセットするには、トリガーを解除してください。

過酷な環境下では、バッテリーパック内の温度が過剰に上昇する場合があります。この現象が起きると、バッテリーパックが冷たくなるまで燃料計が点滅します。ライトが消えた後も作動し続けてください。

リチウムバッテリーの輸送

リチウムイオンバッテリーは、危険物規制の要件の対象となります。

このバッテリーの輸送は、地域、国、および国際的な規定および規制に従って行わなければなりません。

バッテリーの地上輸送には、それ以上の要件はありません。

第三者によるリチウムイオンバッテリーの商業輸送には、危険物規制が適用されます。輸送の準備と輸送は、適切な訓練を受けた人員のみが実施し、その作業には対応する専門家の同行が必要です。

バッテリーを輸送する場合:

- ・バッテリーの接触端子は、漏電を防ぐために保護と絶縁の処理がされ

ていることを確認してください。

- ・バッテリーパックがパッケージ内で動かないように固定されていることを確認してください。
- ・ひびが入ったり液漏れが発生しているバッテリーは輸送しないでください。
- ・詳細については、運送会社に確認してください。

操作

ラインを出すには、通常速度での作動中にトリマーヘッドスプールを地面に軽くぶつけます。

注記: 摩擦面や濃い茂みの近くで使用すると、切断ラインの摩耗が早くなり、さらに頻繁にぶつける必要があります。

切削工用具用チップ

ラインの端で切断してください。

ラインと硬い物が接触すると、ラインの摩耗または破損の原因となります。

スプールカバーを地面に引きずったり、強くぶつけたりしないでください。地面にのみスプールをぶつけます。岩や私道などにぶつけないでください。

長く伸びた部分は複数箇所に分けて切断してください。

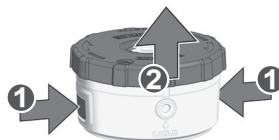
装飾用の木、低木、植栽は避けてください。壁板やフェンス支柱などに接触しないようにしてください。トリマーにより破損するおそれがあります。

切断線の交換

MILWAUKEEトリマーラインのみを使用してください(技術データを参照)。切断線は、6 mの4mm線または7.6mの2 mm線のいずれかに交換してください。注意: 摩擦面や濃い茂みの近くで使用すると、切断線の摩耗が早くなります。

切断ラインを交換する際は、図を参照してください。

通常の動作時に、残りのストリングが使用中に回転ヘッドから外れます。ストリングがヘッド内に残っている場合、またはストリングのある長さを取り外して別の種類に交換する場合は、トリマーヘッドを回し、リリースタブを押し、ヘッドからカバーを引っ張ります。



残った短い線は破棄してください。カバーをトリマーヘッドに戻します。

持ち運びおよび保管

本製品を別の場所に移動させる際は、必ず本製品の電源をオフにしてください。トリガーに指をかけたまま本製品を持ち運ばないでください。誤って始動し、大けがにつながるおそれがあります。

保管および持ち運び前は、バッテリーパックを取り外して冷却してください。

誤って始動しないよう、フロントハンドルを持って本製品を持ち運んでください。本製品を適切に取り扱うことで、けがを防ぐことができます。

車両で持ち運ぶ場合は、製品が動いたり落下しないように固定して、人身傷害や製品の損傷を防止します。

本製品からすべての異物を取り除いてください。製品をお子様の手の届かない涼しく湿気の無い換気の良い場所に保管します。本製品を園芸用化学薬品や凍結防止塩などの腐食剤に近づけないでください。製品を屋外に保管しないでください。

本製品は水に濡らしたり、ホースで水をかけたりしないでください。本製品を高圧洗浄機で清掃しないでください。本製品に水が入ると、感電の危険性が高くなります。本製品は屋内で保管してください。

本製品を肥料や薬品の上や近くに保管しないでください。

メンテナンス

充電の際、充電器の排気口を塞がないでください。

修理には細心の注意と知識が必要であり、資格のあるサービス技術者のみが実施する必要があります。修理の場合は、本製品をお近くの認定サービスセンターまで返送してください。修理の際は、同じ交換部品のみを使用してください。

保守や清掃を行う前に、本製品の電源をオフにし、バッテリーパックを取り外してください。

こちらに記載されている調整または修理を行ってください。他の修理に関しては、認定サービスセンターまでお問い合わせください。

交換用の線は、本書の仕様表に記載されている直径のナイロンフィラメント線のみを使用してください。

新しい切断線を取り付けたら、始動させる前に必ず本製品を通常の操作位置に戻してください。

各使用後、本製品を柔らかい乾いた布で拭いてください。破損した製品は、認定を受けたサービスセンターで適切に修理または交換する必要があります。

すべてのナット、ボルト、ねじを頻繁に点検して、本製品が安全な動作状態であることを確認してください。

ミルウォーキー (MILWAUKEE) の純正アクセサリとサービスパーツをご使用ください。記載されていない部品を交換する必要がある場合は、MILWAUKEE サービスセンターにお問い合わせください (保証リストまたはサービス所在地リストを参照してください)。

必要に応じて、製品の分解立体図をご注文いただけます。製品タイプとシリアル番号をラベルにご記入のうえ、お近くのサービスセンターで分解立体図をご注文ください。

記号



本製品を始動させる前に、指示をよくお読みください。



注意! 警告! 危険!



作業前の調整時や保守・点検時は、本体からバッテリーを取り外してください。



加工作業時は、保護手袋を着用してください!



耳栓を使用してください!



製品を使用する際は、必ずゴーグルを着用してください。



安全靴を着用します!



長ズボンを着用してください。



本製品は両手で操作してください。



材料が人に向かって飛散したり落下したりする危険がないことを確認してください。



注意 - 表面が高温になります!



距離を取る。



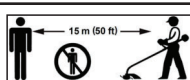
絶対に本製品を雨にさらさないでください。



警告 - 保守の前にバッテリーを取り外してください。



金属ブレードは使用しないでください。



使用中におよそ15m以内に人がいないことを確認してください。



M18バッテリー2個が必要です。



部品や付属品は別売りです。

n_0

回転数

V

電圧



直流



自治体の廃棄物に分類されない廃棄電池、電気機器、電子機器は廃棄しないでください。廃棄電池、電気機器、電子機器は、分別して収集する必要があります。廃棄電池、蓄電部、光源は、機器から取り外す必要があります。リサイクルに関しましては、お住いの自治体または販売店までご相談ください。自治体の規定によっては、小売業者は廃棄電池や電気機器、電子機器を無償で持ち帰る義務を有する場合があります。廃棄電池、電気機器、電子機器を再利用・リサイクルすることで、材料の必要性を減らすことができます。廃棄電池 (特にリチウムを含む電池) や電気機器、電子機器には、貴重でリサイクル可能な材料が含まれており、環境に配慮した方法で廃棄しない場合、環境や人体の健康に害を及ぼすおそれがあります。廃棄機器に個人情報が入っている場合は、削除してください。

