

M18 FMTIW12

SERVICE PARTS DIAGRAM

Bulletin Date:
Jul-17

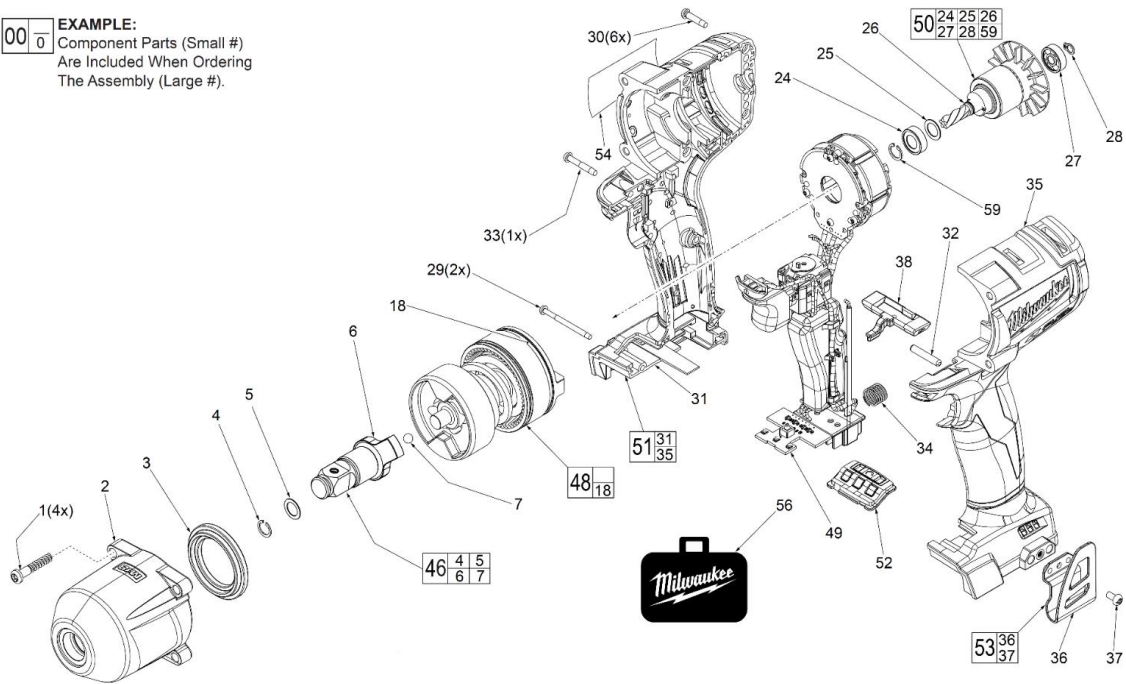
TTI Model Number: 018 198 025, 024, 023, 022

Starting Serial Number:

M18 FUEL™ 1/2" MID TORQUE IMPACT WRENCH

VERSION A - F2017

EXAMPLE:
Component Parts (Small #)
Are Included When Ordering
The Assembly (Large #).



	<h1>M18 FMTIW12</h1> <p>SERVICE PARTS LIST</p>	Bulletin Date: <h2>Jul-17</h2>
	<p>TTI Model Number: 018 198 025, 024, 023, 022</p> <p>M18 FUEL™ 1/2" MID TORQUE IMPACT WRENCH</p>	Starting Serial Number: <p>VERSION A - F2017</p>

ITEM	PART NUMBER	PART DISCRIPTION	QTY (PCS)
1	662490001	SCREW	4
2	312033001	GEAR CASE	1
3	531796001	PLASTIC WASHER	1
4	691983001	FRICTION RING	1
5	570698001	O-RING	1
6	621352167	ANVIL	1
7	680595003	STEEL BALL	1
18	570698004	O-RING	1
24	681379001	BALL BEARING	1
25	682151001	WASHER	1
26	-	ROTOR	1
27	681286001	BALL BEARING	1
28	634810002	RETAINING RING	1
29	662492001	SCREW	2
30	662491001	SCREW	6
31	-	HOUSING COVER	1
32	671436002	PIN	1
33	662489001	SCREW	1
34	691093001	SPRING	1
35	-	HOUSING SUPPORT	1
36	-	BELT CLIP	1
37	661082002	SCREW	1
38	531795001	F/R BUTTON	1
46	204269003	ANVIL ASSEMBLY	1
48	208214001	IMPACT ASSEMBLY/ UL&ASIA	1
49	208215001	ELECTRONICS ASSEMBLY/ UL&ASIA	1
50	208217001	ROTOR ASSEMBLY/ UL&ASIA	1
51	204276001	HOUSING ASSEMBLY	1
52	204277001	SPEED SELECTOR ASSEMBLY/ UL&ASIA	1
53	203679001	BELT CLIP ASSEMBLY	1
54	941048131	NAMEPLATE ASIA VERSION	1
56	307640054	DYNACASE ASSEMBLY	1
59	680363004	RETAINING RING	1

M18 FMTIW12

SERVICE INSTRUCTION

TTI Model Number: 018 198 025, 024, 023, 022

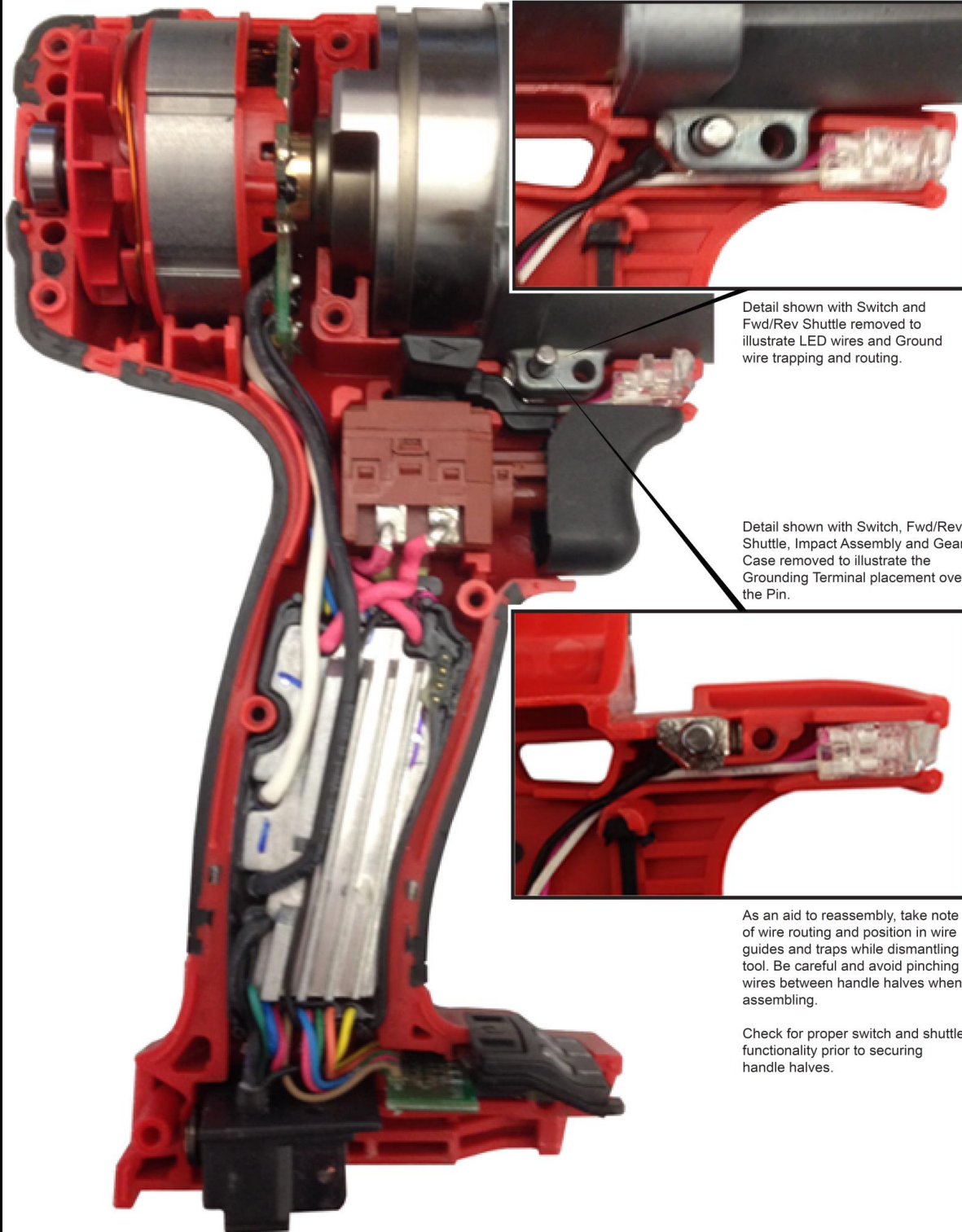
M18 FUEL™ 1/2" MID TORQUE IMPACT WRENCH

Bulletin Date:

Jul-17

Starting Serial Number:

VERSION A - F2017



Detail shown with Switch and Fwd/Rev Shuttle removed to illustrate LED wires and Ground wire trapping and routing.

Detail shown with Switch, Fwd/Rev Shuttle, Impact Assembly and Gear Case removed to illustrate the Grounding Terminal placement over the Pin.

As an aid to reassembly, take note of wire routing and position in wire guides and traps while dismantling tool. Be careful and avoid pinching wires between handle halves when assembling.

Check for proper switch and shuttle functionality prior to securing handle halves.