



Nothing but **HEAVY DUTY.**[™]



M18 CAG100X

M18 CAG100XPDB

User Manual

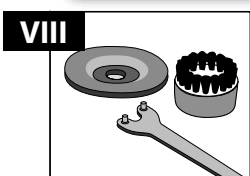
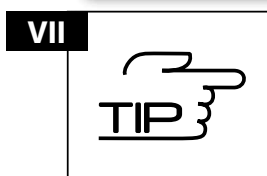
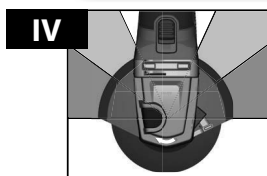
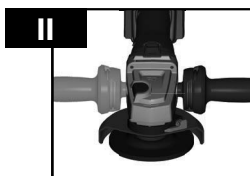
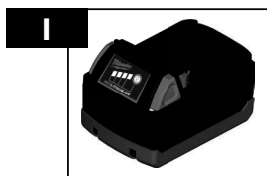
操作指南

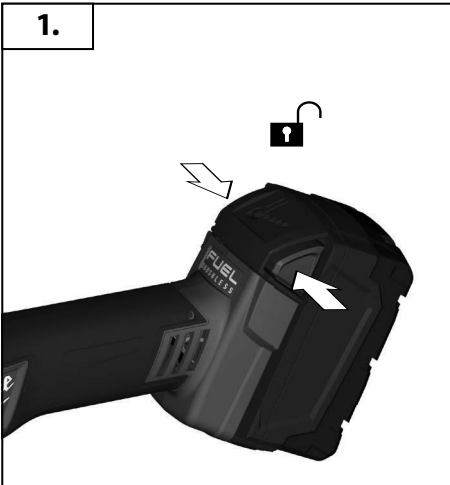
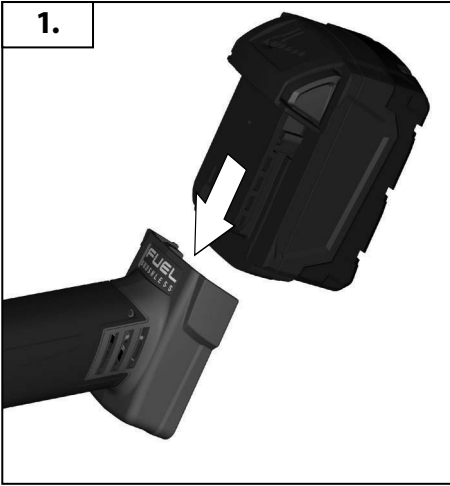
操作指南

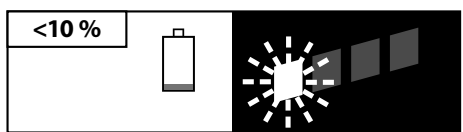
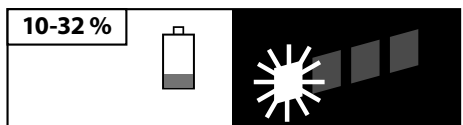
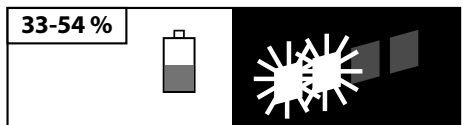
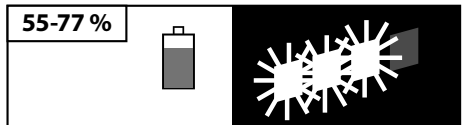
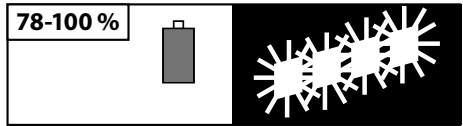
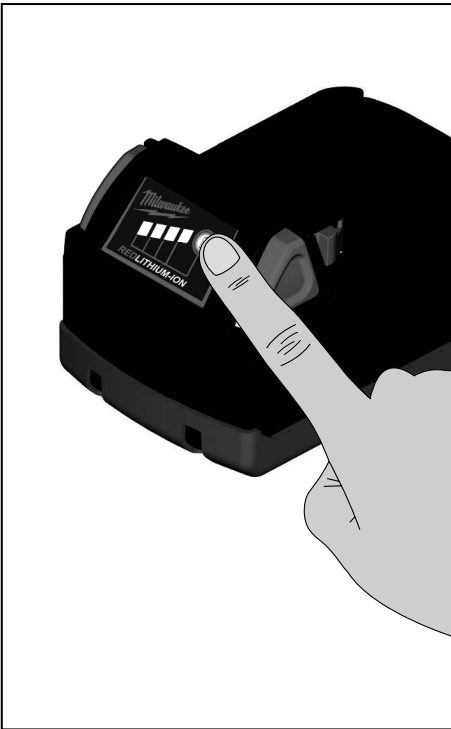
사용시 주의사항

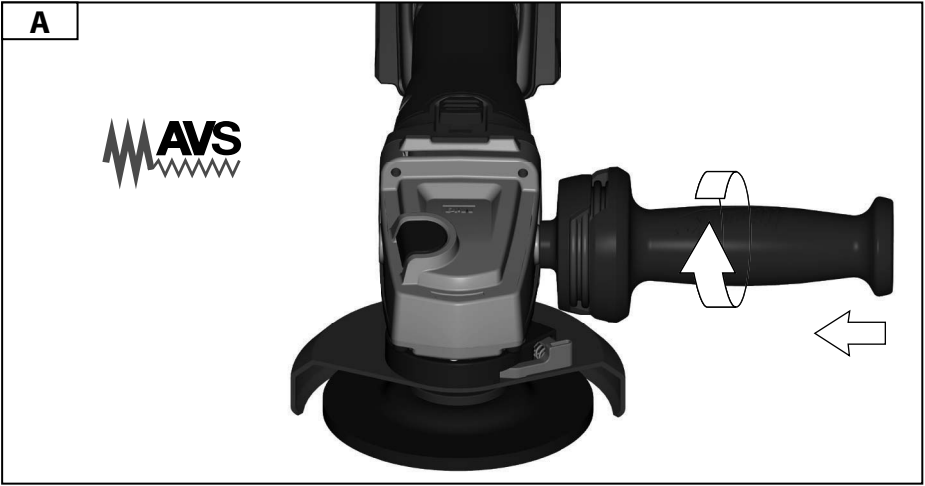
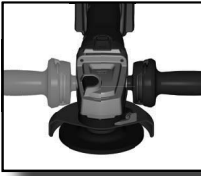
คู่มือการใช้

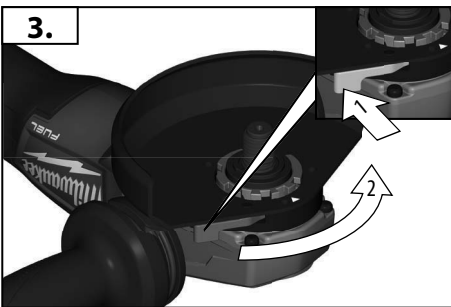
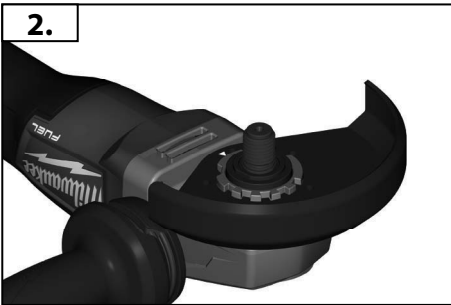
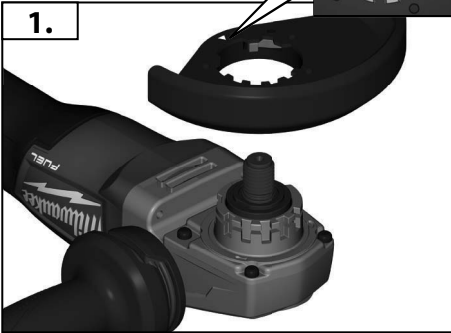
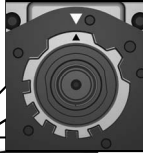
Buku Petunjuk Pengguna

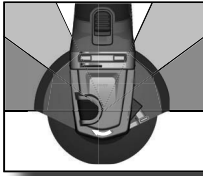




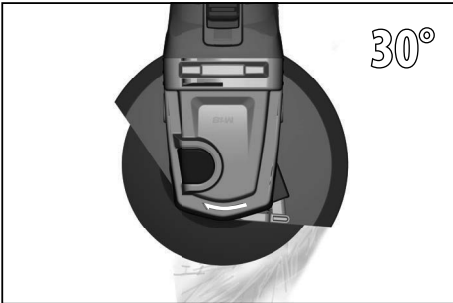
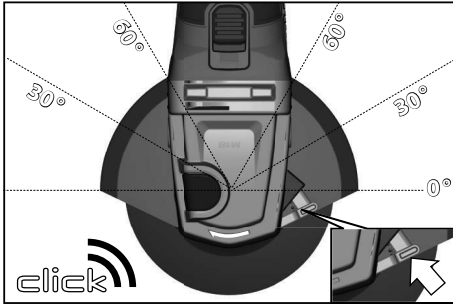


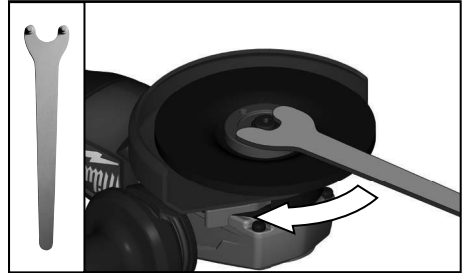
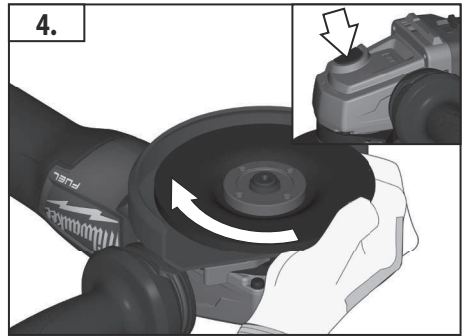
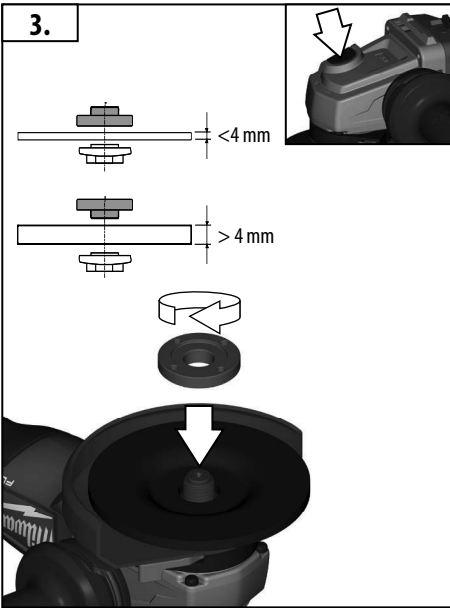
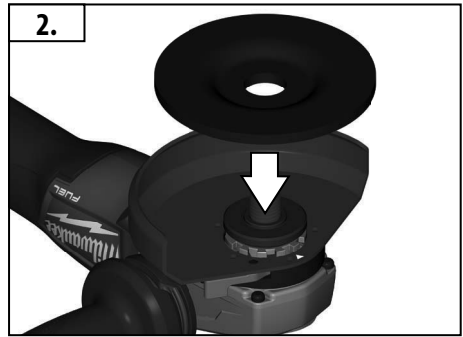
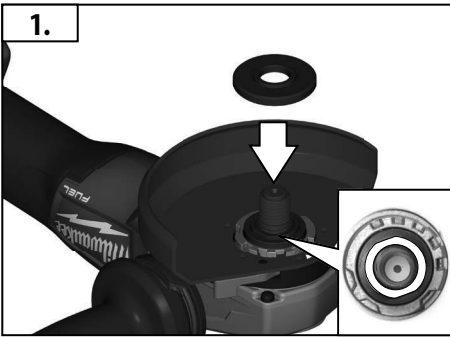






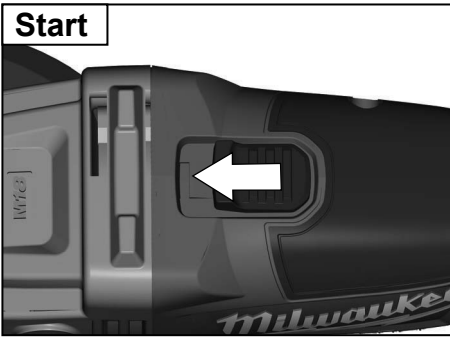
IV







M18 CAG100X



START
STOP
VI





M18 CAG100XPDB



START
STOP
VI





Startup Protection

A zero-voltage switch prevents the machine from restarting after a power cut (Battery change). When resuming work, switch the machine off and then switch it back on again.

再啟動保護

零電壓開關可避免機器在斷電後（更換電池）重新啟動。欲恢復作業，先關閉機器，再重新啟動。

再启动保护

停电（电池更换）后零压开关将防止机器重新启动。为继续工作，将机器断开并再接通。

시작 보호

제로 전압 스위치는 정전(배터리 교환) 후 기계가 다시 시작되는 것을 방지합니다. 작업을 다시 시작할 때에는 기계 스위치를 껐다가 다시 켜니다.

ป้องกันในระหว่างการเริ่มต้น

สวิตช์แรงดันไฟฟ้าเป็นศูนย์ช่วยป้องกันเครื่องจากการเริ่มทำงานใหม่หลังจากที่ตัดไฟ (เปลี่ยนแบตเตอรี่)

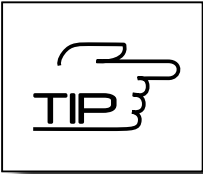
ในการให้เครื่องกลับมาทำงานอีกครั้ง ให้ปิดสวิตช์เครื่องแล้วเปิดอีกครั้ง

Perlindungan selama mulai

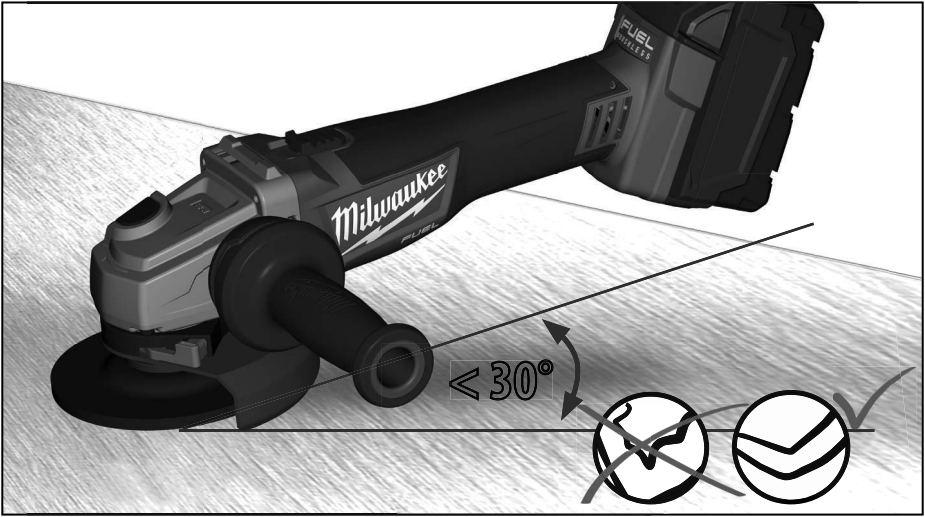
Sakelar nol-tegangan mencegah mesin start kembali setelah pemutusan arus (penggantian baterai) Untuk melanjutkan pekerjaan, matikan mesin lalu hidupkan kembali.

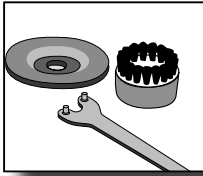
START
STOP

VI

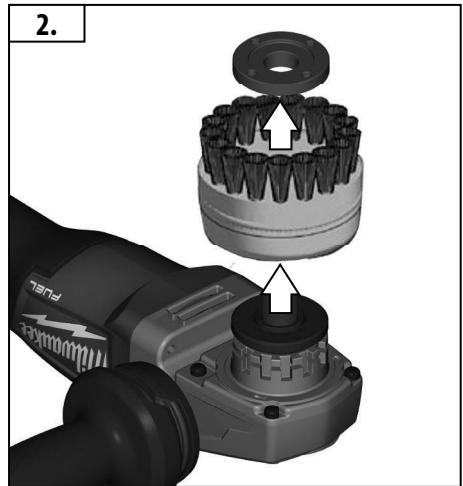
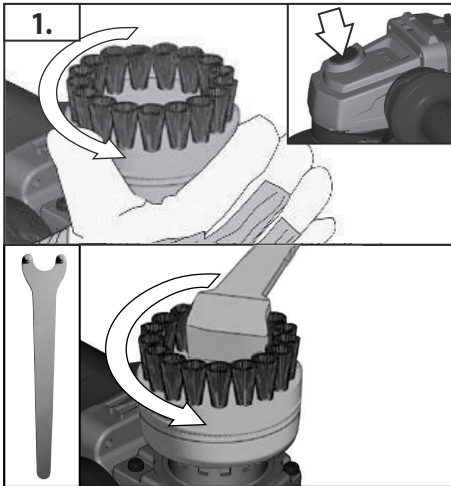
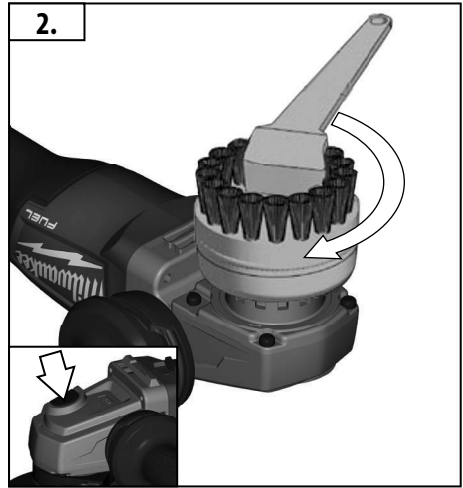
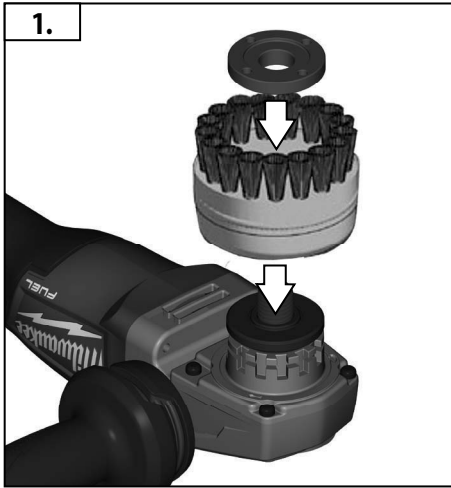


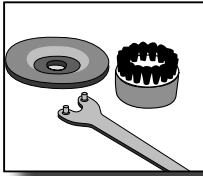
TIP
VII



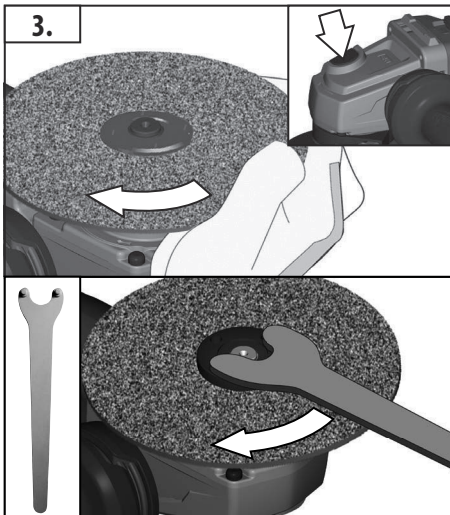
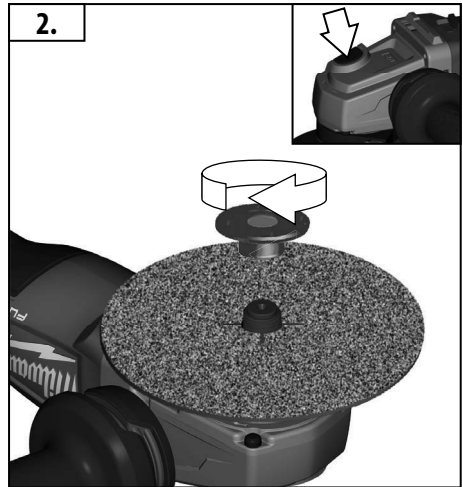
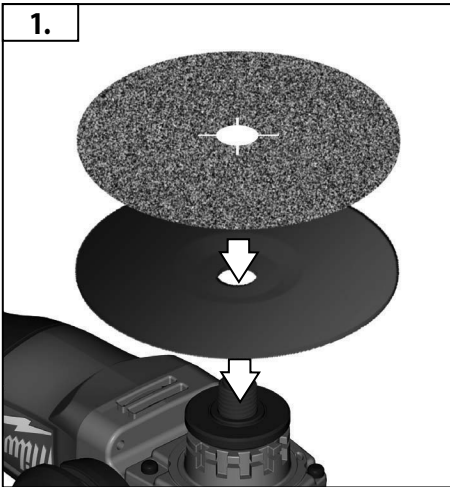


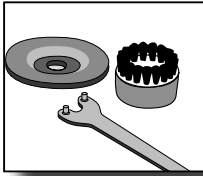
Accessory
配件
配件
액세서리
อุปกรณ์เสริม
Aksesori



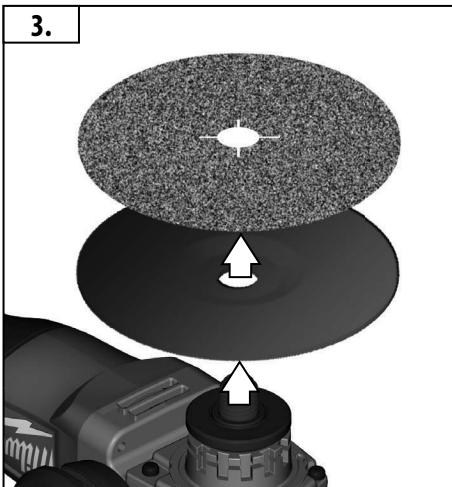
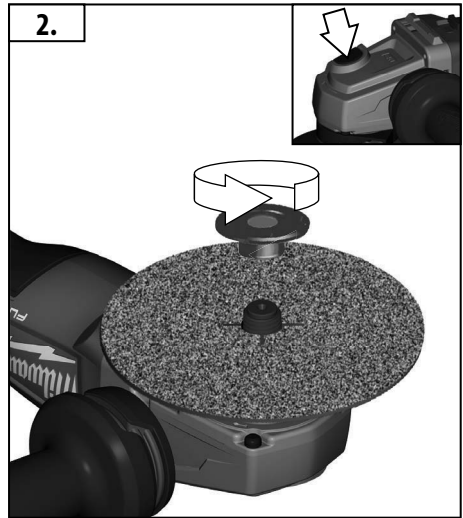
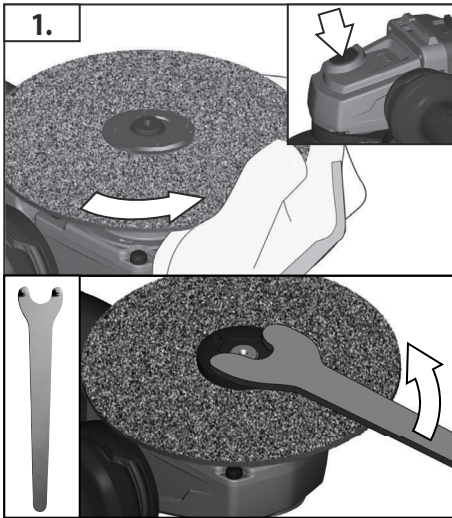


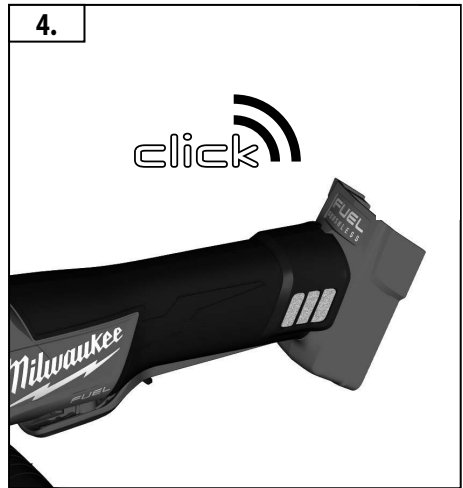
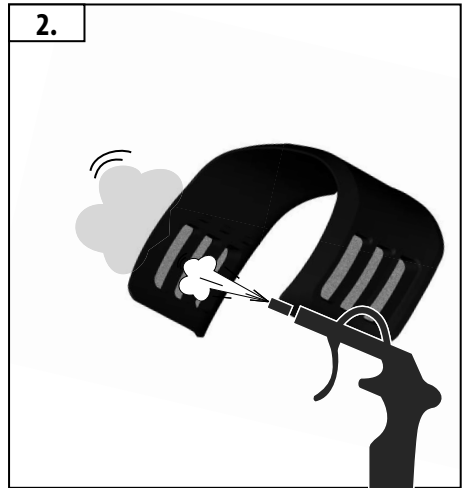
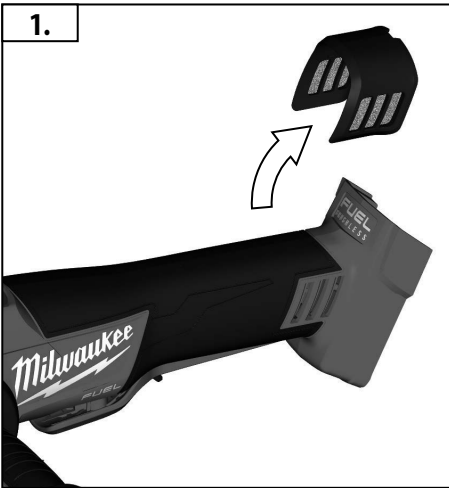
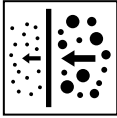
Accessory
配件
配件
액세서리
อุปกรณ์เสริม
Aksesori

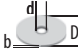






Accessory
配件
配件
액세서리
อุปกรณ์เสริม
Aksesori





TECHNICAL DATA	M18 CAG100X	M18 CAG100XPDB
Battery voltage	18 V	18 V
Rated speed	8500 min ⁻¹	8500 min ⁻¹
D = Grinding disk diameter max.	100 mm	100 mm
d = Grinding disk hole diameter	16.0 mm	16.0 mm
 b = Cutting disk thickness min. / max.	1 / 2.5 mm	1 / 2.5 mm
 b = Grinding disk thickness max.	6 mm	6 mm
 D = Wiring brush diameter max.	75 mm	75 mm
Electronic braking function	No	Yes
Thread of work spindle	M10	M10
Weight without battery	1.9 kg	1.9 kg
Weight according to EPTA - Procedure 01/2003 (Li-ion 5.0 Ah)	2.6 kg	2.6 kg

Noise/Vibration information

Measured values determined according to EN 60745. Typically, the A-weighted noise levels of the tool are:

Sound pressure level (Uncertainty K=3dB(A))	83.7 dB(A)	78.9 dB(A)
Sound power level (Uncertainty K=3dB(A))	94.7 dB(A)	89.9 dB(A)

Wear ear protectors!

WARNING

The vibration emission level given in this information sheet has been measured in accordance with a standardised test given in EN 60745 and may be used to compare one tool with another. It may be used for a preliminary assessment of exposure. The declared vibration emission level represents the main applications of the product. However if the product is used for different applications, with different accessories or poorly maintained, the vibration emission may differ. This may significantly increase the exposure level over the total working period.

An estimation of the level of exposure to vibration should also take into account the times when the product is switched off or when it is running but not actually doing the job. This may significantly reduce the exposure level over the total working period.

Identify additional safety measures, such as maintaining the product and the accessories, keeping the hands warm, and organising work patterns, to protect the operator from the effects of vibration.

WARNING!

Read all safety warnings and all instructions, including those given in the accompanying brochure. Failure to follow the warnings and instructions may result in electric shock, fire and/or serious injury.

Save all warnings and instructions for future reference.

ANGLE GRINDER SAFETY INSTRUCTIONS

Safety Warnings Common for Grinding, Sanding, Wire Brushing or Abrasive Cutting-Off Operations:

- a) **This power tool is intended to function as a grinder, sander, wire brush or cut-off tool. Read all safety warnings, instructions, illustrations and specifications provided with this power tool.** Failure to follow all instructions listed below may result in electric shock, fire and/or serious injury.
- b) **Operations such as polishing are not recommended to be performed with this power tool.** Operations for which the power tool was not designed may create a hazard and cause personal injury.
- c) **Do not use accessories which are not specifically designed and recommended by the tool manufacturer.** Just because the accessory can be attached to your power tool, it does not assure safe operation.
- d) **The rated speed of the accessory must be at least equal to the maximum speed marked on the power tool.** Accessories running faster than their rated speed can break and fly apart.
- e) **The outside diameter and the thickness of your accessory must be within the capacity rating of your power tool.** Incorrectly sized accessories cannot be adequately guarded or controlled.
- f) **The arbour size of wheels, flanges, backing pads or any other accessory must properly fit the spindle of the power tool.** Accessories with arbour holes that do not match the mounting hardware of the power tool will run out of balance, vibrate excessively and may cause loss of control.
- g) **Do not use a damaged accessory. Before each use inspect the accessory. This includes checking abrasive wheels for chips and cracks, backing pads for cracks, tears or excess wire, and wire brushes for loose or cracked wires. If power tool or accessory is dropped, inspect for damage or install an undamaged accessory. After inspecting and installing an accessory, position yourself and bystanders away from the plane of the rotating accessory and run the power tool at maximum no-load speed for one minute.** Damaged accessories will normally break apart during this test time.
- h) **Wear personal protective equipment. Depending on the application, use face shield, safety goggles or safety glasses. As appropriate, wear dust mask, hearing protectors, gloves and shop apron capable of stopping small abrasive or workpiece fragments.** The eye protection must be capable of stopping flying debris generated by various operations. The dust mask or respirator must be capable of filtering particles generated by your operation. Prolonged exposure to high intensity noise may cause hearing loss.
- i) **Keep bystanders a safe distance away from work area. Anyone entering the work area must wear personal protective equipment.** Fragments of workpiece or of a broken accessory may fly away and cause injury beyond immediate area of operation.
- j) **Hold the power tool by insulated gripping surfaces only, when performing an operation where the cutting accessory that contacts hidden wiring or its own cord.** A cutting accessory that contacts a "live" wire may make exposed metal parts of the power tool "live" and could give the operator an electric shock.
- k) **Position the cord clear of the spinning accessory.** If you lose control, the cord may be cut or snagged and your hand or arm may be pulled into the spinning accessory.
- l) **Never lay the power tool down until the accessory has come to a complete stop.** The spinning accessory may grab the surface and pull the power tool out of your control.
- m) **Do not run the power tool while carrying it at your side.** Accidental contact with the spinning accessory could snag your clothing, pulling the accessory into your body.
- n) **Regularly clean the power tool's air vents.** The motor's fan will draw the dust inside the housing and excessive accumulation of powdered metal may cause electrical hazards.
- o) **Do not operate the power tool near flammable materials.** Sparks could ignite these materials.
- p) **Do not use accessories that require liquid coolants.** Using water or other liquid coolants may result in electrocution or shock.

Kickback and Related Warnings

Kickback is a sudden reaction to a pinched or snagged rotating wheel, backing pad, brush or any other accessory. Pinching or snagging causes rapid stalling of the rotating accessory which in turn causes the uncontrolled power tool to be forced in the direction opposite of the accessory's rotation at the point of the binding.

For example, if an abrasive wheel is snagged or pinched by the workpiece, the edge of the wheel that is entering into the pinch point can dig into the surface of the material causing the wheel or kick out. The wheel may either jump toward or away from the operator, depending on direction of the wheel's movement at the point of pinching. Abrasive wheels may also break under these conditions.

Kickback is the result of power tool misuse and/or incorrect operating procedures or conditions and can be avoided by taking proper precautions as given below.

- a) **Maintain a firm grip on the power tool and position your body and arm to allow you to resist kickback forces. Always use auxiliary handle, if provided, for maximum control over kickback or torque reaction during start-up.** The operator can control torque reactions or kickback forces, if proper precautions are taken.
- b) **Never place your hand near the rotating accessory.** Accessory may kickback over your hand.
- c) **Do not position your body in the area where power tool will move if kickback occurs.** Kickback will propel the tool in the direction opposite to the wheel's movement at the point of snagging.
- d) **Use special care when working corners, sharp edges etc. Avoid bouncing and snagging the accessory.** Corners, sharp edges or bouncing have a tendency to snag the rotating accessory and cause loss of control or kickback.
- e) **Do not attach a saw chain woodcarving blade or toothed saw blade.** Such blades create frequent kickback and loss of control.

Safety Warnings Specific for Grinding and Abrasive Cut-Off Operations:

- a) **Use only wheel types that are recommended for your power tool and the specific guard designed for the selected wheel.** Wheels for which the power tool was not designed cannot be adequately guarded and are unsafe.
- b) **The guard must be securely attached to the power tool and positioned for maximum safety, so the least amount of wheel is exposed towards the operator.** The guard helps to protect the operator from broken wheel fragments, accidental contact with wheel and sparks that could ignite clothing.
- c) **Wheels must be used only for recommended applications.** For example: do not grind with the side of the cut-off wheel. Abrasive cut-off wheels are intended for peripheral grinding, side forces applied to these wheels may cause them to shatter.
- d) **Always use undamaged wheel flanges that are of correct size and shape for your selected wheel.** Proper wheel flanges support the wheel thus reducing the possibility of wheel breakage. Flanges for cut-off wheels may be different from grinding wheel flanges.
- e) **Do not use worn down wheels from larger power tools.** Wheels intended for larger power tools are not suitable for the higher speeds of smaller tools and may burst.

Additional Safety Warnings Specific for Abrasive Cutting-Off Operations:

- a) **Do not "jam" the cut-off wheel or apply excessive pressure. Do not attempt to make an excessive depth of cut.** Overstressing the wheel increases the loading and susceptibility to twisting or binding of the wheel in the cut and the possibility of kickback or wheel breakage.
- b) **Do not position your body in line with and behind the rotating wheel.** When the wheel, at the point of operation, is moving away from your body, the possible kickback may propel the spinning wheel and the power tool directly at you.
- c) **When wheel is binding or when interrupting a cut for any reason, switch off the power tool and hold the power tool motionless until the wheel comes to a complete stop. Never attempt to remove the cut-off wheel from the cut while the wheel is in motion otherwise kickback may occur.** Investigate and take corrective action to eliminate the cause of wheel binding.
- d) **Do not restart the cutting operation in the workpiece. Let the wheel reach full speed and carefully re-enter the cut.** The wheel may bind, wall up or kick back if the power tool is restarted in the workpiece.
- e) **Support panels or any oversized workpiece to minimise the risk of wheel**

pinching and kickback. Large workpieces tend to sag under their own weight. Supports must be placed under the workpiece near the line of cut and near the edge of the workpiece on both sides of the wheel.

f) Use extra caution when making a “pocket cut” into existing walls or other blind areas. The protruding wheel may cut gas or water pipes, electrical wiring or objects that can cause kickback.

Safety Warnings Specific for Sanding Operations:

a) Do not use excessively oversized sanding disc paper. Follow manufacturers recommendations when selecting sanding paper. Larger sanding paper extending beyond the sanding pad presents a laceration hazard and may cause snagging, tearing of the disc or kickback.

Safety Warnings Specific for Wire Brushing Operations:

a) Be aware that wire bristles are thrown by the brush even during ordinary operation. Do not overstress the wires by applying excessive load to the brush. The wire bristles can easily penetrate light clothing and/or skin.

b) If the use of a guard is recommended for wire brushing, do not allow any interference of the wire wheel or brush with the guard. Wire wheel or brush may expand in diameter due to work load and centrifugal forces.

Additional Safety and Working Instructions:

When grinding metal, flying sparks are produced. Take care that no persons are endangered. Because of the danger of fire, no combustible materials should be located in the vicinity (spark flight zone). Do not use dust extraction.

Avoid flying sparks and sanding dust.

Never reach into the danger area of the machine when it is running.

Immediately switch off the machine in case of considerable vibrations or if other malfunctions occur. Check the machine in order to find out the cause.

Under extreme conditions (e.g. smooth-grinding metals with the arbour and vulcanized fibre grinding disk), significant contamination can build up on the inside of the angle grinder. For safety reasons, in such conditions a ground fault interrupter must be connected in series. If the ground fault interrupter trips the machine must be sent for service.

Chips and splinters must not be removed while the machine is running.

SPECIFIED CONDITIONS OF USE

The product is intended for grinding and cutting metal, stone, and ceramic materials. It can be used for sanding and wire brushing.

Use the cutting guard from the accessories range for cutting application. Please refer to the instructions supplied by the accessory manufacturer.

The product is suitable only for working without water.

WORKING INSTRUCTIONS

For accessories intended to be fitted with threaded hole wheel, ensure that the thread in the wheel is long enough to accept the spindle length.

Always use and store the cutting and grinding disks according to the manufacturer's instructions.

Always use the correct guard for cutting and grinding.

The grinding surface of the centre-depressed disks must be mounted min. 2 mm below the plane of the guard lip.

Always use the auxiliary handle.

The workpiece must be fixed if it is not heavy enough to be steady.

Never lead the workpiece towards the rotating disk by hand.

The flange nut must be securely tightened before the machine is started. If the tool is not securely tightened with the flange nut, it is possible that the tool will lose the required clamping force when it is decelerated.

In the event that a power failure occurs whilst the machine is operating, the brake function will be inoperative.

ELECTRONICS

The built-in electronics will keep a constant speed even when the load is increased.

In case of overload, the rotational speed is reduced until the product stops.

The product has an overload and anti-kickback safety function and stops if it is overloaded. Please note that the product will automatically accelerate back to its original operating speed if the load is removed from it.

After it has reached its operating speed the product is ready for use again.

RESTART CUTOUT

A zero-voltage switch prevents the product from restarting after a power cut (Battery change).

When resuming work, switch the product off and then switch it back on again.

SMOOTH START

Electronic smooth start for safe use prevents jerky run-up of the product.

BATTERIES

Battery packs which have not been used for some time should be recharged before use. Temperatures in excess of 50°C (122°F) reduce the performance of the battery pack. Avoid extended exposure to heat or sunshine (risk of overheating).

The contacts of chargers and battery packs must be kept clean.

For an optimum life time, the battery packs have to be fully charged after use.

To obtain the longest possible battery life, remove the battery pack from the charger once it is fully charged.

For battery pack storage longer than 30 days:

- store the battery pack where the temperature is below 27°C and away from moisture
- store the battery packs in a 30% to 50% charged condition

Every six months of storage, charge the pack as normal.

ADDITIONAL BATTERY SAFETY WARNINGS

⚠ WARNING! To reduce the risk of fire, personal injury, and product damage due to a short circuit, never immerse your product, battery pack or charger in fluid or allow a fluid to flow inside them. Corrosive or conductive fluids, such as seawater, certain industrial chemicals, and bleach or bleach-containing products, etc., can cause a short circuit.

TRANSPORTING LITHIUM BATTERIES

Lithium-ion batteries are subject to the Dangerous Goods Legislation requirements.

Transportation of those batteries has to be done in accordance with local, national and international provisions and regulations.

- The user can transport the batteries by road without further requirements.
- Commercial transport of Lithium-Ion batteries by third parties is subject to Dangerous Goods regulations. Transport preparation and transport are exclusively to be carried out by appropriately trained persons and the process has to be accompanied by corresponding experts.

When transporting batteries:

- Ensure that battery contact terminals are protected and insulated to prevent short circuit.
- Ensure that battery pack is secured against movement within packaging.
- Do not transport batteries that are cracked or leak.

Check with forwarding company for further advice.

MAINTENANCE

The ventilation slots of the product must be kept clear at all times.

If the supply cord of the product is damaged, it must be replaced by a specially prepared cord available through the service organization.

Use only MILWAUKEE accessories and MILWAUKEE spare parts. Should components need to be replaced which have not been described, please contact one of our MILWAUKEE service agents (see our list of guarantee/service addresses).

If needed, an exploded view of the tool can be ordered. Please state the Article No. as well as the machine type printed on the label and order the drawing at your local service agents.

SYMBOLS



CAUTION! WARNING! DANGER!



Please read the instructions carefully before starting the product.



Always wear goggles when using the product.



Wear gloves!



Remove the battery pack before starting any work on the product.



Do not use force.



Only for cutting work



Only for grinding






Accessory - Not included in standard equipment, available as an accessory



Do not dispose of electric tools together with household waste material. Electric tools and electronic equipment that have reached the end of their life must be collected separately and returned to an environmentally compatible recycling facility. Check with your local authority or retailer for recycling advice and collection point.



Class II construction, tool in which protection against electric shock does not rely on basic insulation only, but in which additional safety precautions, such as double insulation or reinforced insulation, are provided.

技術資料	M18 CAG100X	M18 CAG100XPDB
電池電壓	18 V	18 V
轉速	8500 min ⁻¹	8500 min ⁻¹
D = 磨削砂輪的直徑上限	100 mm	100 mm
d = 磨削砂輪孔的直徑	16.0 mm	16.0 mm
 b = 切割片厚度 (最小 / 最大)	1 / 2.5 mm	1 / 2.5 mm
 b = 研磨砂輪的厚度上限	6 mm	6 mm
 D = 剛絲刷的直徑上限	75 mm	75 mm
電子剎車功能	沒有	有
工作軸螺紋	M10	M10
不加電池的重量	1.9 kg	1.9 kg
重量, 不含纜線 EPTA—Procedure 01 / 2003 (Li-Ion 5.0 Ah) 噪音/震動資訊	2.6 kg	2.6 kg
依 EN 60745 所測的測量值一般來說, 本工具的A加權噪音標準為:		
聲壓量測 (K=3dB (A))	83.7 dB (A)	78.9 dB (A)
聲壓率級 (K=3dB (A))	94.7 dB (A)	89.9 dB (A)
穿戴護耳裝置!		

⚠ 警告!

該訊息表所列的振動輻射水準已通過 EN 60745 標準中規定的測試, 在將兩個工具的振動輻射水準進行對比時可用作參考。該訊息表可用來對振動耐受限度進行初步評估。

該訊息表所列的振動輻射水準表示該工具的主要用途的振動輻射水準。若該工具用於其他用途, 使用其他配件或保養不佳, 其振動輻射水準也會不同。在這種情形下, 會大幅增加其在整個運轉期間的振動暴露水準。

工具關閉後或空載運轉時, 還應對其振動暴露水準進行評估。這將大幅降低其在整個運轉期間的振動暴露水準。

確保可用于防止作業人員受到振動影響的其他安舉措, 例如工具及其配件的保養, 作業熟練度以及設計工作方式等。

警告!

請詳閱所有安全警告及說明，包括隨附於手冊內的安全警告及說明。若未能遵守警告與指示，可能會導致觸電、火災和/或嚴重受傷。請將所有警告與指示存檔以供未來參考。

安全說明

打磨、砂磨、鋼絲刷淨、研磨切斷作業的一般安全警告

- a) 本項電動工具是用來作為打磨機、砂磨機、鋼絲刷或切割工具。請詳閱附帶的所有安全警告、指示、圖示與規格。違反下列使用說明可能導致電擊、火災和/或嚴重損傷。
- b) 本電動工具不建議用於類似拋光的作業。不符合工具設計目的作業可能引發危機與個人傷害。
- c) 不得使用非工具製造商推薦與設計的配件。可安裝上的配件不代表能安全地完成作業。
- d) 配件的額定速度不得超出電動工具標示的最高速度。轉速超過其額定速度的配件有損壞與脫離的可能。
- e) 配件的外圍尺寸與厚度不得超過電動工具的額定載量。尺寸不符的配件會影響防護或控制的妥善。
- f) 輪軸尺寸、法蘭盤、墊板或其他配件必須吻合電動工具的心軸。軸孔不合於電動工具安裝點會造成配件失去平衡、過度震動，也可能導致操作失控。
- g) 不得使用破損配件。作業開始前，查看研磨砂輪是否有缺角和裂痕，墊板是否龜裂、撕裂或過度耗損，鋼絲刷的鋼絲是否脫落或破裂。若不慎掉落電動工具或配件，檢查確定是否損壞，或換裝完好的配件。檢查完配件並裝上後，確定自己與旁觀者是位於配件旋轉平面外，開啟電動工具，讓其以無附載的最高速度運轉一分鐘。這個測試有助損壞配件自然掉落。
- h) 穿戴個人護具。依作業內容，使用面罩、安全護鏡或安全玻璃罩。若適用，穿戴防塵口罩、防護耳罩、手套與可隔離研磨碎屑或工件碎屑的工作圍裙。眼部護具必須能阻擋不同作業中可能激飛的碎屑。防塵口罩或呼吸裝置必須能濾掉作業產生的微粒。暴露於高度噪音過久可能導致聽力喪失。
 - i) 維持旁人在工作區外的安全距離。進入工作區必須穿戴個人護具。工件碎片或破損配件可能激飛，在作業進行的附近造成傷害。
 - j) 進行作業時，若配件有接觸到隱藏線路或自身電線的可能，確定握住電動工具的絕緣表面。切割配件接觸到「通電中」的電線可能造成電動工具的金属部分「通電」，引發操作人員觸電的可能。
 - k) 避免電線接觸轉動中的配件。沒有控制好，可能導致電線斷裂或卡住，將你的手掌或手臂向旋轉中配件的方向拉扯過去。
- l) 放下電動工具時要確定配件已完全停止運轉。轉動中的配件可能咬住放置面，拉扯電動工具導致失控。
- m) 不得啟動拿在身體一側的電動工具。意外觸碰可能導致衣物與轉動配件糾纏，拉扯傷及身體。
- n) 定期清潔電動工具的通風孔。引擎的風扇會將灰塵吸入機殼內，金屬粉塵過度累積可能引發導電。
- o) 勿在靠近易燃物品之處使用電動工具，避免激起的花火引燃物品。
- p) 不得使用需要液體冷卻劑的配件。水或液體冷卻劑可能導致觸電死亡或電擊。

反彈與相關警示

反彈是轉輪、墊板、剛刷或其他配件因受緊壓或阻礙而起的瞬間反應。緊壓或阻礙會使得配件運轉滯礙，連帶造成失控的電動工具在受阻點被推往施力的相反方向。

舉例來說，如果研磨砂輪被工件卡住或夾住，輪邊可能會切入受阻點導致砂輪彈升或反彈，砂輪會依受阻時的動作朝著操作者方向彈去或反向彈開，也有可能因此破損。

反彈是電動工具使用不當和/或操作程序或情況錯誤，可透過以下預防措施避免。

- a) 確實握牢電動工具，確定身體與手臂的姿勢足以抵擋反彈力。若有提供，務必使用輔助把手，以完全掌握啟動時的反彈或扭轉反應。藉著適當的預防措施，操作者能有效控制扭轉或反彈力。
- b) 絕不可將手放在轉動中的配件旁，避免可能的反彈觸及手部。
- c) 不可站立於電動工具在反彈發生時可能移動的範圍。反彈會將工具往砂輪受阻點上的施力的反向推進。
- d) 進行邊角或銳角作業時要特別謹慎。避免配件彈跳與受阻。邊角、銳角或彈跳容易阻礙旋轉的配件，造成工具失控或反彈。
- e) 不得安裝銼錐離刺木刀或鋸齒刀鋒。這類刀鋒容易造成頻繁反彈和失控。

磨削和研磨切斷作業的安全警告：

- a) 只使用你的工具建議的輪片，以及特別為不同輪型設計的護套。不符合電動工具設計的輪片無法妥善防護，是不安全的。
- b) 防護裝置必須緊固於電動工具，其安裝位置必須確保作業的最大安全性，也就是減少輪片暴露的面積。防護裝置會避免破損輪片的碎片觸及操作人，以及意外觸碰輪片與可能引燃衣物的火星。
- c) 輪片只可用於建議的用途。舉例來說，不能用切斷片的邊緣進行研磨。研磨切斷輪是用來週邊磨削，側邊施力可能會導致輪片破裂。
- d) 不得使用受損的法蘭盤，即使尺寸與形狀符合選用的砂輪。適合的法蘭盤能支撐砂輪，將低砂輪破裂的可能性。切割砂輪適用的法蘭盤可能不同於磨削輪的法蘭盤。
- e) 不得使用較大的電動工具的舊輪片。較大電動工具所用的輪片不適合速度較高的較小型機器，可能會爆裂。

關於研磨切斷作業的附加安全警告：

- a) 不得擠壓切割砂輪或施加過度壓力。避免過度加深切割處。過度施壓會增加砂輪負載程度，可能造成砂輪扭轉或膠著於切割處，以及反彈或破裂的可能。
- b) 避免身體與轉動中的砂輪成排成一直線，或是站在後方。作業時，砂輪是朝著與身體相反的方向前進，反彈可能將轉動中的砂輪與電動工具直接推向你所在的位置。
- c) 當砂輪膠著滯留或因任何原因中斷切割時，先關閉電動工具，握著工具不動直到砂輪完全停止。千萬不可試圖將轉動中砂輪自切割處移出，這可能造成反彈。檢查並找出砂輪受阻的原因。
- d) 不得在工件上直接開始切割作業。先讓砂輪以全速運轉再重新開始切割。在工件上重新啟動工具可能導致砂輪膠著、彈升或反彈。
- e) 支撐工作板或任何尺寸過大的工件，有助減少砂輪受阻與反彈的風險。大型工件容易因自身重量向下沉墜。支撐物需置於工件下方、靠近切割線、以及切輪兩側的工件邊緣。
- f) 對既有牆面或無法透視的表面進行「挖槽」作業時要特別小心。切入的砂輪可能裁斷瓦斯管線或水管，觸碰到電線或可能導致反彈的物件。

關於砂磨作業的安全警告：

- a) 避免使用過大的砂紙。遵照製造商的建議來選擇砂紙。超出砂磨墊尺寸的砂紙可能撕裂，造成砂輪片滯留、破裂或反彈。

關於鋼絲刷淨作業的安全警告：

- a) 鋼絲刷淨的一般作業中是由刷頭帶動鋼絲。避免過度施力於刷頭與鋼絲過度受壓。鋼絲能輕易地穿破輕薄的衣物和/或肌膚。
- b) 使用鋼絲刷淨作業所建議的防護裝置時，要避免阻礙鋼絲輪/刷。鋼絲輪/刷可能因負載和離心力向外擴張。

包含在戶外等不同地點使用工具時，務必透過 30mA 或以下的殘餘電流裝置 (FI, RCD, PRCD) 來連接電源。

機器尚在運轉時，切勿清除木屑和碎片。

欲連接電源時，需關閉工具。

工具運作時，千萬不能伸手探入工具危險的部分。

務必使用輔助把手。

進行粗軋與分離時，務必使用保護帽。

若有劇烈震動或故障發生的情況，立即關掉工具。檢查工具以找出原因。

遵照製造商的說明來使用和儲存磨削片。

磨削金屬時會有火星飛濺的情況。小心不要危及他人。為避免引起火災，避免將易燃物品置於週邊（火星飛濺可及的範圍）。不可使用吸塵裝置。

謹慎避免接觸自工件上激起的火星或粉塵。

裁切石材時，務必使用引鞋。

使用工具作業前，務必拴緊調整螺帽。

若工件本身重量不足以保持穩定，務必將其固定。絕不可用手將工件推向磨片。

在極端的狀況下（例如：使用心軸和硫化纖維砂輪纖維來精磨金屬），角向磨削機內可能累積大量的粉塵污染。為確保安全，必須將機器內部的金屬沈積物徹底清除，並安裝引擎保護斷路器。若引擎斷路器跳開，務必將機器送修。

配合螺紋孔式砂輪安裝的配件，要確定砂輪螺紋深度足以配合軸長。

進行切割作業時，使用配件系列所提供的防護裝置。

指定的使用條件

角向磨削機可用於切斷、磨削、砂磨與鋼絲刷淨範圍廣泛的多種材質，包含金屬與石材。如有任何疑問，請洽詢提供本操作指示的配件製造商。

請勿以非正常使用的任何其他方式使用本產品。

工作指示

使用有螺紋安裝孔的磨盤時必須注意，安裝孔上螺紋的長度必須能夠配合主軸的長度。

根據磨盤製造商提供的指示操作、儲藏磨盤。

進行粗磨和分割時務必使用防護罩。

安裝彎曲的砂輪時，務必注意到砂輪的研磨面不突出於防護罩緣之外。

務必使用輔助把手。

如果工件無法靠本身的重量站穩，則必須使用固定裝置夾緊工件。割鋸時切勿用手握持工件。

啟動機械前必須擰緊法蘭螺母。

不通過法蘭螺母安全地擰緊施工工具可能會導致施工工具減速時失去所需夾持力。

停電併機械未關閉時剎車功能無效。

電子功能

即使負載不斷增加，內置的電子仍然能夠讓轉速保持恆定。

超載時，速度將被降低，直至停止。

搭配因應負載過量和避免反衝的安全功能，在負載過量時會自動關閉。欲恢復作業，先關閉機器，再重新啟動。

請注意去載後，產品將自動恢復至正常工作速度。

產品到達了運作速度後，可以繼續使用。

再起動保護

零電壓開關可避免機器在斷電後（更換電池）重新啟動。欲恢復作業，先關閉機器，再重新啟動。

電子流暢啟

電子流暢啟動確保操作安全，避免機器突發失控。

電池

久未使用的電池組必須重新充電後再使用。

超過 50°C (122°F) 的高溫會降低電池組的效能。避免暴露於高溫或陽光下(可能導致過熱)。

充電器和電池組的接點處應保持清潔。

為確保最佳電池使用壽命，電池組使用後，應再完全充電。

為確保電池的最長壽命，充電完成後，勿將電池匣繼續留在充電器上。

電池組存放超過30天：

- 將電池組存放於溫度低於27°C的環境，且避免受潮。
- 將電池組保持在充電量30%-50%的狀態。

存放中的電池組應每六個月照常充電一次。

附加電池安全警告

⚠ 警告！ 為了減少因短路而導致火災、人身傷害和產品損壞的風險，請勿將工具、電池組或充電器浸沒在流體中或使流體流入其中。腐蝕性或導電性流體（如海水、某些工業化學品、以及漂白劑或含漂白劑的產品等）都會導致短路。

鋰電池運輸中

鋰離子電池須受制於危險品法例的要求。

運送鋰電池必須在符合當地、國家及國際標準及法例的情況下進行。

- 使用者可於陸地上運送電池而毋須受限。
- 第三方負責的商業式鋰電池運送須受制於危險品法例。運送的預備及過程必須由受嚴格訓練的人士進行，亦必須得到專家在場監管。

運送電池時：

- 請確保電池接觸終端受到嚴密保護及經過絕緣，防止短路。
- 請確保電池組妥善包裝，防止碰撞磨刷。
- 切勿運送有裂痕或洩漏中的電池。

與速遞公司緊密聯繫以獲得進一步資訊。

維修

機器通風口務必隨時保持清潔。

只使用 MILWAUKEE 的配件和備份零件。若需要更替無檢修說明的機件，請洽 MILWAUKEE 的服務代理商（請見我們的服務/保固地址）如有需要，可索取工具的分解圖。

請提供標籤上列印的產品號碼及類型，以向當地代理商索取分解圖。



警告！



啟動機器前，務必詳閱說明書。



操作機器時務必佩戴護目鏡。



請戴好工作手套！



在機器上進行任何維修之前，務必從插座上拔出插頭。



不使用蠻力



只適用於切割作業



只適用於磨削作業



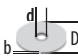


配件 - 不包含在供貨範圍中。請另外從配件目錄選購。



切勿將電動工具與生活垃圾一起處置。無法再使用的電動工具和電子設備必須分開收集及送到環保回收機構。有關回收站和收集站的細節，請與您的地方當局或零售商聯絡。



結構符合第二級絕緣，其中防觸電保護不只依賴基本絕緣，但在其中具有額外的安全措施，提供如雙重絕緣或加強絕緣。

技术数据	M18 CAG100X	M18 CAG100XPDB
电压	18 V	18 V
额定转速	8500 min ⁻¹	8500 min ⁻¹
D = 砂轮片直径max.	100 mm	100 mm
d = 砂轮片孔径	16.0 mm	16.0 mm
 b = 切割片厚度 min. / max.	1 / 2.5 mm	1 / 2.5 mm
 b = 砂轮厚度 max.	6 mm	6 mm
 D = 钢丝刷直径max.	75 mm	75 mm
电子刹车功能	没有	有
主轴螺纹	M10	M10
重量	1.9 kg	1.9 kg
重量符合EPTA-Procedure 01/2003 (Li-Ion 5.0Ah)	2.6 kg	2.6 kg
噪音信息		
本测量值符合 EN 60745-1 条文的规定。器械的标准A-值噪音级为：		
音压值 (K-不可靠性=3dB(A))	83.7 dB(A)	78.9 dB(A)
音量值 (K-不可靠性=3dB(A))	94.7 dB(A)	89.9 dB(A)
请戴上护耳罩！		

注意！

本规程列出的依欧盟EN 60745 标准一项标准测量方法测量的振荡级也可用于电动工具比较并适合于临时振荡负荷估计。该振荡级代表电动工具的主要应用。电动工具的其他应用，不正确的工作工具或欠缺维护可造成振荡级偏差。此可明确提高总工作期间的振荡负荷。

正确地估计一定工作期间的振荡负荷也要考虑到工具关闭或接通而不使用的期间。此可明确减少总工作期间的振荡负荷。

为提高操作人员对振荡作用的保护得规定补充安全措施：电动工具及工作工具的维护，温手，工作过程组织等。



警告！

务必阅读所有安全提示和指示。如未确实遵循警告提示和指示，可能导致电击、火灾并且/或其他的严重伤害。妥善保存所有的警告提示和指示，以便日后查阅。

有关角磨机的安全指示

有关研磨，砂纸研磨，钢丝刷作业、抛光作业和切割作业的警告事项：

- 本电动工具可以充当研磨机、砂纸研磨机、电动钢丝刷、和切割机。务必遵循所有与电动工具有关的警告提示、操作说明、描述和数据。如果忽视以下的指示，可能遭受电击，造成火灾甚至受重伤。
- 本电动工具不适用于砂纸和抛光工作。将本电动工具用于不适合的目的可致人员重伤的风险。
- 不可以使用未经制造商指定或推荐的附件。即使您能够将此附件固定在机器上，仍然无法确保操作安全。
- 嵌装工具的允许转速必须至少为电动工具上载明的最高转速。当配件的转速超过其允许转速时有发生破碎和飞溅的危险。
- 工具的外直径与厚度必须能够配合电动工具的尺寸。使用了大小不合的工具，不仅防护罩无法正确地发挥保护功能，甚至会造成机器失控。
- 附件的螺纹必须符合砂轮轴的螺纹。使用法兰被安装的附件时，附件中的紧固销孔应符合定位法兰的直径。不符合机器安装销的附件会发生离心运转、过度振动并会导致工具失控。
- 不可以使用损坏的工具。使用前先详细检查工具，例如检查砂轮上是否有剥落和断裂的痕迹，检视磨盘是否已经出现裂痕，或强烈磨损，检查钢丝刷上是否有鬆脱和断裂的钢丝。如果电动工具或工具掉落地面，务必检查机器、工具是否摔毁了，为了安全起见也可以选择用其它的完好工具。检查并安装好工具之后，您本身以及您附近的人都必须远离转动中的工具。接著让电动工具以最高转速旋转一分钟。损坏的工具大多会在这段时间内断裂。
- 穿戴好您个人的防护装备。根据用途选择合适的面具、眼罩或护目镜。视情况佩戴防尘面具、耳罩、防护手套或能够隔离细磨屑和金属碎片的特殊工作围裙。避免让操作机器时产生的飞动物体侵入眼睛。防尘面具或防毒面具必须能够过滤工作时产生的粉尘。长期暴露在高噪音的环境中，听力可能受损。
- 与工作无关的人必须和工地保持安全距离。进入工作范围的人都必须穿戴好防护装备。工件的碎片或断裂的工具也可能飞离机器的操作地点，进而伤害工作范围以外的人。
- 在切割附件可能触及暗线或其自身软线之处进行操作时，要通过绝缘握持面来握持工具。切割工具接触到通电电线可将电压加到器械的金属部分并造成电击。
- 在工具尚未完全静止之前，千万不可以放下电动工具。处于自转状态的工具如果接触工作桌面，会产生机器失控的情况。
- 携带电动工具时，切勿开动机器。您的衣服或头髮可能因为一时疏忽而被捲入自转的工具中，甚至工具会割伤您的身体。
- 定期清洁电动工具的通风孔。发动机会把灰尘吸入机壳中，机器中如果堆积了大量的金属尘容易造成触电。
- 不可以燃材料的附近使用电动工具。火花可能点燃这些材料。
- 勿选择必须使用液态冷却剂的工具。使用水或液态冷却剂容易导致触电。

回击和有关的警告事项

- 运转中的工具，例如砂轮、磨盘和钢丝刷等，如果突然被卡住或堵住了，会造成突发性的反弹效应，这个反弹效应被称为回击。转动中的工具如果被堵住了或卡住了会突然停止转动，此

时失去控制的电动工具会朝著工具转向的相反方向弹开。

如果砂轮在工件中被卡住或堵住了，陷在工件中的砂轮缘会被绊住，並造成砂轮断裂或产生回击。此时砂轮可能会朝著操作者移动，或飞离操作者，砂轮的移动方向是由砂轮在被阻挡处的转向决定。另外砂轮也可能因回击而断裂。

未按照规定使用电动工具或者操作不当，都会造成回击。确实遵守下列各防范措施可预防回击。

- 牢牢地握住电动工具。握持机器和操作机器的姿态必须能够抵挡回击。如果机器配备了辅助手柄，一定要握著辅助手柄操作机器；如此才能有效控制回击，並且掌握开动机器时产生的反应扭力。采取合适的预防措施便能够有效控制回击力道和反应力。
- 手不可以靠近转动中的工具。产生回击时工具可能割伤您的手。
- 身体必须远离电动工具的回击范围。发生回击时，电动工具会朝著砂轮转向的相反方向弹开。
- 在角落和锋利的边缘上工作时必须特别小心。避免让工具回弹或是被工件夹住。转动中的工具容易被夹在角落或锋利的边缘上。如果发生上述状况，可能无法控制机器或者造成机器回击。
- 请不要使用链锯片或者带齿的锯片。这类的嵌装工具往往会导致发生反冲，或者造成对电动工具的失控。

针对研磨和切割的特殊警告事项

- 只能使用电动工具的专用磨具，以及能够配合磨具的防护罩。防护罩无法正确地覆盖住非本电动工具专用的磨具，因此容易产生工作意外。
- 安装弯曲的砂轮时，务必注意到砂轮的研磨面不突出于防护罩缘之外。防护罩不能足够地遮蔽突出于防护罩缘之外不正确安装的砂轮。
- 务必使用磨具专用的防护罩。防护罩要正确地安装在电动工具上。适度调整防护罩以便发挥它最大的安全功能。换言之，朝向操作者的磨具部位必须尽可能被防护罩覆盖住。务必使用磨具专用的防护罩。防护罩要正确地安装在电动工具上。适度调整防护罩以便发挥它最大的安全功能。换言之，朝向操作者的磨具部位必须尽可能被防护罩覆盖住。防护罩必须能够保护操作者免受碎片割伤，以及预防操作者不小心碰触磨具。
- 务必依照规定使用磨具。例如：不可以使用切割片的侧缘研磨。切割片主要是利用刀片的边缘切除材料。如果在此类磨具的侧面过度加压，会导致磨具破裂。
- 只能使用完好者的紧固法兰。並根据砂轮的尺寸选择大小正确和形状合适的法兰。合适的法兰能够正确支撑砂轮，並减低砂轮破裂的可能性。切割片的专用法兰，不同於其它砂轮的法兰。
- 不可以使用大型电动工具的老旧砂轮。不可以使用大型电动工具的老旧砂轮。大型电动工具的砂轮不适用于小型电动工具的高速档，此时可能造成砂轮断裂。

与切割有关的其它特殊警告事项

- 避免让切割片卡住，也不可以过度用力推压切割片。割痕不可以过深。切割片如果承受过大的负荷容易弯曲倾斜或被卡住，进而发生回击或磨具破裂等情形。
- 远离转动中切割片的前、后区域。向前推动切入工件中的切割片时，电动工具可能因为突然发生的回击反应，连同转动中的切割片一起弹向操作者。
- 在切割片被夹住或者突然工作中时，要马上关闭电动工具，並镇静地等待切割片减速且停止转动。切勿试从割痕中拔出仍继续自转的切割片，这样可能造成机器回击。尽快检查机器，找出导致切割片被夹住的原因並将其排除。
- 如果切割片仍然插在工件中，则勿开动电动工具。等待切割片的转速上升到正常标准后，再小心地进行未完成的锯割工作。否则切割片可能被夹在工件中、也可能从工件中弹出或者会造成回击。

- e) 支撑好板子或大型的工件，以防止切割片被夹住而发生回击状况。大型的工件比较容易弯曲，所以必须加强工件两侧的固定工作。在割痕附近和工件边缘也要另外安装支撑。
- f) 在墙面和隐蔽处进行“口袋式切割”时必须特别小心。切入工件中的切割片如果割断了瓦斯管、水管、电线或其他的物体，很可能发生回击。

有关砂纸研磨的特殊警告事项：

- a) 不可以使用过大的砂磨纸。请按照机器制造商提供的尺寸，选购合适的砂磨纸。砂磨纸如果突出磨盘之外可能引起伤害或堵住磨盘。而且过大的砂磨纸容易被扯破甚至还会造成机器回击。

使用钢丝刷作业时的特殊注意事项：

- a) 注意，钢丝刷上的钢丝在一般的操作情况下也会掉落。如果用力推压钢丝刷会无谓地加重钢丝的负荷。掉落的钢丝容易刺穿薄的衣物或皮肤。
- b) 使用防护罩时，必须防止防护罩接触钢丝刷。操作机器时的推压力量以及离心力都会加大轮刷和杯刷的直径。

其他安全和工作指示

研磨金属时会产生火花。勿让喷溅的火花伤害旁观者。为了预防火灾，工作范围内（火花的喷溅范围内）不可堆放易燃物品。不可以使用吸尘装置。握持机器时请注意，勿让火花或研磨屑喷到身上。请与运转中的机器保持安全距离。

如果机器强烈震动或出现其他毛病，必须马上关闭机器。详细检查机器以找出故障的原因。

在某些极端的使用状况下（例如用支撑磨盘和纤维板磨盘研磨金属表面），会在角磨机的内部囤积大量污垢。基于安全的理由，必须彻底清除机器内部的金属堆积物，并且要在机器上连接剩余电流（FI）防护开关。如果剩余电流防护开关发出警告讯号，要尽快把机器交给合格修理厂修理。

如果机器仍在运转，切勿清除其上的木屑或金属碎片。

正确地使用机器

角磨机用于切割和粗磨金属，石块等各种材料，并可用塑料盘研磨及用钢丝刷工作。有疑问时，请留意于附件制造者的注意事项。角磨机用于切割和粗磨金属，石块等各种材料，并可用塑料盘研磨及用钢丝刷工作。有疑问时，请留意于附件制造者的注意事项。

切割工作时，得关闭防护罩（含附件目录中）。

有疑问时，请留意于附件制造者的注意事项。

电动工具只适用于进行干式加工。

工作指示

使用有螺纹安装孔的磨盘时必须注意，安装孔上螺纹的长度必须能够配合主轴的长度。

根据磨盘制造商提供的指示操作、储藏磨盘。

进行粗磨和分割时务必使用防护罩。

安装弯曲的砂轮时，务必注意到砂轮的研磨面不突出于防护罩缘之外。

务必使用辅助把手。

如果工件无法靠本身的重量站稳，则必须使用固定装置夹紧工件。割锯时切勿用手握持工件。

启动机械前必须拧紧法兰螺母。

不通过法兰螺母安全地拧紧施工工具可能会导致施工工具减速时失去所需夹持力。

停电并机械未关闭时刹车功能无效。

电子

虽然负荷不断增加，内置的电子装置仍然能够让转速保持稳定。

超载时，速度将被减至停止。

由于机器具有超载和防反弹防护功能，相应超载下机器将停止。

请注意到去载后机器将自动恢复正常工作速度。

机器获得了工作速度后，可以继续工作。

再启动保护

停电（电池更换）后，零压开关将防止机器重新启动。

当重新开始工作，关掉机器，然后重新启动。

缓速启动装置

电子缓速启动装置可以避免机器猛然启动，让使用者能够握稳机器安全操作。

蓄电池

长期存放的蓄电池，必须先充电再使用。

如果周围环境的温度超过摄氏 50 度，蓄电池的功能会减弱。勿让蓄电池长期暴露在阳光或暖气下。

充电器和蓄电池的接触点都必须保持干净。

为获得最长寿命，使用后应把蓄电池充满电。

为确保最长使用寿命，充电后应把蓄电池从充电器取出。

蓄电池储存时间长于30日：

- 在环境温度27°C左右干燥处储存蓄电池。
 - 在百分之30至50充电状态储存蓄电池。
- 每过6个月至少需要重新充电一次。

附加電池安全警告

⚠ 警告！ 為了減少因短路而導致火災、人身傷害和產品損壞的風險，請勿將工具、電池組或充電器浸沒在液體中或使液體流入其中。腐蝕性或導電性液體（如海水、某些工業化學品、以及漂白劑或含漂白劑的產品等）都會導致短路。

锂电池的运输

锂离子蓄电池属于危险货品并受制于危险货品运输条例。

此电池的运输必须遵守地方、国家和国际法律规定。

- 用户在公路上运输此电池不必遵守特殊规定。

• 锂电池的商业性运输受制于危险货品运输条例的规定。运输准备和运输必须由受过合适培训人员进行。全部过程必须由合格专业人员监督。

运输电池时必须注意到下列事项：

- 为避免短路，必须确保蓄电池接点的防护和绝缘。
- 确保包装中的电池包不会滑动。
- 严禁运输损坏或泄漏电池。

进一步建议请联系运输商。

维修

机器的通气孔必须随时保持清洁。

只能使用 MILWAUKEE 的配件和 MILWAUKEE 的零件。缺少检修说明的机件如果损坏了，必须交给 MILWAUKEE 的顾客服务中心更换（参考手册“保证书/顾客服务中心地址”）。

如果需要机器的分解图，可以向您的顾客服务中心咨询。索件时必须提供以下资料：机型和机器铭牌上的六位数字码。

符号



请注意！警告！危险！



使用本机器之前请详细阅读使用说明书。



操作机器时务必佩戴护目镜。



请戴好工作手套！



在机器上进行任何修护工作之前，先拿出蓄电池。



不使用蛮力



只适用于切割作业。



只适用于磨削作业。






配件 - 不包含在供货范围中。请另外从配件目录选购。



电气工具必须与生活垃圾分开处理。电气机器和电子机器必须单独分开收集并送到回收站以确保符合环境保护的处理。有关回收站和收集站的细节，请与主管当局或您的专业经销商联络。



保护等级II工具具有不只依赖于基本绝缘，但依赖于双重或强化绝缘等保护措施电击保护的电动工具。没有连接保护线的装置。

기술사항	M18 CAG100X	M18 CAG100XPDB
배터리 전압	18 V	18 V
속도	8500 min ⁻¹	8500 min ⁻¹
D = 연삭 디스크 최대 직경	100 mm	100 mm
d = 연삭 디스크 구멍 직경	16.0 mm / 15.0 mm	16.0 mm / 15.0 mm
 b = 절단 디스크 두께 (최소 / 최대)	1 / 2.5 mm	1 / 2.5 mm
 b = 연삭 디스크 최대 두께	6 mm	6 mm
 D = 배선 브러시 최대 직경	75 mm	75 mm
전자 제동 기능	아니오	예
작업 스펀들의 스퀘드	M10	M10
배터리 제외 무게	1.9 kg	1.9 kg
EPTA-Procedure 01/2003에 따른 무게	2.6 kg	2.6 kg
소음/진동 정보		
EN60 745 에 따른 측정값 일반적인 A- 측정소음레벨:		
음압레벨 (K = 3 dB(A))	83.7 dB(A)	78.9 dB(A)
소음레벨 (K = 3 dB(A))	94.7 dB(A)	89.9 dB(A)
귀마개를 착용하십시오!		

⚠ 경고!

여기에 제공된 진동 방사 값은 EN60745 에 따라 표준화된 방법으로 측정된 것이므로 다른 공구와의 비교해서 사용 가능합니다. 그리고 이 값은 조출에 대한 사전 평가값으로 사용 될 수 있습니다. 여기에 선언된 진동값은 전동공구를 정상적인 사용 용도로 사용할 때 해당 됩니다. 만약 정상적인 용도이외 다른용도로 공구를 사용하거나 정품이 아닌 액세서리 혹은 잘 관리 되지 않은 상태의 공구를 사용하신다면 진동방사값은 다를수있습니다. 이러한 사용은 총 작업시간에 거쳐 노출의 정도와 양을 심각하게 증대 시킬 수 있습니다. 진동 방사에 대한 노출은 공구가 꺼져있거나, 동작중이지만 실제로 작업을 하지 않는 시간을 고려해야 합니다. 이러한 시간은 총 작업시간에 거쳐 노출의 정도와 양을 심각하게 줄여줄 수있습니다. 지속적인 공구와 액세서리의 정비 그리고 손을 따뜻하게 유지 관리, 작업패턴의관리 등 사용자 진동 노출의 위험으로부터 줄여줄 수 있는 추가적인 안전 방법을 숙지 하십시오.

경고

제품에 동봉된 브로셔를 포함한 모든 안전 경고와 안내를 숙독하십시오. 경고와 안내를 따르지 않는 경우 전기 쇼크나 화재 혹은 심각한 부상을 입을 수 있습니다.

모든 경고와 안내는 차후 참조를 위해 보관하세요.

안전 수칙

쇠솔 및 연마제 커팅으로 작업하는 연마 작업을 위한

일반 안전 지침:

a) 본 전동 공구는 연마기, 쇠솔 작업 또는 절단공구용으로 사용됩니다. 공구와 함께 제공된 제반 안전 경고, 사용 설명서, 그림 및 사양을 숙독하십시오. 아래의 지침을 따르지 않으면 전기 충격, 화재 및 중대한 부상을 초래할 수 있습니다.

b) 사포나 광택 작업은 이 전동 공구로 수행하기에 적합하지 않습니다. 본 전동 공구를 본래 용도 이외의 목적으로 사용하는 경우, 위험이나 신체적 부상을 입을 수 있습니다.

c) 재회사나 특별한 설계가나 권장하지 않은 악세사리는 사용하지 마십시오. 악세사리가 전동 공구에 부착될 수 있다고 해서 안전한 작동을 보장하는 것은 아닙니다.

d) 악세사리의 정격 속도는 적어도 전동 공구에 표시된 최대 속도와 같아야 합니다. 정격 속도보다 더 빨리 회전하는 악세사리는 부서져 날라갈 수 있습니다.

e) 악세사리의 바깥 직경이나 두께는 전동 공구의 정격용량 범위 이내에 있어야 합니다. 규격이 맞지 않는 악세사리는 적절히 보호되지 않거나 조절될 수 없습니다.

f) 휠, 플렌지, 받침대 기타 다른 악세사리의 축사이즈는 전동 공구의 축에 제대로 맞아야 합니다. 전동 공구 고정 장치와 축공(軸孔)이 맞지 않는 악세사리는 균형을 잃거나 진동이 심해서 통제력을 상실할 수 있습니다.

g) 손상된 악세사리를 사용하지 마십시오. 사용하기 전에, 항상 연마 바퀴에 이가 빠졌거나 균열이 있는지, 받침대에 결함이 있거나 마모가 심하게 되었는지, 쇠솔의 조임과 와이어 손상 여부 등 악세사리를 점검하십시오. 전동 공구나 악세사리를 바퀴에 떨어뜨린 경우, 손상 여부를 점검하고 손상되지 않은 악세사리를 설치하십시오. 악세사리의 점검과 설치가 끝나면, 회전하는 악세사리의 날개에서 떨어져 서서, 1분 간 전동 공구를 최대 무부하 속도로 가동하십시오. 손상된 악세사리라면 대개 이 테스트 시간 동안 떨어져 나갈 것입니다.

h) 개인 보호 장비를 착용하십시오. 용도에 따라 안전보호구, 안전 고글 또는 보안경을 사용하십시오. 필요하면 작은 연마재나 작업중의 파편 등을 막을 수 있는 방진 마스크, 귀마개, 장갑 및 공장을 앞치마를 착용하십시오. 눈 보호장구는 여러 작업에서 발생하는 날아다니는 파편들을 막아줄 수 있어야 합니다. 방진마스크는 작업 중 발생하는 미량의 입자들을 걸러낼 수 있어야 합니다. 심한 소음에 오래 노출되어 있으면 청력이 손실될 수 있습니다.

i) 작업과 관계없는 사람들은 작업 현장에서 안전거리를 유지해야 합니다. 작업 현장에 들어가는 사람은 반드시 개인 보호 장비를 착용하여야 합니다. 작업중인 물건의 파편이나 깨진 악세사리 파편이 날아가 작업장 밖의 사람에게 부상을 입힐 수 있습니다.

j) 작업중에는 절단용 악세사리가 숨겨진 전선이나 자기의 전선선에 접촉할 수 있습니다. "전기가 통하는" 전선에 접촉하는 부품은 절단하는 작업은 전동 공구의 금속이 노출된 부분으로 "전기가 통하게" 만들어 작업자에게 전기 충격을 줄 수 있습니다.

k) 악세사리가 완전히 멈출 때까지는 전동 공구로부터 내려놓지 마십시오. 회전하는 악세사리가 표면에 닿으면 달으면 전동 공구를 잡아당기는 힘 때문에 조절할 수 없게 됩니다.

l) 악세사리가 완전히 멈출 때까지는 전동 공구로부터 내려놓지 마십시오. 회전하는 악세사리가 표면에 닿으면 달으면 전동 공구를 잡아당기는 힘 때문에 조절할 수 없게 됩니다.

m) 정면이 아닌 측면에서 전동 공구를 잡은 채로 가동해서는 안됩니다. 회전하는 악세사리가 옷가지에 닿으면 옷을 타고 흘러와 부상을 입을 수 있습니다.

n) 전동 공구의 공기 구멍은 정기적으로 세척하십시오. 모터 팬이 먼지를 통해 안으로 끌어들이기 때문에 먼지가 많이 쌓인 금속은 전기 위험을 초래할 수도 있습니다.

o) 전동 공구를 가연성 물질 가까이서 작동하지 마시오. 스파크가 일어나 이런 물질에 붙어 붙을 수 있습니다.

p) 냉각수를 요하는 악세사리를 사용하지 마십시오. 물이나 냉각수를 사용하면 감전사나 전기 충격을 초래할 수 있습니다.

반동 및 관련 경고

반동이란 회전하는 휠, 받침대, 솔 또는 기타 악세사리에 이물질이 끼이거나 걸렸을 때 나타나는 갑작스런 반응을 말합니다. 이물질이 끼이거나 걸리면 회전하는 악세사리가 급작스럽게 속도가 떨어져 전동 공구가 조절 불능 상태가 되어 작업자는 순간에 악세사리의 회전 방향과 반대 방향으로 힘이 가해집니다.

예를 들어, 연마 휠에 작업 물건의 끼이거나 걸리면, 끼인 지점으로 들어가는 휠 가장자리가 물건의 표면을 파고들어가 휠이 이탈하거나 튀어나갑니다. 이물질이 끼인 순간 휠의 움직임의 방향에 따라, 휠이 작업자 쪽으로 또는 반대방향으로 튀어 오를 수 있습니다. 이런 상황에서 연마 휠이 깨질 수 있습니다.

반동은 전동 공구를 잘못 사용하거나 잘못된 작동절차 때문에 일어나는 현상으로, 아래 설명하는 적절한 예방 조치를 취한다면 피할 수 있습니다.

a) 전동 공구를 단단히 잡고 반동하는 힘에 저항할 수 있도록 몸과 팔을 위치시키십시오. 가동 중에 반동이나 반작용 토르크를 최대한 컨트롤할 수 있으면 항상 보조 핸들을 사용하십시오. 적절한 예방 조치를 취한다면, 작업자는 반작용 토르크나 반동하는 힘을 조절할 수 있습니다.

b) 회전하는 악세사리 가까이 손을 대지 마십시오. 악세사리가 손을 통해 반동할 수 있습니다.

c) 반동이 일어나면, 전동 공구가 움직이는 구간에서 있지 마십시오. 반동은 이물질이 걸리면 순간 휠의 움직임과 반대 방향으로 전동 공구를 밀어부칩니다.

d) 모퉁이나 예리한 모서리가 있는 곳에서 작업할 때에는 특별히 주의를 하십시오. 악세사리를 반동시키거나 이물질이 걸리게 하지 마십시오. 모퉁이나 예리한 모서리가 있는 곳에서 작업할 때에는 회전하는 악세사리에 이물질이 잘 걸려서 통제력 상실이나 반동이 발생하는 경향이 있습니다.

e) 톱 체인, 목각 날이나 이가 있는 톱날을 부착시키지 마십시오. 그런 종류의 날이 반동이나 통제력 상실을 자주 발생시킵니다.

연마 및 연마제 절단 작업에 대한 특별 안전 경고

a) 선택된 휠에 맞게 특수 설계된 보호대와 전동공구에 적합한 휠 타이만을 사용하십시오. 전동 공구

용도에 설계되지 않은 휠은 적절하게 보호되지 않고 안전하지 않습니다.

b) 보호대는 전동 공구에 확실하게 부착되어 최대의 안전을 보장해야 합니다. 그러기 위해 휠의 최소 부분만이 작업자 방향으로 노출되어 있습니다. 보호대는 깨진 휠 파편으로부터 작업자를 보호해주고, 우연한 접촉으로 꽃잎이 옷에 정화되는 것을 막아줍니다.

c) 휠은 권장된 목적으로만 사용되어야 합니다. 예를 들면, 절단 휠의 측면으로 연마 작업을 하지 마십시오. 연마 절단 휠은 주변 연마용입니다. 이 휠에 가해지는 측면 힘이 휠을 부서뜨릴 수 있습니다.

d) 항상 선택된 휠에 맞는 크기와 모양의 손상되지 않은 휠 플렌지를 사용하십시오. 적합한 휠 플렌지를 사용해야만 휠을 지지하고 휠의 파손 가능성을 줄입니다. 절단 휠 플렌지는 연마용 휠 플렌지와 다릅니다.

e) 더 큰 전동 공구에서 나온 마모된 휠을 사용하지 마십시오. 더 큰 전동 공구용 휠은 작은 공구의 더 빠른 스피드에 적합하지 않아 터질 수 있습니다. 공구에 적합한 휠 타이만을 사용하십시오. 전동 공구용으로 설계되지 않은 휠은 적절하게 보호되지 않고 안전하지 않습니다.

연마 절단 작업에 대한 특별 안전 경고 추가:

a) 절단 휠에 이물질이 "끼이지" 않게 하고 지나친 압력을 가하지 마십시오. 절단의 깊이를 너무 깊게 하고도 하지 마십시오. 휠에 너무 압력을 가하면 부하가 걸려 절단 휠이 뒤틀리거나 육질 위험이 있으며 이에 따라 반동이나 휠 파손 우려가 있습니다.

b) 몸이 회전하는 휠과 나란히 있거나 뒤에 있어서 안 됩니다. 작동 순간 휠이 몸에서 떨어져 움직이면 반동의 힘이 회전하는 휠과 전동

공구를 몸쪽으로 밀어붙일 우려가 있습니다.

c) 휠이 묶여있거나 어떤 이유로든 절단 작업이 방해받으면, 전동 공구의 스위치를 끄고 휠이 완전히 멈출 때까지 전동 공구를 움직이지 않도록 들고 있어야 합니다. 휠이 움직이고 있는 동안 절단 휠을 제거하려고 하지 마십시오. 반동이 생길 수 있습니다. 휠이 묶인 이유를 조사하고 원인을 제거하기 위한 적절한 조치를 하십시오.

d) 작업물에 절단 작업을 바로 다시 시작해서는 안됩니다. 휠을 최고 속도로 돌려 본 뒤에 조심스럽게 다시 절단에 들어갑니다. 전동 공구가 작업물에 다시작업이 시작되면, 휠이 묶여서 반동이 일어날 수 있습니다.

e) 휠에 이물질이 끼거나 반동의 위험을 최소화하기 위해 판넬이나 종 큰 작업물을 받쳐주는 것이 좋습니다. 크기가 큰 작업물은 무게 때문에 축 늘어질 수 있습니다. 절단선 근처의 작업물 밑에, 휠 양쪽 작업물가장자리 근처에 받침대를 놓아야 있습니다.

f) 기존 벽이나 보이지 않는 부분의 "포켓 절단"을 할 때에는 특별히 주의하십시오. 돌출 휠은 가스관이나 수도관, 전선이나 반동을 일으킬 수 있는 물체를 절단할 수 있습니다.

샌딩 작업에 대한 구체적 안전 경고:

a) 과도하게 큰 샌딩 디스크 페이퍼를 사용하지마십시오. 샌드페이퍼 선택 시 제조사의 권고사항을 따라하십시오. 샌딩 패드를 초과하는 커다란 샌드페이퍼는 찢어질 위험이 있고, 디스크가 걸리거나 파손 또는 반동을 유발할 수 있습니다.

쇠솔 작업을 위한 특별 안전 경고:

a) 쇠솔은 정상 작동 중에도 브러쉬로 덮여진다는 것을 잊지마십시오. 브러쉬에 지나친 부하를 주어 와이어에 너무 큰 압력을 가하지 말아야 합니다. 쇠솔은 가벼운 옷이나 피부를 쉽게 뚫을 수 있습니다.

b) 쇠솔 작업에 보호대의 사용이 요구되는 경우, 보호대가 와이어 휠이나 브러쉬에 방해가 되어서는 안 됩니다. 와이어 휠이나 브러쉬의 직경이 작업 부하나 원심력으로 인해 확장될 수 있습니다.

야외를 포함한 다양한 장소에서 사용되는 기기는 30mA 이하의 잔류 전류 장치(FI, RCD, PRCD)를 통해 연결되어야 합니다.

기계가 작동 중일 때 톱밥과 파편을 제거해서는 안됩니다. 기계가 꺼져 있을 때만 플러그를 연결하십시오. 기계가 작동 중일 때 그 기계의 위험 영역에 들어가지 마십시오.

거친 암연이나 분리 작업을 할 때에는 항상 보호 모자를 착용하십시오.

진동이 심하게 나거나 이상 기능이 나타나는 경우에는 즉시 스위치를 꺼 주십시오. 원인을 찾기 위해서 기계를 점검하십시오. 연마 디스크는 제조사의 지침에 따라 사용하고 보관하십시오.

금속을 연마할 때에는 불꽃이 튀날 수 있다. 아무도 위험하지 않도록 조심 하십시오. 화재의 위험 때문에 가연성 물질은 가까운 곳에 두어서는 안 됩니다(불꽃이 닿는 구역). 먼지 추출기를 사용하지 마십시오.

불꽃이나 모래 먼지가 작업물에서 날아와 몸에 직접 닿지 않도록 주의하십시오.

돌을 분리할 때는 가이드 슈를 사용해야 합니다.

기계로 작업을 시작하기 전에 조정 너트를 조여야만 합니다.

작업물이 안정적인 정도로 크지 않다면 고정시켜야 있습니다. 작업물을 손으로 잡고 연마 디스크로 끌여당겨서는 안 됩니다.

극단적인 조건(예: 아베 및 가황 섬유 스톱을 통한 부드러운 연마)에서는 앵글 그라인더의 내부에 상당한 오염 물질이 축적될 수 있습니다. 안전을 위해, 이러한 조건에서는 내부의 금속 침전물을 철저히 청소하고 모터 회로 차단기를 직렬로 연결해야 합니다. 모터회로 차단기가 트립되는 경우, 수리를 위해 기계를 맡겨야 합니다.

익세서리가 나사로 고정된 구멍 휠에 맞추기 위해서는 휠의 나사 길이가 회전 길이를 받아들이는 만큼 충분히 길어야 있습니다.

작업을 수행할 때는 부속품 범위 내에서 안전 가드를 사용합니다.

사용조건

그라인더는 금속이나 돌과 같은 다양한 재료의 절삭, 연삭, 연마 및 와이어 브러싱을 위해 사용될 수 있습니다. 의심가는 점이 있을 경우, 부속품 제조업체에서 제공하는 지침을 참조하십시오.

이 제품을 정상 사용에 나열되지 않는 다른 용도로 사용하지 마십시오.

전자

제로 전압 스위치는 정전(배터리 교환) 후 기계가 다시 시작되는 것을 방지합니다. 작업을 다시 시작할 때에는 기계 스위치를 껐다가 다시 켜니다.

기계에는 과부하 및 안티 킥백 안전 기능이 있어서 과부하의 경우 멈춥니다. 작업을 다시 시작할 때에는 기계 스위치를 껐다가 다시 켜니다.

전자적 스무스 스타트

전자적 스무스 스타트는 기계가 갑자기 시작되는 것을 방지합니다.

배터리

새 배터리는 4-5회의 충전과 방전 이후에 최대 충전 능력에 다라르게 됩니다. 한창동안 사용하지 않으신 경우에는 사용하기 전에 반드시 충전시켜야 합니다.

설비 50도 (122°F) 가 넘는 온도는 배터리팩 성능을 저하 시킵니다. 장시간 열 혹은 햇빛에 노출시키지 마십시오.(과열의 위험)

배터리와 충전기의 접촉부위는 깨끗해야 합니다.

최적의 수명을 위해, 배터리팩은 사용후 반드시 완충전 작업을 해줍니다.

30일 이상 배터리팩을 보관할 경우:

- 온도가 27°C 이하 이고 습하지 않은 곳에서 배터리를 보관합니다.
- 배터리팩은 30% -50% 충전된 상태로 보관 합니다.

보관한지 6개월이 경과할 때마다 팩을 정상적으로 충전하십시오.

추가 배터리 안전 주의 사항

⚠ 경고! 단락 회로로 인한 화재, 작업자 부상 및 제품 손상 위험을 줄이려면 톱, 배터리 팩 또는 충전기를 유체에 침수시키거나 유체가 내부로 흘러들어가지 않도록 해야 합니다. 해수, 특정한 산업용 화학 물질 및 표백제 또는 표백제 함유 제품 같은 부식성 또는 전도성 유체 등은 단락 회로를 야기할 수 있습니다.

리튬 배터리 운송

리튬 이온 배터리는 위험물 관련 입법 요구사항이 적용됩니다. 리튬 이온 배터리의 운송은 지역, 국가, 국제 규정, 표준 및 규정에 따라 이행되어야 합니다.

- 사용자는 추가 제한 없이 배터리를 육상으로 수송할 수 있습니다.
- 제 삼자에 의한 리튬 이온 배터리의 상업적 운송은 위험물 취급 규정의 적용을 받습니다. 운송 준비 및 운송은 전적으로 적절한 훈련을 받은 사람에게 의해 수행되어야 하며 해당 전문가들의 감독을 받아야 합니다.

배터리 운송 시 :

- 배터리 접촉면을 보호 및 차단하여 합선 위험을 방지하십시오.
- 배터리 팩이 포장 내에서 움직이지 않도록 고정시키십시오.
- 금이 가거나 누출된 배터리는 운송하지 마십시오.

더 많은 정보를 원하면 운송회사에 문의하십시오.

기계 통풍구는 항상 청결을 유지시켜야 합니다.

교체에는 특수 목적 공구가 필요합니다. 반드시 MILWAUKEE의 부속품과 예비 부품들만을 사용하시기 바랍니다.

설명서에 명시되어 있지 않은 부품들을 교체해야 할 경우, MILWAUKEE 서비스센터로 연락 주시기 바랍니다.

만약 고객께서 필요로 하신다면, 공구의 조립도도 주문하실 수 있습니다.

라벨에 적혀있는 공구의 타입과 모델번호를 적으신 후, 가까운 서비스 센터나 혹은 아래의 주소로 직접 조립도를 주문하시기 바랍니다.

상징



경고!



공구를 동작시키기 전에 사용설명서를 숙독하십시오.



기계를 사용할 때 반드시 보호 안경을 착용하십시오.



장갑을 착용합니다.



공구에 어떤 작업을 하기전에 배터리를 제거하십시오.



무리한 힘을 사용하지 않습니다.



절단 작업시 바른 위치



그라인딩 작업시 바른 위치






액세서리 - 표준 장비에 포함되어 있지 않음.
액세서리로 구입할 수 있음.



전동도구를 가정 생활폐기물과 함께 폐기해서는 안됨. 수명이 다 한 전동도구와 전자 장비는 분리 수거한 다음, 환경적으로 양립할 수 있게 하는 재활용시설로 보내야 함. 재활용에 관한 조건과 수거 지점에 대해서는 지방 정부당국이나 소매업자에게 확인하십시오.



Class II 건축 공구 - 감전 보호를 기본 절연 장치에만 의존하지 않고 이중 절연이나 강화 절연과 같은 추가 안전 예방조치를 제공하는 공구.

ข้อมูลทางเทคนิค	M18 CAG100X	M18 CAG100XPDB
แรงดันไฟแบตเตอรี่	18 V	18 V
ความเร็ว	8500 min ⁻¹	8500 min ⁻¹
D = เส้นผ่าศูนย์กลางสูงสุดของจานเจียร	100 mm	100 mm
d = ความหนาตัดดิสก์ (ต่ำสุด / สูงสุด)	16.0 mm	16.0 mm
 b = ความหนาสูงสุดของจานเจียร	1 / 2.5 mm	1 / 2.5 mm
 b = ความหนาสูงสุดของจานเจียร	6 mm	6 mm
 D = เส้นผ่าศูนย์กลางสูงสุดของแปรงลวด	75 mm	75 mm
ฟังก์ชันหยุดการทำงานด้วยอิเล็กทรอนิกส์	ไม่มี	มี
เส้นโยกจากการทำงาน	M10	M10
น้ำหนักโดยปราศจากแบตเตอรี่	1.9 kg	1.9 kg
น้ำหนักตามขั้นตอน 01/2003 ของ EPTA (EPTA-Procedure 01/2003)	2.6 kg	2.6 kg
ข้อมูลความถี่เสียง/การสั่นสะเทือน		
กำหนดค่าที่วัดตามมาตรฐาน EN 60745 ตามปกติ น้ำหนักระดับเสียง A ของเครื่องมือที่มี:		
ระดับความดันของเสียง (K = 3 dB(A))	83.7 dB(A)	78.9 dB(A)
ระดับพลังเสียง ((K = 3 dB(A)) สวมที่ครอบหู!	94.7 dB(A)	89.9 dB(A)

คำเตือน!

ระดับการปล่อยแรงสั่นสะเทือนในแผ่นนี้ ข้อมูลนี้ได้รับการตรวจวัดตามการทดสอบมาตรฐานที่กำหนดใน EN 60745 และอาจจะใช้ในการเปรียบเทียบเครื่องมือหนึ่งกับอีกเครื่องมือหนึ่ง มันอาจจะถูกนำมาใช้สำหรับการประเมินความเสี่ยงเบื้องต้น

ค่าการปล่อยแรงสั่นสะเทือนที่เปิดเผยออกมาแสดงถึงหน้าที่หลักของเครื่องมือ แต่ ถ้าใช้ เครื่องมือสำหรับงานที่แตกต่าง กัน พร้อมกับอุปกรณ์เสริมที่แตกต่างกัน หรือได้รับการดูแลรักษา น้อยมาก การปล่อยแรงสั่นสะเทือนอาจแตกต่างกันออกไป นี่อาจเพิ่มระดับความเสี่ยงในเชิง เวลาที่ทำงานทั้งหมดได้ อย่างมาก

การประมาณค่าของระดับความเสี่ยงต่อการสั่นสะเทือนควรพิจารณาถึงตอนที่เครื่องมือถูกปิด ดหรือเมื่อมีการทำงาน แต่ ไม่ได้ทำงานด้วยเช่นกัน เนื่องจากลดระดับ ความเสี่ยงในเชิง เวลาที่ทำงานทั้งหมดได้ อย่างมาก

กำหนดมาตรการความปลอดภัยเพิ่มเติมเพื่อป้องกันผู้ใช้งานจากผลกระทบของการสั่นสะเทือน เช่น ดูแลรักษาเครื่องมือและอุปกรณ์เสริม ทำให้ มีอยู่ นตลอด จัดการรูปแบบการทำงาน

คำเตือน!

อ่านคำเตือนเรื่องความปลอดภัยและคำสั่งทั้งหมด รวมถึงในโบรชัวร์ประกอบ หากไม่ปฏิบัติตามคำเตือนและคำสั่งอาจส่งผลให้เกิดไฟฟ้าช็อต ไฟไหม้และ / หรือบาดเจ็บสาหัสได้

บันทึกคำเตือนและคำแนะนำทั้งหมดเพื่อสำหรับการอ้างอิงในอนาคต

คำแนะนำด้านความปลอดภัย

คำเตือนเพื่อความปลอดภัยทั่วไปสำหรับการเสียบ ชดถหาย ลวดขัด หรือการตัดแบบขัด:

- เครื่องมือไม่มีตัวอุปสรรคเพื่อทำงานเป็นเครื่องมือในการเสียบ ชดถหาย แปรงลวดหรือตัด มีคำแนะนำ ภาพประกอบและข้อมูลมาพร้อมกับเครื่องใช้ ไฟฟ้านี้ การไม่ปฏิบัติตามคำแนะนำทั้งหมดตามที่ระบุไว้ด้านล่างนี้อาจส่งผล ให้เกิดไฟฟ้าช็อต ไฟไหม้และ / หรือทำให้ได้รับบาดเจ็บสาหัสได้
- ไม่แนะนำให้ใช้ทำงาน เช่นการขัดกับเครื่องนี้ การใช้เครื่องมือไฟฟ้าที่ไม่ได้ออกแบบมาโดยเฉพาะอาจเกิดอันตรายและก่อให้เกิดการบาดเจ็บได้
- ห้ามใช้อุปกรณ์ที่ไม่ได้รับการออกแบบมาโดยเฉพาะและแนะนำโดยผู้ผลิต เครื่องมือไม่มีเพราะอุปกรณ์ไม่สามารถต่อกับเครื่องมือไฟฟ้าของคุณได้ไม่ได้ รับประกันว่าจะทำงานได้อย่างปลอดภัย
- อัตราความเร็วของอุปกรณ์เสริมต้องมีความเร็วสูงอย่างน้อยเท่ากับที่ได้แจ้งไว้บนเครื่องมือไฟฟ้า อุปกรณ์เสริมที่ทำงานเร็วกว่าอัตราความเร็วของ เครื่องอาจทำให้เกิดการบาดเจ็บอย่างเพียงพอ
- เส้นผ่าศูนย์กลางภายนอกและความหนาของอุปกรณ์เสริมของคุณจะต้องอยู่ในอัตราความจุของเครื่องมือไฟฟ้า อุปกรณ์เสริมที่มีขนาดไม่ถูกต้องอาจ ไม่ได้รับการปกป้องหรือควบคุมอย่างเพียงพอ
- ขนาดรอยขีดของจานเสียบ หน้าแปลน แผ่นรองหลังหรืออุปกรณ์เสริมอื่น ๆ ต้องเข้ากันได้พอดีกับแกนหมุนของเครื่องมือไฟฟ้า อุปกรณ์ที่มีรอยขีดไม่ตรง กับซาร์ตแวร์ที่ติดตั้งของเครื่องมือไฟฟ้าจะเสียหาย ความสมดุล สั่นสะเทือนมาก เกินไปและอาจทำให้เกิดการสั่นสะเทือนการควบคุม
- ห้ามใช้อุปกรณ์เสริมที่ได้รับการรับรองความปลอดภัย ก่อนการใช้งานแต่ละครั้ง ควร ตรวจสอบอุปกรณ์เสริม เช่น รอยบินหรือแตกของใบขัด รอยแตกของแผ่น รองหลัง การฉีกขาดหรือสึกหรอมากเกินไป เส้นแปรงลวดที่หลวมหรือแตก หากเครื่องมือหรืออุปกรณ์เสริมแตก ให้ตรวจสอบความเสียหายหรือติดตั้ง อุปกรณ์เสริมที่ไม่เสียหาย หลังจากการตรวจสอบและติดตั้งอุปกรณ์เสริม ตัว คุณและผู้ที่ยึดต้องอยู่ห่างจากงานและการหมุนของอุปกรณ์เสริม และตัดเครื่องมือด้วยความเร็วสูงโดยไม่ไหลดเป็นเวลาหนึ่งนาที โดยปกติ แล้วอุปกรณ์ที่ได้รับการรับรองความปลอดภัยจะแตกออกจากรันในช่วงที่ทดสอบนี้
- สวมอุปกรณ์ป้องกันส่วนบุคคล ทั้งขึ้นอยู่กับการใช้งาน ใช้ที่ป้องกันหน้า แวนตาป้องกันหรือแว่นตาที่จำเป็น เพื่อให้ถูกต้อง สวมหน้ากากกันฝุ่น เครื่อง ป้องกันการได้ยิน ภูมิแพ้และผ้ากันเปื้อนที่สามารถป้องกันเศษชิ้นส่วนการขัด หรือชิ้นงานขนาดเล็กได้ เครื่องป้องกันดวงตาจะต้องสามารถป้องกันเศษชิ้น งานที่ปลิวออกมาจากการทำงานต่างๆ หน้ากากกันฝุ่นหรือเครื่องช่วยหายใจ จะต้องสามารถกรองฝุ่นที่เกิดจากการทำงานของคุณได้ การได้ยินเสียงดัง เป็นเวลานานอาจทำให้เกิดการสูญเสียการได้ยินได้
- ให้คนที่ยืนอยู่ในระยะห่างที่ปลอดภัยจากพื้นที่ทำงาน ทุกคนที่เข้ามาในพื้นที่การทำงานจะต้องสวมใส่อุปกรณ์ป้องกันส่วนบุคคล ชิ้นส่วนของชิ้นงาน หรืออุปกรณ์เสริมที่ชำรุดอาจกระเด็นออกมาและทำให้เกิดการบาดเจ็บ นอกพื้นที่การทำงานโดยตรงได้
- จับเครื่องมือไฟฟ้าโดยจับที่พื้นผิวที่หุ้มฉนวนเท่านั้น เมื่อทำงานในบริเวณ ที่อุปกรณ์ตัดอาจสัมผัสกับสายไฟที่ซ่อนอยู่หรือสายไฟของตัวเอง อุปกรณ์ ตัดที่สัมผัสกับสายไฟ "ที่มีกระแสไฟฟ้ายิ่ง" อาจสัมผัสกับชิ้นส่วนโลหะของ เครื่องมือไฟฟ้า "ที่มีกระแสไฟฟ้ายิ่ง" และอาจทำให้ผู้ใช้งานถูกไฟฟ้าช็อตได้
- วางสายไฟให้พ้นจากอุปกรณ์ที่กำลังหมุน ถ้าคุณสูญเสียการควบคุมสาย ไฟอาจจะถูกตัดหรือขีดข่วนการทำงาน และมีหรือแขนของคุณอาจจะถูก ดึงเข้าไปในอุปกรณ์ที่กำลังหมุน
- ห้ามวางเครื่องมือลงบนกว่าอุปกรณ์หยาบอย่างสมบูรณ์ อุปกรณ์ที่กำลังหมุนอาจคว่ำพื้นผิวและดึงเครื่องมือไฟฟ้าออกจากการควบคุมของคุณ
- อย่าใช้เครื่องมือไฟฟ้าในขณะที่ยืนอยู่ข้างตัวคุณ การสัมผัสอุปกรณ์ที่ กำลังหมุนโดยไม่ได้ใจอาจดึงเสื้อผ้าของคุณ ตัวอุปกรณ์เสริมเข้าใกล้ตัวคุณ

- ห้ามนำความสะอาดของระบายน้ำของเครื่องมือไฟฟ้าอยู่เสมอ พัดลมของ มอเตอร์จะดูดฝุ่นเข้ามาภายในเครื่องและการสะสมที่มากเกินไปของผงโลหะ อาจทำให้เกิดอันตรายจากไฟฟ้าได้
- อย่าใช้เครื่องมือไฟฟ้าใกล้กับวัสดุที่ติดไฟได้ ประกายไฟอาจทำให้วัสดุเหล่านี้ติดไฟได้
- อย่าใช้อุปกรณ์เสริมที่ต้องใช้สารหล่อเย็น การใช้สารหล่อเย็นหรือของเหลวอื่น ๆ ที่อาจส่งผลให้ไฟฟ้าดูดหรือช็อตได้

คำเตือนเกี่ยวกับการติดตั้งและที่เกี่ยวข้อง

การติดตั้งเป็นปฏิกริยาที่เกิดขึ้นทันทีเพื่อหนีบหรือคว่ำไปที่กำลังหมุน แผ่น รองหลัง แปรงหรืออุปกรณ์เสริมอื่น ๆ การหนีบหรือคว่ำอาจเป็นสาเหตุ กาง ความเร็วของอุปกรณ์ที่กำลังหมุน ซึ่งจะทำให้ไม่สามารถควบคุมเครื่องมือ ไฟฟ้าไปในทิศทางตรงข้ามของการหมุนในจุดที่ติดตั้ง

ตัวอย่างเช่น ถ้าใบขัดถูกคว่ำหรือหนีบโดยชิ้นงาน ขอบของใบที่เข้ามาที่จุดหนีบอาจขุดลงไปในพื้นที่ของวัสดุเป็นผลให้ใบไม่ออกหรือตัดออก ในอาจ จะกระโดดหรือออกจากผู้ใช้ซึ่งขึ้นอยู่กับทิศทางของการเคลื่อน ไหวของใบในจุดที่ถูกหนีบ ใบขัดอาจแตกภายใต้สภาวะเหล่านี้

การติดตั้งเป็นผลมาจากการใช้เครื่องมือไฟฟ้าและ / หรือขั้นตอนการใช้ งานหรือสภาวะที่ไม่ถูกต้อง และ สามารถหลีกเลี่ยงได้โดยการป้องกันที่ถูกต้อง ตามรายละเอียดด้านล่างนี้

- จับเครื่องมือไฟฟ้าให้แน่นตลอดเวลาและวางตำแหน่งร่างกายและแขน ของ คุณเพื่อให้สามารถที่จะต้านแรงติดกลับได้ ทหมีให้มากขึ้นให้ข้อมือจับเสริม เหนือ ให้ควบคุมแรงติดกลับได้สูงสุดหรือผลมาจากแรงบิดในระหว่างที่เริ่ม เปิดเครื่อง ผู้ใช้สามารถควบคุมแรงบิดหรือแรงติดกลับได้ หากมีการป้องกัน ไว้ก่อน
- ห้ามวางมือของคุณใกล้กับอุปกรณ์เสริมที่กำลังหมุน อุปกรณ์เสริมอาจติดใส่ มือของคุณได้
- อย่าให้ร่างกายของคุณอยู่ในพื้นที่ที่เครื่องมือไฟฟ้าจะเคลื่อนไหวยาก การติดกลับเกิดขึ้น การติดกลับจะต้านเครื่องมือไปในทิศทางตรงข้ามกับการ เคลื่อนไหวยองงใบตรงจุดที่ติดตั้ง
- ใช้ความระมัดระวังเป็นพิเศษเมื่อทำงานมุม ขอบที่คม ฯลฯ หลีกเลี่ยง การ ทำให้อุปกรณ์เสริมกระดอนและติดขัด มุม ขอบคมหรือการกระเด็นแผ่นแนว โน้มที่จะคว่ำอุปกรณ์ที่กำลังหมุน ก่อให้เกิดการสูญเสีย ความควบคุมหรือติด กลับ
- อย่าติดใบเปลี่ยนสำหรับแกะไม้หรือใบเปลี่ยนแบบมีฟัน ปอยครั้งที่ใบเปลี่ยน ดึงล้าทำให้เกิดการติดกลับและสูญเสียการควบคุม

คำเตือนเรื่องความปลอดภัยสำหรับการเสียบและการตัดแบบขัด โดยเฉพาะ:

- ใช้ใบประเภทที่แนะนำสำหรับเครื่องมือไฟฟ้าของคุณและการป้องกันที่ ออกแบบมาเฉพาะสำหรับใบที่เลือก ใบสำหรับเครื่องมือไม่ได้ออกแบบ มา โดยเฉพาะอาจไม่ได้รับการปกป้องอย่างเพียงพอและไม่มีความปลอดภัย
- ที่ป้องกันต้องติดตั้งกับเครื่องมือไฟฟ้าอย่างหนาแน่นและอยู่ในตำแหน่ง ที่มี ความปลอดภัยสูงสุด อย่างน้อยก็เพื่อให้งานใบที่หันมาทางผู้ใช้มีจำนวน น้อยที่สุด ที่ป้องกันปกป้องผู้ใช้จากเศษที่สัมผัสกับใบ โดยไม่เจตนา และประกายไฟที่อาจจุดชิ้นบนเสื้อผ้า
- ใบต้องใช้สำหรับการใช้งานตามที่แนะนำ ตัวอย่างเช่น ห้ามใช้ด้านข้างของใบตัดกับงานเสียบ ใบสำหรับการตัดแบบขัดมีไว้สำหรับการเสียบ ด้าน นอก การบังคับใช้ด้านข้างกับใบนี้อาจทำให้พวกมันแตกได้
- ใช้หน้าแปลนในที่ที่ไม่เสียหาย มีขนาดและรูปร่างที่ถูกต้องสำหรับใบของคุณอยู่เสมอ หน้าแปลนในที่ที่เหมาะสมช่วยรองรับใบซึ่งช่วยลดโอกาสที่ ใบจะ แตกกลิ้งได้ หน้าแปลนสำหรับใบตัดอาจแตกต่างจากหน้าแปลนใบ เสียบ
- ห้ามใช้ใบที่สึกหรอจากเครื่องมือไฟฟ้าที่มีขนาดใหญ่กว่า ใบสำหรับ เครื่องมือไฟฟ้าขนาดเล็กที่ไม่เหมาะสมสำหรับเครื่องมือที่มีความเร็วสูงกว่า ของ เครื่องมือขนาดเล็ก และอาจระเบิดได้

คำเตือนเรื่องความปลอดภัยเพิ่มเติมสำหรับการใช้การตัดแบบขัด:

- ห้ามให้ใบตัดเกิดการ "ติดขัด" หรือใช้แรงดันมากเกินไป อย่าพยายาม ที่จะ ตัดเพื่อให้เกิดความลึกมากขึ้นไป การออกแรงกดที่ใบมากเกินไปจะเพิ่ม การไหลและความไวต่อการบิดหรือตัดของใบในการตัดและอาจทำให้เกิด การติดกลับหรือใบแตกได้

- อย่าให้ตัวของคุณอยู่ด้านหลังและในแนวเดียวกับใบที่กำลังเคลื่อน ตอน ใบเคลื่อนในจุดที่กำลังเข้าในได้มีการเคลื่อนไหวออกห่างจากตัวคุณ การติดกลับที่อาจเกิดขึ้นอาจดับใบที่กำลังหมุนและเครื่องใช้ไฟฟ้าเข้าหาคุณโดยตรง
- เมื่อใบตัดหรือการตัดถูกขัดจังหวะไม่ว่าด้วยเหตุผลใดก็ตาม ให้ปิดเครื่องมือไฟฟ้าและถือเครื่องมือไฟฟ้าค้างไว้จนกว่าจะหยุดสนิท อย่าพยายาม ที่จะเอาใบตัดออกจากการตัดในขณะที่ใบกำลังเคลื่อนไหว ไม่นั่นอาจ เกิดการติดกลับได้ ตรวจสอบและดำเนินการแก้ไขเพื่อกำจัดสาเหตุที่ทำให้ ใบติด
- ห้ามเปิดเครื่องใหม่ขณะที่ตัดอยู่ในชิ้นงาน ปล่อยให้ใบหมุนถึงความเร็วเต็มที่ก่อน แล้วค่อยๆ เริ่มตัดอีกครั้งอย่างมีระดับๆ ถ้าเปิดเครื่องใหม่ขณะที่ ยังอยู่ในชิ้นงาน ใบอาจติดขัด บด หรือติดกลับ
- หมุนแผงหรือชิ้นงานขนาดใหญ่เพื่อลดความเสี่ยงของการหนีบและติดกลับ ชิ้นงานที่มีขนาดใหญ่มีแนวโน้มที่จะหย่อนลงใต้น้ำหนักของมันเอง ตัว หนูจะต้องอยู่ภายใต้ชิ้นงานที่อยู่ใกล้แนวการตัดและอยู่ใกล้กับขอบของชิ้น งานทั้งสองด้านของใบ
- ใช้ความระมัดระวังเป็นพิเศษเมื่อทำการ "ตัดแบบเจาะช่อง" ในผนังที่มีอยู่ หรือพื้นที่ที่มองไม่เห็นอื่นๆ ใบที่ยื่นออกมาอาจตัดถูกท่อก๊าซหรือหน้า สาย ไฟหรือวัตถุที่อาจทำให้เกิดการติดกลับ

คำเตือนเรื่องความปลอดภัยสำหรับการชดหยาโดยเฉพา:

- ห้ามใช้แผ่นจานกระดาดหยาที่มีขนาดใหญ่เกินไป เลือกกระดาดหยาตามคำแนะนำของผู้ผลิต กระดาดหยาที่มีขนาดใหญ่เกินไปเป็นร่องแผ่นดิน อาจทำให้เกิดอันตรายจากการหนีบขาดและอาจทำให้เกิดการติดขัด แผ่น กระดาดหนักขาดหรือการติดกลับได้

คำเตือนเรื่องความปลอดภัยสำหรับการใช้แปรงลวดโดยเฉพา:

- อย่าลืมว่าขนแปรงลวดจะหลุดออกมาจากแปรงแม้กระทั่งในระหว่างการใช้งานปกติ อย่าสร้างแรงกดกับลวดโดยการออกแรงที่แปรง ขนแปรงลวด สามารถเจาะเสื้อผ้าที่บางและ / หรือผิวหนังได้
- ห้ามมีคำแนะนำให้ให้ป้องกันแปรงลวด อย่าปล่อยให้เกิดการติดขัดกับใบแปรงหรือ ใบลวดหรือแปรงอาจมีเส้นผ่าศูนย์กลางขยายขึ้นเนื่องจาก การ ใช้งานและแรงเหวี่ยง

เครื่องมือไฟฟ้าที่ใช้ในสถานที่ที่แตกหักกันรวมทั้งที่เปิดโล่งควรที่จะเชื่อมต่อกันผ่านอุปกรณ์ป้องกันไฟฟ้ารั่วหรือไฟฟ้าดูด (FI, RCD, PRCD) ขนาด 30mA หรือน้อยกว่า

ขี้เสี้ยนและเศษที่แตกออกมามองต้องไม่ถูกเอาออกไปในขณะที่เครื่องกำลังทำงาน

เสียบเครื่องในเวลาทีเครื่องปิดอยู่เท่านั้น

ไม่เข้าไปในพื้นที่อันตรายของเครื่องในขณะที่มีการทำงาน

ใช้มือจับเสริมอยู่เสมอ

ใช้ผ้าครอบป้องกันอยู่เสมอเมื่อรื้อฟัังดาวและแยก

ปิดเครื่องทันที ในกรณีที่มีการสิ้นส่หรือมากหรือมีการทำงานผิดปกติอัน ๆ เกิดขึ้น ตรวจสอบเครื่องเพื่อหาสาเหตุ

ใช้และจัดเก็บแผ่นฉนวนตามคำแนะนำของผู้ผลิตอยู่เสมอ

ตอนที่เจียรโลหะ จะเกิดประกายไฟขึ้น ตรวจสอบดูว่าไม่มีใครได้รับอันตรายเนื่องจากอันตรายของไฟไหม้ ไม่ควรมีสวิตช์ตัดไฟที่อยู่ในบริเวณใกล้เสียง (โซนประกายไฟ) อย่าใช้ที่สัคฝุ่น

ควรมีการระมัดระวังตามความเหมาะสมว่าไม่มีประกายไฟหรือเศษผงจาก กระดาดหยาปลิวมาจากชิ้นงานที่เข้ามาสัมผัสกับคุณ

เมื่อแยกชิ้นต้องสวมรองเท้าตามที่คุณมีแนะนำ!

ต้องขจัดนิ่วให้แน่นก่อนที่จะเริ่มทำงานกับเครื่อง

ชิ้นงานจะต้องได้รับการแก้ไขก่อนหนักไม่พอให้เกิดความคงที่ ห้ามนำชิ้นงานไปยังแผ่นฉนวนด้วยมือของคุณเอง

ภายใต้สภาวะรุนแรง (เช่น การขัดโลหะเรียบด้วยแกนและโบริดเส้นใยหลอมโลหะ) สามารถก่อให้เกิดการปนเปื้อนขึ้นที่ด้านในของมุมเครื่องเจียรอย่างเห็นได้ชัด ด้วยเหตุผลทางด้านความปลอดภัย ในสภาวะดังกล่าว ภายในแหล่งโลหะควรได้รับการทำความสะอาดอย่างละเอียดและหากเกิดมอเตอร์เซอร์กิตเบรกเกอร์หริบ จะต้องส่งเครื่องไปซ่อม

สำหรับอุปกรณ์เสริมที่ติดตั้งจะติดตั้งกับใบมีกรเลียว ตรวจสอบให้แน่ใจว่าสายในใบมีความยาวเพียงพอสำหรับความยาวของแกนหมุน

ใช้การป้องกันความปลอดภัยจากระยะอุปกรณ์เสริมเมื่อทำการตัดงาน

เงื่อนไขที่ระบุไว้ในการใช้

เครื่องเจียรมุมอาจจะใช้สำหรับการตัด เจียร ชัดหยาและแปรงลวดกับวัสดุที่หลากหลาย เช่น โลหะหรือหิน หากคุณมีข้อสงสัยใด ๆ โปรดดูคำแนะนำที่ ี่ มาโดยผู้ผลิตอุปกรณ์เสริม

อย่าใช้ผลิตภัณฑ์นี้ในลักษณะอื่นนอกเหนือไปจากที่ระบุไว้สำหรับการใช้งาน ปกติ

อิเล็กทรอนิกส์

อิเล็กทรอนิกส์ที่อยู่ภายใน จะให้ความเร็วคงที่แม้ภายใต้การโหลดที่เพิ่มขึ้น

ในกรณีที่โหลดมากเกินไป ความเร็วในการหมุนจะถูกลดลงจนกว่าเครื่องจะหยุด

โปรดจำไว้ว่าผลิตภัณฑ์จะกลับไปเร่งความเร็วในการทำงานเดิมโดยอัตโนมัติหาก การโหลดถูกเอาออกจากเครื่อง

หลังจากที่ความเร็วในระดับการทำงานของมัน ผลิตภัณฑ์มีความพร้อมในการ ใช้งานอีกครั้ง

ป้องกันเครื่องติดเอง

สวิตช์แรงดันไฟฟ้าเป็นคุณสมบัติช่วยป้องกันเครื่องจากการเริ่มทำงานใหม่ หลังจากทีตัดไฟ (เปลี่ยนแบตเตอรี่) ในการให้เครื่องกลับมาทำงานอีก ครั้ง ให้ปิดสวิตช์เครื่องแล้วเปิดอีกครั้ง

เริ่มต้นอย่างราบรื่น

การเริ่มเครื่องใช้ไฟฟ้าได้อย่างราบรื่นเพื่อการใช้อย่างปลอดภัยช่วย ป้องกันการรั่วกระแสของเครื่อง

แบตเตอรี่

ควรชาร์จไฟใหม่ก่อนใช้งานหากไม่ได้ใช้ชุดแบตเตอรี่เป็นเวลานาน

ประสิทธิภาพของชุดแบตเตอรี่จะลดลง หากอุณหภูมิสูงกว่า 50°C (122°F) หลีกเลี่ยงไม่ให้ถูกแสงแดดหรือความร้อนเป็นเวลานาน (เสี่ยงต่อความร้อนเกิน)

ต้องหมั่นดูแลความสะอาดหน้าสัมผัสตัวชาร์จกับชุดแบตเตอรี่

เพื่อยืดอายุการใช้งาน ควรชาร์จแบตเตอรี่ให้เต็มหลังการใช้งาน

เพื่อรักษาอายุแบตเตอรี่ให้นานที่สุด ให้ถอดชุดแบตเตอรี่ออกจากตัวชาร์จเมื่อชาร์จไฟเต็ม

สำหรับชุดแบตเตอรี่ที่ต้องการเก็บไว้มากกว่า 30 วัน:

- เก็บชุดแบตเตอรี่ไว้ที่อุณหภูมิต่ำกว่า 27°C และหลีกเลี่ยงความชื้น
- เก็บชุดแบตเตอรี่ไว้ที่ประจุ 30% - 50%

ให้ชาร์จแบตเตอรี่ตามปกติทุกเดือนที่เก็บ

คำเตือนเพิ่มเติมเกี่ยวกับความปลอดภัยของแบตเตอรี่

⚠ คำเตือน! วิถีความเสี่ยงในการเกิดไฟไหม้ การบาดเจ็บส่วนบุคคลและความเสียหายต่อผลิตภัณฑ์ จากการลัดวงจร อย่างุ่มเครื่องมือ ก่อนแบตเตอรี่ หรือเครื่องชาร์จไฟลงในของเหลวหรือปล่อยให้ของเหลวซึมเข้าสู่ภายใน ของเหลวที่มีฤทธิ์กัดกร่อนหรือมาไฟฟ้ามักก่อให้เกิดการลัดวงจรได้ เช่น น้ำทะเล สารเคมีทางอุตสาหกรรมบางชนิด และผลิตภัณฑ์ฟอกสีหรือมีส่วนผสมการฟอกสี เป็นต้น

การขนส่งแบตเตอรี่ลิเทียม

แบตเตอรี่ลิเทียมไอออนถูกควบคุมโดยกฎหมายว่าด้วยสินค้าที่มีอันตราย การขนส่งแบตเตอรี่เหล่านี้ต้องกระทำตามกฎระเบียบและข้อบังคับของท้องถิ่น ของประเทศ และระหว่างประเทศ

- ผู้ใช้สามารถขนส่งแบตเตอรี่ทางถนนได้โดยไม่มีข้อกำหนดใดๆ เพิ่มเติม
- การขนส่งแบตเตอรี่ลิเทียม ไอออนเชิงพาณิชย์โดยนิติบุคคลอื่นต้องดำเนินการภายใต้กฎระเบียบว่าด้วยสินค้าที่มีอันตราย การเตรียมการขนส่งและการขนส่งต้องดำเนินการโดยบุคลากรที่ผ่านการฝึกอบรมมาแล้วเท่านั้น และในระหว่างดำเนินการต้องมีผู้เชี่ยวชาญที่เกี่ยวข้องคอยกำกับดูแล

ขณะขนส่งแบตเตอรี่:

- โปรดตรวจสอบให้แน่ใจว่าขั้วสัมผัสของแบตเตอรี่ได้รับการปกป้องและติดตั้งฉนวนเพื่อป้องกันการลัดวงจร
- ตรวจสอบให้แน่ใจว่าก่อนแบตเตอรี่ได้รับการปกป้องอย่างแน่นหนาอยู่ในบรรจุภัณฑ์
- ห้ามเคลื่อนย้ายแบตเตอรี่ที่แตกหรือรั่ว

โปรดขอคำแนะนำเพิ่มเติมจากทางบริษัทขนส่ง

การบำรุงรักษา

ช่วงระยะเวลาอากาศของเครื่องจะต้องโล่งตลอดเวลา

ใช้อุปกรณ์เสริมและชิ้นส่วนอะไหล่ MILWAUKEE เท่านั้น หากต้องการเปลี่ยนชิ้นส่วนที่ยังไม่ได้รับการระบุ กรุณาติดต่อหนึ่งในตัวแทนบริการของ MILWAUKEE (ดูรายชื่อที่อยู่ศูนย์รับประกัน / บริการ)

หากมีความจำเป็น สามารถส่งมุมมองการระเบิดของเครื่องมือได้ โปรดระบุหมายเลขสัญญา รวมถึงชนิดของเครื่องที่พิมพ์อยู่บนฉลาก และส่งชื่อหนังสือที่ ตัวแทนบริการในท้องถิ่นของคุณ

เครื่องหมาย



คำเตือน!



โปรดอ่านคำแนะนำอย่างละเอียดก่อนที่ใช้เครื่อง



สวมแว่นตาเมื่อใช้เครื่องเสมอ



สวมถุงมือ



ถอดชุดก่อนแบตเตอรี่ก่อนที่จะเริ่มการทำงานใดๆ



ห้ามใช้ขั้วสับ



อุปกรณ์เสริม - ไม่รวมอยู่ในอุปกรณ์มาตรฐาน ที่จำหน่ายเป็นอุปกรณ์เสริม



สำหรับการตัดเท่านั้น






สำหรับการเจียรเท่านั้น



อย่าทิ้งเครื่องมือไฟฟ้าร่วมกับขยะในครัวเรือน เครื่องมือไฟฟ้าและอุปกรณ์อิเล็กทรอนิกส์ทั้งหมดอายุใช้งานแล้วจะต้องเก็บแยก กันและส่งกลับไปยังสถานีรีไซเคิลเพื่อสิ่งแวดล้อม ตรวจสอบกับผู้จำหน่ายในท้องถิ่นของคุณหรือร้านค้าปลีกสำหรับคำแนะนำ ในการรีไซเคิลและจุดเก็บรวบรวม



ระดับ II การก่อสร้าง เครื่องมือที่ป้องกันไฟฟ้าช็อกไม่ พังพานานขึ้นพื้นฐานเท่านั้น แต่เพื่อเป็นการระวัง ความปลอดภัยเพิ่มเติม ควรเตรียมฉนวนกันความร้อน หน้าสองชั้นหรือฉนวนเสริมให้

DATA TEKNIKAL	M18 CAG100X	M18 CAG100XPDB
Voltan bateri	18 V	18 V
Kelajuan	8500 min ⁻¹	8500 min ⁻¹
D = Diameter maksimal keping gerinda	100 mm	100 mm
d = Diameter lubang keping gerinda	16,0 mm	16,0 mm
 b = Pemotongan disk ketebalan min. / maksimum 1 / 2	1 / 2,5 mm	1 / 2,5 mm
 b = Ketebalan maksimal keping gerinda	6 mm	6 mm
 D = Diameter maksimal sikat kawat	75 mm	75 mm
Fungsi pengereman elektronik	TIDAK	YA
Ulir spindel kerja	M10	M10
Berat tanpa baterai	1,9 kg	1,9 kg
Berat mengikut Prosedur EPTA 01/2003	2,6 kg	2,6 kg
Maklumat hingar/getaran		
Nilai yang diukur ditentukan mengikut EN 60745. Biasanya, paras hingar dengan berat A bagi alat ialah:		
Paras tekanan bunyi (K = 3 dB(A))	83,7 dB(A)	78,9 dB(A)
Paras kuasa bunyi ((K = 3 dB(A))	94,7 dB(A)	89,9 dB(A)
Pakai pelindung telinga!		

PERINGATAN

Tingkat pemuangan getaran diberikan dalam lembar informasi ini telah diukur sesuai dengan tes standar yang diberikan dalam EN 60745 dan dapat digunakan untuk membandingkan satu alat dengan yang lain. Ini dapat digunakan untuk penilaian awal paparan. Tingkat pemuangan getaran dinyatakan merupakan aplikasi utama produk. Namun, jika produk digunakan untuk aplikasi yang berbeda, dengan aksesori yang berbeda atau kurang terpelihara, pemuangan getaran mungkin berbeda. Hal ini dapat secara signifikan meningkatkan tingkat paparan selama total periode bekerja.

Estimasi tingkat paparan getaran juga harus memperhitungkan saat produk dimatikan atau saat berjalan tetapi tidak benar-benar melakukan pekerjaan. Hal ini dapat secara signifikan mengurangi tingkat paparan selama total periode bekerja.

Mengidentifikasi langkah-langkah keamanan tambahan untuk melindungi operator dari efek getaran seperti: merawat produk dan aksesori, menjaga tangan hangat, organisasi pola kerja.



Baca semua amaran keselamatan dan semua arahan, termasuk yang diberikan dalam brosur yang disertakan. Gagal mematuhi amaran dan arahan boleh menyebabkan kejutan elektrik, kebakaran dan/atau kecederaan serius.

Simpan semua amaran dan arahan untuk rujukan pada masa hadapan.

ARAHAN KESELAMATAN

Peringatan Keselamatan Umum untuk Operasi Gerinda, Pengampelasan, Sikat Kawat, atau Pemotongan Abrasif:

- a) Perkakas listrik ini dimaksudkan berfungsi sebagai alat gerinda, pengampelasan, sikat kawat, atau pemotongan. Baca semua peringatan keselamatan, instruksi, ilustrasi, dan spesifikasi yang disertakan dengan perkakas listrik ini. Jika tidak mematuhi semua instruksi yang tercantum di bawah ini dapat terjadi kejutan listrik, kebakaran, dan/atau cedera parah.
- b) Operasi seperti pemolesan tidak direkomendasikan untuk dilakukan dengan perkakas listrik ini. Operasi yang bukan merupakan fungsi dari perkakas listrik ini dapat menimbulkan bahaya dan menyebabkan cedera diri.
- c) Jangan gunakan aksesoris yang tidak secara khusus didesain dan direkomendasikan oleh produsen alat ini. Meskipun aksesoris tersebut bisa dipasang di perkakas listrik Anda, tidak berarti menjamin operasi yang aman.
- d) Kecepatan nominal aksesoris harus minimal sama dengan kecepatan maksimal yang tertera di perkakas listrik ini. Aksesoris yang beroperasi lebih cepat daripada kecepatan nominalnya bisa rusak dan terbelah.
- e) Diameter luar dan ketebalan aksesoris Anda harus di dalam rating kapasitas perkakas listrik Anda. Aksesoris yang ukurannya tidak tepat tidak dapat dijaga atau dikontrol secara memadai.
- f) Ukuran poros roda, flensa, bantalan pelindung, atau aksesoris lain harus pas dengan spindle perkakas listrik ini. Aksesoris dengan lubang poros yang tidak cocok dengan perangkat keras tempelan dari perkakas listrik akan beroperasi tidak seimbang, bergetar hebat, dan dapat menyebabkan hilangnya kontrol.
- g) Jangan gunakan aksesoris rusak. Sebelum digunakan, periksa aksesoris, misalnya roda abrasif apakah ada yang pecah atau retak, bantalan pelindung apakah ada yang retak, koyak atau aus parah, sikat kawat apakah ada kawat yang longgar atau retak. Jika perkakas listrik atau aksesoris terjatuh, periksa kerusakan atau pasang aksesoris yang tidak rusak. Setelah memeriksa dan memasang aksesoris, jauhkan diri Anda dan orang di sekitar jauh dari bidang aksesoris yang berputar dan jalankan perkakas listrik pada kecepatan tanpa-beban maksimal selama satu menit. Aksesoris rusak biasanya akan pecah selama waktu pengujian ini.
- h) Kenakan perangkat pelindung diri. Tergantung aplikasinya, gunakan pelindung wajah, kacamat keselamatan kerja, atau pelindung mata. Jika sesuai, kenakan masker debu, pelindung pendengaran, sarung tangan, dan apron bengkel yang mampu menghalau potongan atau pecahan abrasif. Pelindung mata harus mampu menghalau serpihan yang beterbangan akibat berbagai operasi. Masker debu atau respirator harus mampu menghalau partikel akibat operasi Anda. Terlalu lama terpapar suara bising tingkat tinggi dapat menyebabkan hilangnya pendengaran.
- i) Jaga orang di sekitar tetap di jarak aman jauh dari area kerja. Siapa pun yang masuk area kerja harus mengenakan perangkat pelindung diri. Pecahan benda kerja atau aksesoris yang rusak dapat terlontar dan menyebabkan cedera jauh dari area operasi.
- j) Pegang perkakas listrik hanya dari permukaan pegangan berisolasi, saat melakukan operasi di mana aksesoris pemotong mungkin menyentuh perkabelan tersembunyi atau kabelnya sendiri. Aksesoris pemotong yang bersentuhan dengan kabel "bertegangan" dapat membuat komponen logam perkakas listrik yang menonjol menjadi "bertegangan" dan dapat membuat operator tersengat listrik.
- k) Posisikan kabel bebas dari aksesoris putar. Jika Anda hilang kendali, kabel dapat terpotong atau terkoyak dan tangan atau lengan Anda dapat tertarik ke aksesoris yang berputar.
- l) Jangan pernah meletakkan perkakas listrik hingga aksesoris benar-benar berhenti. Aksesoris yang berputar dapat menggerus permukaan dan menyebabkan perkakas listrik lepas dari kontrol Anda.
- m) Jangan operasikan perkakas listrik saat membawanya di samping tubuh Anda. Kontak tidak sengaja dengan aksesoris yang berputar dapat merenggut pakaian Anda, menyebabkan aksesoris menggerus tubuh Anda.
- n) Bersihkan ventilasi udara perkakas listrik secara teratur. Kipas motor akan menimbulkan debu di dalam kerangka dan logam yang tertimbun debu yang begitu tebal dapat

menyebabkan bahaya kejutan listrik.

o) Jangan operasikan perkakas listrik dekat material mudah terbakar. Bunga api dapat menyalaakan material tersebut.

p) Jangan gunakan aksesoris yang membutuhkan cairan pendingin. Menggunakan air atau cairan pendingin lainnya dapat berakibat kematian karena kejutan listrik.

Pembalikan Arah dan Peringatan Terkait

Pembalikan arah merupakan reaksi mendadak terhadap roda putar, bantalan pelindung, sikat, atau aksesoris lain yang terjepit atau terhambat. Jepitan atau hambatan menyebabkan aksesoris yang berputar macet yang pada gilirannya menyebabkan perkakas listrik yang tak terkontrol dipaksa dalam arah yang berlawanan putaran aksesoris di titik sambungan.

Misalnya, jika roda abrasif terjepit atau terhambat karena potongan benda kerja, tepian roda yang terbelit dalam titik hambatan bisa menggerus permukaan material yang menyebabkan roda terdesak keluar atau berbalik arah. Roda dapat melompat atau menjauh dari operator, tergantung arah gerakan roda di titik jepitan. Roda abrasif dapat juga patah dalam kondisi tersebut.

Pembalikan arah merupakan hasil salah pakai perkakas listrik dan/atau prosedur atau kondisi pengoperasian yang salah dan bisa dihindari dengan mengambil langkah-langkah pencegahan di bawah ini.

- a) Selalu genggam kuat-kuat perkakas listrik dan posisikan badan dan lengan Anda sehingga Anda bisa menahan kekuatan pemalihan arah. Selalu gunakan gagang bantu, jika disediakan, untuk kontrol maksimal atas pemalihan arah atau reaksi torsi selama pengawalan. Operator bisa mengontrol reaksi torsi atau kekuatan pemalihan arah, jika langkah pencegahan diterapkan.
- b) Jangan pernah letakkan tangan Anda dekat aksesoris putar. Aksesoris dapat berbalik arah melampaui tangan Anda.
- c) Jangan posisikan badan Anda di area di mana perkakas listrik akan bergerak jika terjadi pemalihan arah. Pemalihan arah akan mendorong alat dalam arah yang berlawanan gerakan roda di titik sumbatan.
- d) Berhati-hatilah saat menangani sudut, tepian tajam, dsb. Hindari memantulkan dan menghambat aksesoris. Sudut, tepian tajam, atau pantulan memiliki kecenderungan menyumbat aksesoris putar dan menyebabkan hilangnya kontrol atau pemalihan arah.
- e) Jangan pasang mata pisau pengukir kayu rantai gergaji atau mata pisau gergaji bergigi. Mata pisau semacam itu sering menimbulkan pemalihan arah dan hilangnya kontrol.

Peringatan Keselamatan yang Spesifik untuk Operasi Gerinda dan Pemotongan Abrasif:

- a) Gunakan hanya jenis roda yang direkomendasikan untuk perkakas listrik Anda dan pengaman spesifik yang dirancang untuk roda yang dipilih. Roda yang tidak dirancang untuk perkakas listrik terkait tidak bisa secara memadai terlindungi dan tidak aman.
- b) Pengaman harus terpasang secara aman ke perkakas listrik dan diposisikan untuk keselamatan maksimal, sehingga sangat minimal terpapar ke arah operator. Pengaman membantu melindungi operator dari potongan roda yang patah, kontak tidak sengaja dengan roda, dan bunga api yang dapat membakar pakaian.
- c) Roda hanya boleh digunakan untuk aplikasi yang direkomendasikan. Misalnya: jangan menggerinda dengan bagian samping roda pemotongan. Roda pemotongan abrasif dimaksudkan untuk gerinda perifer, kekuatan samping yang diberikan pada roda tersebut dapat menyebabkannya hancur.
- d) Selalu gunakan flensa roda yang tidak rusak dengan ukuran dan bentuk tepat untuk roda pilihan Anda. Flensa roda yang sesuai mendukung roda, sehingga mengurangi kemungkinan patahnya roda. Flensa untuk roda pemotongan dapat berbeda dari flensa roda gerinda.
- e) Jangan gunakan roda yang telah aus dari perkakas listrik yang lebih besar. Roda yang ditunjukkan untuk perkakas listrik yang lebih besar tidak cukup untuk kecepatan tinggi alat yang lebih kecil dan dapat hancur.

Peringatan Keselamatan Tambahan yang Spesifik untuk Operasi Pemotongan Abrasif:

- a) Jangan "paksa" roda pemotongan atau menekan terlalu keras. Jangan coba membuat lubang pemotongan terlalu dalam. Terlalu menekan roda meningkatkan beban dan rentan terhadap terbelit atau tersangkutnya roda saat pemotongan dan kemungkinan pemalihan arah atau patahnya roda.

b) Jangan posisikan badan Anda sejajar dengan dan di belakang roda berputar. Saat roda, pada titik operasi, bergerak menjauhi badan Anda, kemungkinan pembalikan arah dapat mendorong roda putar dan perkakas listrik langsung ke arah Anda.

c) Saat roda tersangkut atau saat menghentikan pemotongan karena sesuatu hal, matikan perkakas listrik dan jaga perkakas listrik tidak bergerak hingga roda benar-benar berhenti. Jangan sekali-kali mencoba melepas roda pemotongan dari pemotongan saat roda sedang bergerak, jika tidak dapat terjadi pembalikan. Selidiki dan lakukan tindakan perbaikan untuk mengatasi sebab tersangkutnya roda.

d) Jangan memulai lagi operasi pemotongan di benda kerja. Biarkan roda mencapai kecepatan penuh dan perlahan-lahan lakukan lagi pemotongan. Roda dapat tersangkut, terkungkung, atau berbalik arah jika perkakas listrik dinyalakan lagi di benda kerja.

e) Topang panel atau benda kerja yang ukurannya terlalu besar untuk meminimalkan risiko roda tersangkut dan pembalikan arah. Benda kerja yang besar cenderung turun karena beratnya sendiri. Penopang harus ditempatkan di bawah benda kerja dekat garis pemotongan dan dekat tepian benda kerja di kedua sisi roda.

f) Harus ekstra hati-hati saat membuat "potongan saku" di dinding yang ada atau area buta lainnya. Roda yang menonjol dapat memotong pipa gas atau air, perkabelan listrik, atau benda yang dapat menyebabkan pembalikan arah.

Peringatan Keselamatan yang Spesifik untuk Operasi Pengampelasan:

a) Jangan gunakan kertas cakram pengampelasan yang ukurannya jauh terlalu besar. Ikuti rekomendasi produsen, saat memilih kertas ampelas. Kertas ampelas besar yang melampaui ukuran bantalan ampelas menimbulkan bahaya robek dan dapat menyebabkan cakram terhambat atau terkoyak atau berbalik arah.

Peringatan Keselamatan yang Spesifik untuk Operasi Sikat Kawat:

a) Pastikan bulu-bulu kawat tersapu sikat bahkan selama operasi biasa. Jangan terlalu menekan kawat dengan memberikan beban terlalu besar pada sikat. Bulu-bulu sikat bisa dengan mudah menembus pakaian tipis dan/atau kulit.

b) Jika penggunaan pengaman direkomendasikan untuk sikat kawat, jangan biarkan terjadi interferensi roda atau sikat kawat dengan pengaman. Roda atau sikat kawat dapat memanjing diameternya karena beban kerja dan kekuatan sentrifugal.

Perabotan yang digunakan di lokasi berbeda termasuk udara terbuka sebaiknya disambungkan melalui perangkat arus residual (FI, RCD, PRCD) sebesar 30mA atau kurang.

Serbuk dan sisa-sisa yang terjebak tidak boleh dibuang saat mesin sedang beroperasi.

Hanya colokkan ke stopkontak saat mesin dimatikan.

Jangan sekali-kali menyentuh area bahaya dari mesin saat sedang beroperasi.

Selalu gunakan gagang bantu.

Selalu gunakan tutup pelindung saat mengasahkan dan memisahkan.

Segera matikan mesin jika terjadi getaran hebat atau jika terjadi malafungsi. Periksa mesin untuk mengetahui penyebabnya.

Selalu gunakan dan simpan cakram gerinda sesuai dengan instruksi produsen.

Saat menggerinda logam, dapat terbentuk bunga api. Pastikan tak seorang pun dalam bahaya. Karena bahaya kebakaran, jangan sampai ada material mudah terbakar di sekitarnya (kawasan percikan bunga api). Jangan gunakan ekstraksi debu.

Pastikan dengan cermat tidak ada bunga api atau debu gerinda dari benda kerja yang bersentuhan dengan Anda.

Saat memisahkan batu, harus digunakan alas pandu!

Sekrup penyesuai harus dikencangkan sebelum mulai bekerja dengan mesin.

Benda kerja harus dikencangkan jika tidak cukup berat menjadi kokoh. Pastikan atur benda kerja ke cakram gerinda dengan tangan.

Dalam kondisi ekstrem (mis., logam yang digerinda pelan dengan poros dan roda gerinda serat vulkanisir), kontaminasi dalam jumlah banyak bisa terbentuk di dalam gerinda sudut. Demi keselamatan, dalam kondisi tersebut bagian dalam sebaiknya dibersihkan seluruhnya dari deposit logam dan pemutus sirkuit motor harus tersambung secara seri. Jika pemutus sirkuit motor terbelit, mesin harus dikirim untuk diperbaiki.

Untuk aksesoris yang ditujukan untuk dipasang dengan roda lubang berulir, pastikan ulir dalam roda cukup panjang untuk menerima panjang spindle.

Gunakan pengaman keselamatan dari pilihan aksesoris saat melakukan kerja pemotongan.

SYARAT PENGGUNAAN YANG DIKHUSUSKAN

Gerinda sudut dapat digunakan untuk memotong, menggerinda, mengampelas, dan sikat kawat berbagai material, seperti logam atau batu. Jika Anda ragu, harap baca instruksi yang disertakan oleh produsen aksesoris.

Jangan gunakan produk ini dengan cara selain daripada yang dinyatakan untuk kegunaan biasa.

ELEKTRONIK

Elektronik bawaan akan menjaga kecepatan yang konstan bahkan pada beban yang ditingkatkan.

Apabila kelebihan beban, kecepatan rotasi berkurang sampai produk berhenti.

Mesin memiliki fungsi keamanan kelebihan beban dan anti-bantingan jika kelebihan beban.

Perhatikan bahwa produk secara otomatis akan mengakselerasi kembali ke kecepatan pengoperasian awalnya jika beban diambil darinya.

Setelah mencapai kecepatan pengoperasiannya, produk siap digunakan lagi.

MULAI ULANG POTONGAN

Sakelar nol-tegangan mencegah mesin start kembali setelah pemutusan arus (penggantian baterai) Untuk melanjutkan pekerjaan, matikan mesin lalu hidupkan kembali.

Untuk melanjutkan pekerjaan, matikan mesin lalu hidupkan kembali.

BATERI

Paket baterai yang belum digunakan selama beberapa waktu harus diisi kembali dayanya sebelum digunakan.

Suhu yang melebihi 50°C (122°F) mengurangi kinerja paket baterai. Hindari paparan berkepanjangan terhadap panas atau sinar matahari (risiko panas berlebihan).

Kontak pengisi daya dan paket baterai harus dijaga kebersihannya.

Untuk masa pemakaian optimal, paket baterai harus diisi dayanya hingga penuh setelah digunakan.

Untuk memaksimalkan masa pemakaian baterai, lepaskan paket baterai dari pengisi daya setelah terisi penuh.

Untuk penyimpanan paket baterai lebih dari 30 hari:

- Simpan paket baterai di tempat dengan suhu berada di bawah 27°C dan jauhkan dari kelembapan.
- Simpan paket baterai dalam kondisi terisi dayanya 30% - 50%.

Jika penyimpanan paket baterai mencapai enam bulan, isi daya baterai seperti biasa.

PERINGATAN KESELAMATAN BATERAI TAMBAHAN

⚠ PERINGATAN! Untuk mengurangi risiko kebakaran, cedera pribadi, dan kerusakan produk akibat hubungan arus pendek, jangan pernah merendam alat, baterai atau charger Anda dalam cairan atau membiarkan cairan mengalir di dalamnya. Cairan korosif atau konduktif, seperti air laut, bahan kimia industri tertentu, dan produk pemutih atau yang mengandung pemutih, dan sebagainya, dapat menyebabkan hubungan arus pendek.

PENGANGKUTAN BATERAI LITIUM

Baterai Litium-ion diatur khusus oleh ketentuan Undang-Undang Barang Berbahaya. Pengangkutan baterai ini harus dilakukan sesuai regulasi dan peraturan daerah, nasional, dan internasional.

- Pengguna dapat membawa baterai melalui jalan darat tanpa persyaratan lebih lanjut.
- Pengangkutan baterai Litium-ion oleh pihak ketiga harus dilakukan sesuai peraturan Barang Berbahaya. Persiapan pengangkutan dan pengangkutan harus dilakukan oleh orang yang terlatih dan prosesnya harus didampingi oleh pakar terkait.

Saat mengangkat baterai:

- Pastikan terminal kontak baterai terlindungi dan terinsulasi untuk mencegah terjadinya korsleting.
- Pastikan paket baterai aman dari pergerakan di dalam kemasan.
- Jangan mengangkat baterai yang retak atau bocor.

Tanyakan kepada perusahaan ekspedisi untuk mendapatkan saran lebih lanjut.

PEMELIHARAAN

Slot ventilasi produk tidak boleh tertutup sepanjang waktu.

Jika kabel listrik dari alat listrik ini rusak, kabel harus diganti dengan kabel yang disiapkan secara khusus dan tersedia melalui pusat layanan.

Gunakan hanya aksesoris MILWAUKEE dan suku cadang MILWAUKEE. Jika komponen yang belum dijelaskan perlu diganti, silakan hubungi agen servis MILWAUKEE.

Bila perlu, tampilan alat yang dibongkar dapat dipesan. Sebutkan no. artikel serta tipe mesin yang tercetak pada label dan pesan gambarnya di agen servis terdekat Anda.

SIMBOL



PERHATIAN! PERINGATAN! BAHAYA!



Sila baca arahan dengan teliti sebelum memulakan mesin.



Sentiasa pakai gogal semasa menggunakan mesin.



Gunakan sarung tangan!



Keluarkan pek bateri sebelum memulakan sebarang kerja pada mesin.



Jangan gunakan tenaga.



Aksesori - Tidak disertakan dalam peralatan standard, tersedia sebagai aksesori.



Untuk hanya pemotong



Untuk gerinda hanya



Jangan membuang perkakas listrik bersama dengan material limbah rumah tangga. Perkakas listrik dan peralatan elektronik yang telah mencapai akhir masa pakainya harus dikumpulkan secara terpisah dan dikembalikan ke fasilitas daur ulang yang ramah lingkungan. Tanyakan kepada otoritas atau penyalur setempat mengenai daur ulang dan titik pengumpulan.



Pembinaan Kelas II, alat yang perlindungan daripada kejutan elektrik tidak bergantung kepada penebatan asas sahaja, tetapi apabila langkah berjagajaga keselamatan tambahan, seperti penebatan berganda atau penebatan diperkukuhkan, disediakan.





